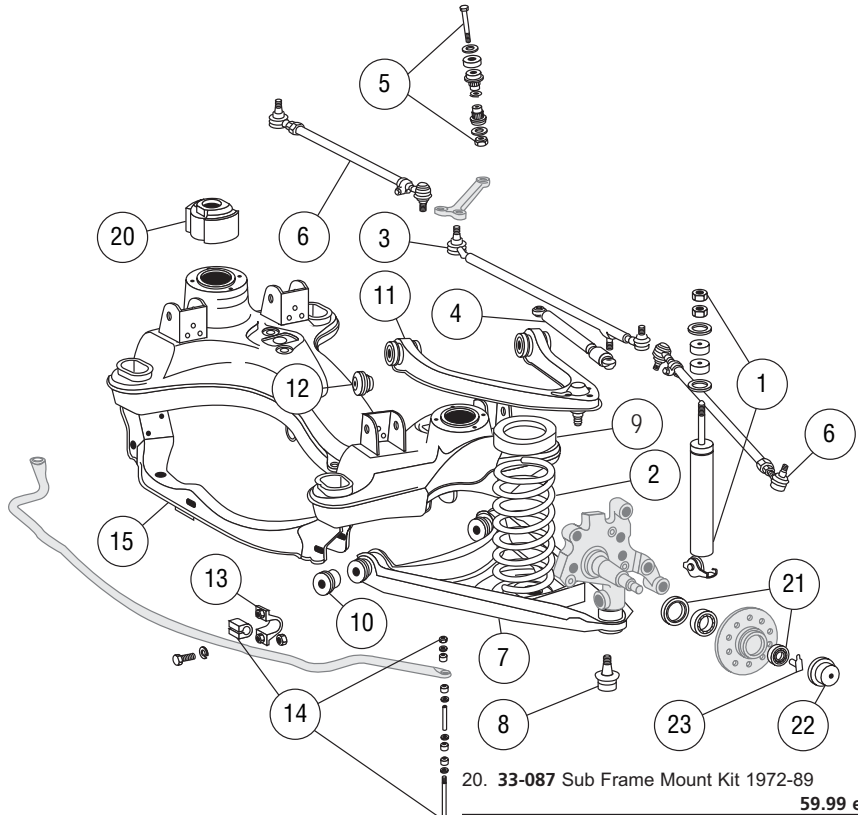


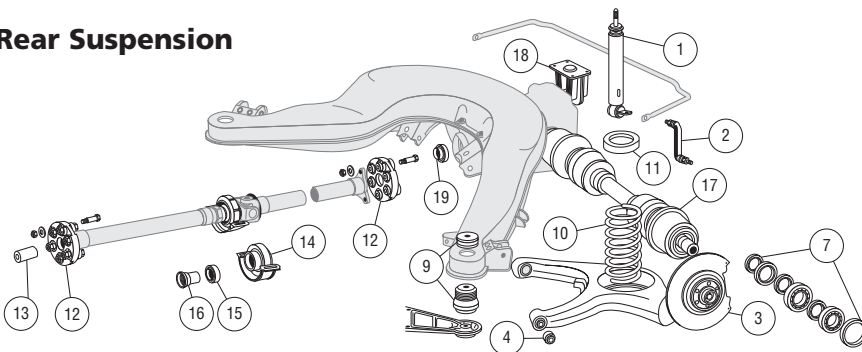
## Front Suspension

- |  |                    |
|--|--------------------|
| 1. 32-060 Shock Absorber 1972-89<br>Bilstein, All Models To '85  | <b>98.99 ea.</b>   |
| 1. 32-060A Shock Absorber 1972-89<br>Boge, All Models To '85     | <b>77.99 ea.</b>   |
| 1. 32-073 Shock Absorber 1972-89<br>Bilstein, 560SL              | <b>104.99 ea.</b>  |
| 2. 32-088 Coil Spring 1972-89                                    | <b>99.99 ea.</b>   |
| 3. 46-042 Drag Link 1972-89                                      | <b>34.99 ea.</b>   |
| 4. 46-002 Steering Damper 1972-89                                | <b>34.99 ea.</b>   |
| 5. 46-006 Idler Arm Repair Kit<br>1972-89                        | <b>15.99 ea.</b>   |
| 6. 33-046 Tie Rod 1972-89, Left Or Right<br>All Models To '85    | <b>36.99 ea.</b>   |
| 6. 33-047 Tie Rod 1972-89, Left Or Right,<br>560SL               | <b>36.99 ea.</b>   |
| 7. 33-082 Lower Control Arm 1972-89<br>Left, All Models To '85   | <b>1199.99 ea.</b> |
| 7. 33-083 Lower Control Arm 1972-89<br>Right, All Models To '85  | <b>1119.99 ea.</b> |
| 7. 33-090 Lower Control Arm 1972-89<br>Left, 560SL               | <b>1099.99 ea.</b> |
| 7. 33-091 Lower Control Arm 1972-89<br>Right, 560SL              | <b>1099.99 ea.</b> |
| 8. 33-056 Ball Joint 1972-89<br>All Models To '85                | <b>38.99 ea.</b>   |
| 8. Ball Joint 1972-89, 560SL<br>33-045 Original                  | <b>19.99 ea.</b>   |
| 33-045U Aftermarket  | <b>12.99 ea.</b>   |
| 9. 32-119 Spring Pad 1972-89<br>From                             | <b>9.99 ea.</b>    |
| 10. 33-051 Bushing Kit 1972-89<br>Lower Control Arm              | <b>39.99 ea.</b>   |
| 11. 33-048 Upper Control Arm 1972-89<br>Left, All Models To '85  | <b>139.99 ea.</b>  |
| 11. 33-084 Upper Control Arm 1972-89<br>Left, 560SL              | <b>489.99 ea.</b>  |
| 11. 33-049 Upper Control Arm 1972-89<br>Right, All Models To '85 | <b>119.99 ea.</b>  |



- |  |                    |
|--|--------------------|
| 11. 33-085 Upper Control Arm 1972-89<br>Right, 560SL               | <b>489.99 ea.</b>  |
| 12. 33-052 Bushing Kit 1972-89<br>Upper Control Arm                | <b>39.99 ea.</b>   |
| 13. 32-085 Mounting Bracket 1972-89                                | <b>29.99 ea.</b>   |
| 14. 32-045 Bushing Kit 1972-89, Sway Bar<br>All Models To '85      | <b>21.99 ea.</b>   |
| 15. 33-086 Sub Frame 1972-89                                       | <b>1398.99 ea.</b> |
| 20. 33-087 Sub Frame Mount Kit 1972-89                             | <b>59.99 ea.</b>   |
| 21. 33-050 Wheel Bearing Kit 1972-89<br>Non ABS, All Models To '85 | <b>17.99 ea.</b>   |
| 21. 33-038 Wheel Bearing Kit 1972-89<br>ABS Models, 560SL          | <b>18.99 ea.</b>   |
| 22. 33-088 Grease Cap 1972-89<br>All Models To '85                 | <b>10.99 ea.</b>   |
| 22. 33-044 Grease Cap 1972-89, 560SL                               | <b>4.99 ea.</b>    |
| 23. 54-119 Contact Spring 1972-89                                  | <b>4.99 ea.</b>    |

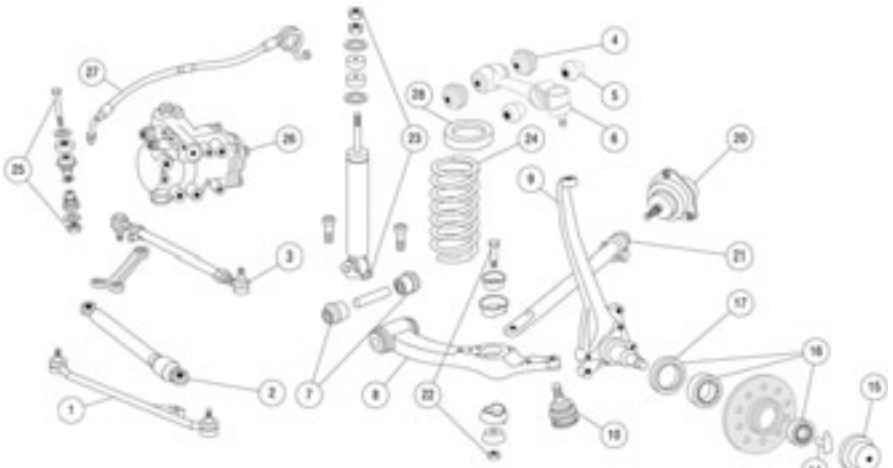
## Rear Suspension



- |  |                    |
|--|--------------------|
| 1. 32-009 Shock Absorber 1972-89<br>Bilstein                                   | <b>99.99 ea.</b>   |
| 1. 32-009A Shock Absorber 1972-89<br>Boge                                      | <b>75.99 ea.</b>   |
| 2. Sway Bar Link 1972-89<br>32-072 Original                                    | <b>11.99 ea.</b>   |
| 32-072U Aftermarket  | <b>10.99 ea.</b>   |
| 3. 35-045 Rear Control Arm 1972-89<br>Left, All Models To '85                  | <b>3249.99 ea.</b> |
| 3. 35-046 Rear Control Arm 1972-89<br>Right, All Models To '85                 | <b>3049.99 ea.</b> |
| 4. 35-005 Rear Control Arm Bushings<br>1972-89                                 | <b>4.99 ea.</b>    |
| 7. 35-007 Rear Wheel Bearing Kit<br>1972-89                                    | <b>46.99 ea.</b>   |
| 9. 35-060 Sub Frame Mounts 1972-89<br>450SL, SLC, 560SL                        | <b>334.99 ea.</b>  |
| 9. 35-043 Sub Frame Mounts 1972-89<br>380SL, 380SLC                            | <b>57.99 ea.</b>   |
| 10. 35-063 Coil Spring 1972-89<br>450SL, SLC; 380SL, SLC                       | <b>59.99 ea.</b>   |
| 11. Ref.# 6099 Spring Pad 1972-89<br>From                                      | <b>6.99 ea.</b>    |
| 12. 41-020 Flex Disc 1972-89<br>All Models                                     | <b>60.99 ea.</b>   |
| 13. 41-021 Bushing 1972-89<br>All Models To '85                                | <b>67.99 ea.</b>   |
| 14. 41-003 Center Support 1972-89<br>All Models To '85                         | <b>11.99 ea.</b>   |
| 14. 41-029 Center Support 1972-89<br>560SL                                     | <b>13.99 ea.</b>   |
| 15. 41-006 Center Support Bearing<br>1972-89                                   | <b>8.99 ea.</b>    |
| 16. 41-005 Bearing Dust Cover 1972-89  | <b>5.99 ea.</b>    |
| 17. 35-052 Axle Shaft 1972-89<br>450SL To VIN# 058171<br>450SLC To VIN# 028272 | <b>494.99 ea.</b>  |
| 18. 35-039 Differential Mount 1972-89  | <b>54.99 ea.</b>   |
| 19. 35-026 Differential Seal 1972-89<br>Input                                  | <b>9.99 ea.</b>    |

## Front Suspension

1. Drag Link 1977-85	
46-001 Original	29.99 ea.
46-001U Aftermarket	19.99 ea.
2. 46-002 Steering Damper 1977-85	34.99 ea.
3. Tie Rod, Complete 1977-85	
33-001 Original	52.99 ea.
33-001U Aftermarket	19.99 ea.
4. 33-015 Upper Control Arm Bushing 1977-85	7.99 ea.
5. 33-016 Sway Bar Bushing 1977-85	0.99 ea.
6. 33-004 Left Upper Control Arm 1977-85	59.99 ea.
6. 33-005 Right Upper Control Arm 1977-85	38.99 ea.
7. 33-007 Lower Cntrl Arm Bushing Kit 1977-85	19.99 ea.
8. 33-068 Left Lower Control Arm 1977-85	241.99 ea.
8. 33-069 Right Lower Control Arm 1977-85	209.99 ea.
8. Ball Joint 1977-85 , All Models	
33-008 Original	22.99 ea.
33-008U Aftermarket	9.99 ea.
9. 33-061 Steering Knuckle 1977-85 Left (Spindle)	317.99 ea.
10. 33-008 Ball Joint 1977-85	22.99 ea.
14. 54-119 Contact Spring 1977-85	4.99 ea.
15. 33-027 Grease Cap 1977-85	4.99 ea.
16. 33-006 Front Wheel Bearing Kit 1977-85	17.99 ea.
17. 33-013 Front Wheel Seal 1977-85	2.99 ea.

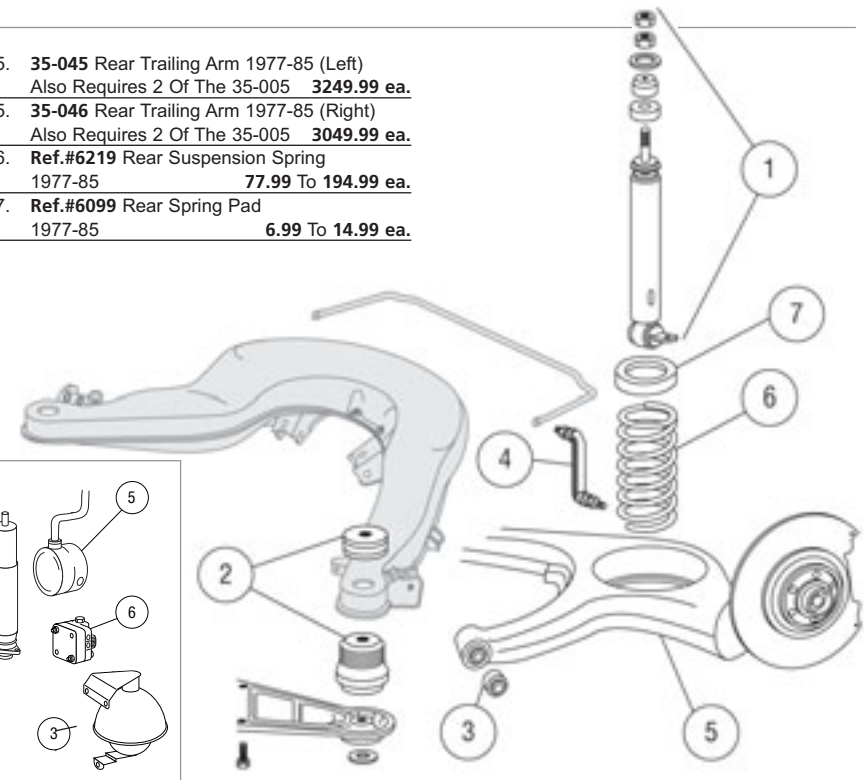


20. 33-017 Track Rod Mount 1977-85	61.99 ea.
21. 33-070 Guide Rod 1977-85	34.99 ea.
22. 33-078 Guide Rod Mount Kit 1977-85	16.99 ea.
23. 32-004 Front Shock Absorber 1977-85	97.99 ea.
24. Ref.# 6218 Front Susp. Spring 1977-85	232.99 To 241.99 ea.
25. 46-006 Idler Arm Repair Kit 1977-85	15.99 ea.
26. 46-044 P/S Box Seal Kit 1977-85 (Not Shown), 230 To VIN# 056282 (Mid '77)	
240D To VIN# 029861 (Mid '77)	
280E To VIN# 027434 (Mid '77)	
300D To VIN# 051236 (Mid '77)	19.99 ea.
26. 46-147 Steering Box 1977-85 (Reman) From '77	429.99 ea.
Core Charge	150.00
26. 46-045 P/S Box Seal Kit 1977-85 (Not Shown)	
230 From VIN# 056283 (Mid '77)	
240D From VIN# 029862 (Mid '77)	
280E From VIN# 027435 (Mid '77)	
300D From VIN# 051237 (Mid '77)	
All Coupes, All Turbos	17.99 ea.
27. 46-211 Power Steering Pressure Hose 1977-85, 240D; All 300D, TD (Turbo & Non Turbo)	53.99 ea.
28. 32-325 Spring Pads 1977-85	7.99 ea.

## Rear Suspension

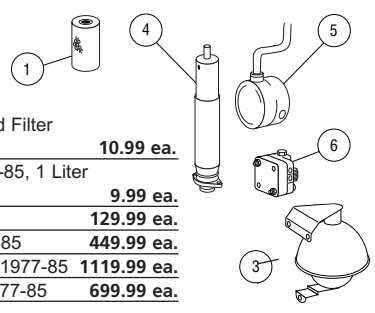
1. 32-007 Rear Shock Absorber 1977-85	109.99 ea.
2. 35-006 Subframe Mounts 1977-85, Set 240D From VIN# 070760 All 300D, 300D Turbo	
All 300D, 300CD Turbo	72.99 ea.
2. 35-073 Subframe Mounts 1977-85, Set All Wagons Turbo/Nonturbo	219.99 ea.
3. 35-005 Control Arm Bushing 1977-85	4.99 ea.
4. 32-010 Sway Bar Link 1977-85	6.99 ea.

5. 35-045 Rear Trailing Arm 1977-85 (Left) Also Requires 2 Of The 35-005	3249.99 ea.
5. 35-046 Rear Trailing Arm 1977-85 (Right) Also Requires 2 Of The 35-005	3049.99 ea.
6. Ref.#6219 Rear Suspension Spring 1977-85	77.99 To 194.99 ea.
7. Ref.#6099 Rear Spring Pad 1977-85	6.99 To 14.99 ea.



### 300TD Wagon Suspension

1. 32-022 Suspension Fluid Filter 1977-85	10.99 ea.
99-083 Susp Fluid 1977-85, 1 Liter (Shown Below)	9.99 ea.
3. 32-001 Air Cell 1977-85	129.99 ea.
4. 32-011 Rear Strut 1977-85	449.99 ea.
5. 23-014 Hydraulic Pump 1977-85	1119.99 ea.
6. 32-032 Control Valve 1977-85	699.99 ea.

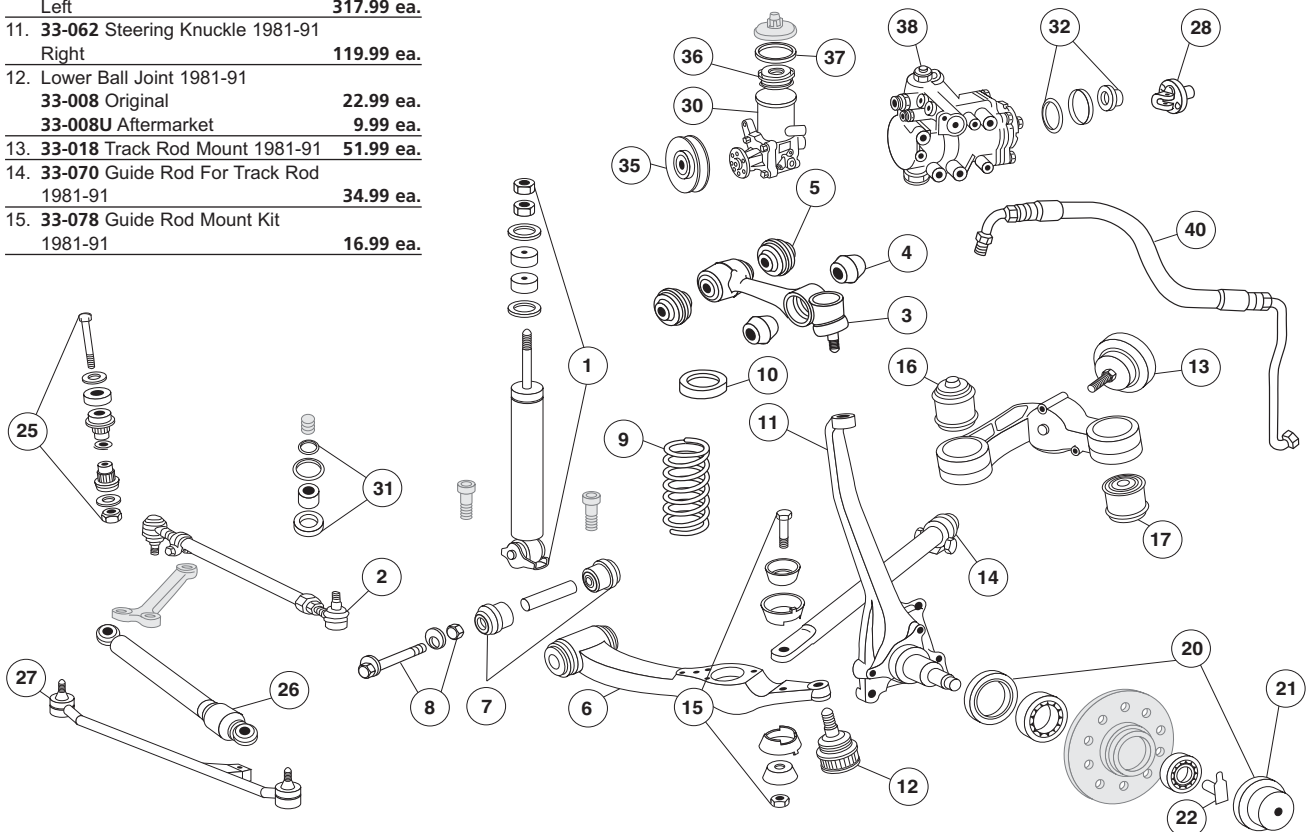


## Front Suspension

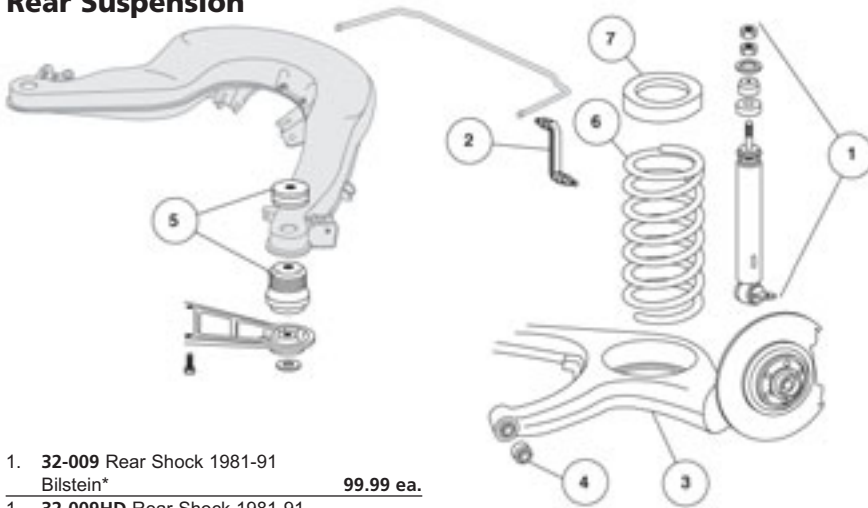
- |  |                        |
|--|------------------------|
| 1. 32-006 Front Shock 1981-91<br>Bilstein                              | 94.99 ea.              |
| 1. 32-006HD Front Shock 1981-91<br>Bilstein Heavy Duty                 | 94.99 ea.              |
| 1. 32-006A Front Shock 1981-91<br>Boge                                 | 79.99 ea.              |
| 2. Tie Rod Assembly 1981-91<br>33-003 Original<br>33-003U Aftermarket  | 43.99 ea.<br>19.99 ea. |
| 3. 33-020 Control Arm 1981-91<br>Upper Left                            | 39.99 ea.              |
| 3. 33-021 Control Arm 1981-91<br>Upper Right                           | 41.99 ea.              |
| 4. 33-016 Sway Bar Bushing 1981-91                                     | 0.99 ea.               |
| 5. 33-019 Control Arm Bushings<br>1981-91, Upper                       | 36.99 ea.              |
| 6. 33-072 Control Arm 1981-91<br>Lower Left                            | 277.99 ea.             |
| 6. 33-073 Control Arm 1981-91<br>Lower Right                           | 294.99 ea.             |
| 7. 33-022 Control Arm Bushings<br>Lower                                | 17.99 ea.              |
| 8. 33-060 Eccentric Pin Kit 1981-91                                    | 69.99 ea.              |
| 9. 32-356 Front Coil Spring 1981-91<br>All Except 560 SEL, 350SDL      | 89.99 ea.              |
| 9. 32-357 Front Coil Spring 1981-91<br>560 SEL, 350SDL                 | 109.99 ea.             |
| 10. Ref.# 6099 Spring Pad 1981-91                                      | 7.99 To 31.99 ea.      |
| 11. 33-061 Steering Knuckle 1981-91<br>Left                            | 317.99 ea.             |
| 11. 33-062 Steering Knuckle 1981-91<br>Right                           | 119.99 ea.             |
| 12. Lower Ball Joint 1981-91<br>33-008 Original<br>33-008U Aftermarket | 22.99 ea.<br>9.99 ea.  |
| 13. 33-018 Track Rod Mount 1981-91                                     | 51.99 ea.              |
| 14. 33-070 Guide Rod For Track Rod<br>1981-91                          | 34.99 ea.              |
| 15. 33-078 Guide Rod Mount Kit<br>1981-91                              | 16.99 ea.              |

- |  |                        |
|--|------------------------|
| 16. 33-080 Subframe Bushing 1981-91<br>Front   | 21.99 ea.              |
| 17. 33-079 Subframe Bushing 1981-91<br>Rear  | 19.99 ea.              |
| 20. 33-006 Wheel Bearing Kit 1981-91<br>Front, All Models Without ABS                                    | 17.99 ea.              |
| 20. 33-023 Wheel Bearing Kit 1981-91<br>Front, All Models With ABS                                       | 23.99 ea.              |
| 21. 33-027 Grease Cap 1981-91  | 4.99 ea.               |
| 22. 54-119 Contact Spring 1981-91  | 4.99 ea.               |
| 25. 46-006 Idler Arm Repair Kit<br>1981-91   | 15.99 ea.              |
| 26. 46-002 Steering Damper 1981-91   | 34.99 ea.              |
| 27. Drag Link 1981-91<br>46-005 Original<br>46-005U Aftermarket  | 53.99 ea.<br>25.99 ea. |
| 28. 46-011 Steering Coupling 1981-91   | 91.99 ea.              |
| 30. 46-082 P/S Pump Rebuilt 1981-91<br>ZF, 300SD; All V8 Models<br>Power Steering Pump Core Charge       | 232.99 ea.<br>150.00   |
| 30. 46-102 Power Steering Pump 1981-91<br>Reman, 300SE, SEL<br>P/S Pump Core Charge                      | 231.99 ea.<br>300.00   |
| 30. 46-277 Power Steering Pump 1981-91<br>Reman, 300SDL, 350SD, 350SDL<br>No ASD<br>P/S Pump Core Charge | 327.99 ea.<br>250.00   |
| 31. 46-080 Power Steering Pump Seal Kit<br>1981-91, For ZF Pump  | 2.99 ea.               |
| 31. 46-055 Power Steering Pump Seal Kit<br>1981-91, For Vickers pump                                     | 3.99 ea.               |

- |   |                      |
|---|----------------------|
| 31. 46-090 Power Steering Pump Seal Kit<br>300SDL; 300SE, SEL                   | 14.99 ea.            |
| 32. 46-023 Power Steering Pump Shaft Seal<br>1981-91, Front Shaft, All Models   | 2.99 ea.             |
| 35. 46-093 Pulley 1981-91, P/S, 300SD   | 38.99 ea.            |
| 35. 46-091 Pulley 1981-91, P/S, Water Pump,<br>300SE, SEL                       | 30.99 ea.            |
| 35. 46-092 Pulley 1981-91, Pwr Steering, All V8<br>Gas Models Except 380SEL '81 | 156.99 ea.           |
| 35. 46-099 Pulley 1981-91, P/S, 380SE,<br>SEL '81                               | 234.99 ea.           |
| 36. 46-003 Pwr Steering Filter 1981-91  | 4.99 ea.             |
| 37. 46-004 Power Steering Reservoir Gasket<br>1981-91, For ZF Pump              | 1.99 ea.             |
| 37. 46-004 Power Steering Reservoir Gaske<br>1981-91, For Vickers Pump          | 1.99 ea.             |
| 38. 46-084 Steering Box 1981-91<br>Rebuilt<br>Core Charge                       | 469.99 ea.<br>400.00 |
| 39. 46-045 Steering Box Seal Kit<br>1981-91, Not Shown                          | 17.99 ea.            |
| 40. 46-235 High Pressure Hose 1981-91<br>All V8                                 | 66.99 ea.            |
| 40. 46-207 High Pressure Hose 1981-91<br>300SE, 300SEL                          | 89.99 ea.            |
| 40. 46-208 High Pressure Hose 1981-91,<br>300SDL, 350SD/SDL                     | 139.99 ea.           |
| 40. 46-076 High Pressure Hose 1981-91<br>300SD                                  | 75.99 ea.            |



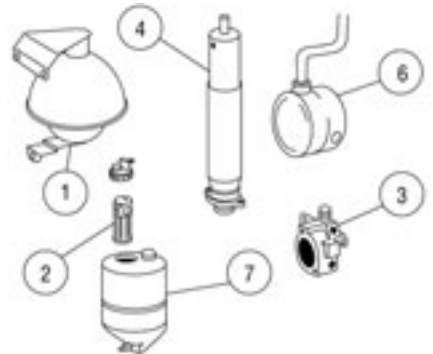
## Rear Suspension



- |    |  |                   |
|----|--|-------------------|
| 1. | <b>32-009</b> Rear Shock 1981-91<br>Bilstein*              | <b>99.99 ea.</b>  |
| 1. | <b>32-009HD</b> Rear Shock 1981-91<br>Bilstein Heavy Duty* | <b>107.99 ea.</b> |
| 1. | <b>32-009A</b> Rear Shock 1981-91<br>Boge*                 | <b>75.99 ea.</b>  |
- \* Note: Above Shocks Not For Self Leveling.**
- |    |  |                    |
|----|--|--------------------|
| 2. | <b>32-010</b> Sway Bar Link 1981-91<br>Rear, Rear Torsion Bar To Trailing Arm<br>All Models  | <b>6.99 ea.</b>    |
| 3. | <b>35-045</b> Trailing Arm 1981-91<br>Left, All Models Except '86 To '87<br>560SEL & 560SEC  | <b>3249.99 ea.</b> |
| 3. | <b>35-046</b> Trailing Arm 1981-91, Right<br>All Models Except '86 To '87 560SEL<br>& 560SEC | <b>3049.99 ea.</b> |
| 3. | <b>35-065</b> Trailing Arm 1981-91, Left;<br>'86 To '87 560SEL & 560SEC                      | <b>749.99 ea.</b>  |

- |    |   |                               |
|----|---|-------------------------------|
| 3. | <b>35-066</b> Trailing Arm 1981-91, Right<br>'86 To '87 560SEL & 560SEC | <b>739.99 ea.</b>             |
| 4. | <b>35-005</b> Trailing Arm Bushing<br>1981-91, (4 Req)                  | <b>4.99 ea.</b>               |
| 5. | <b>35-004</b> Subframe Mount Kit 1981-91<br>All Thru '85                | <b>115.99 ea.</b>             |
| 5. | <b>33-081</b> Subframe Mount Kit 1981-91<br>Rear, All From '86          | <b>46.99 ea.</b>              |
| 6. | <b>32-062</b> Coil Spring 1981-91, All Models<br>Except 560SEL & 560SEC | <b>119.99 ea.</b>             |
| 6. | <b>32-069</b> Coil Spring 1981-91 560SEL<br>& 560SEC                    | <b>77.99 ea.</b>              |
| 7. | <b>Ref.# 6099</b> Spring Pad 1981-91                                    | <b>From 6.99 To 14.99 ea.</b> |

## Self Leveling Rear Suspension

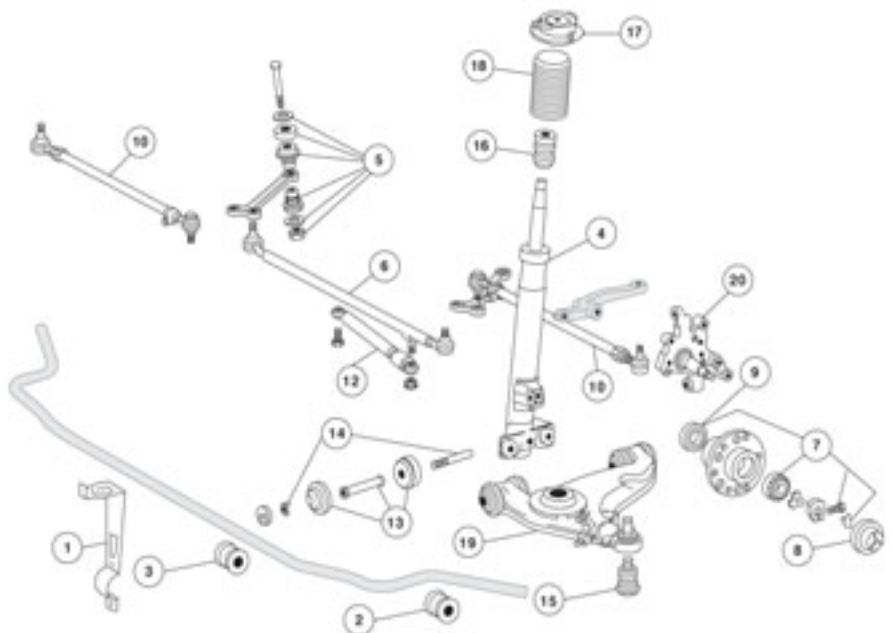


Expensive to repair, the 560SEC/SEL rear self-leveling suspension system can be maintained using the following items.

- |    |  |                    |
|----|--|--------------------|
| 1. | <b>32-001</b> Air Cell 1981-91<br>560SEL, SEC, No Euro Models                    | <b>129.99 ea.</b>  |
| 2. | <b>32-039</b> Hydraulic Suspension Filter<br>1981-91                             | <b>14.99 ea.</b>   |
| 3. | <b>32-071</b> Height Control Valve 1981-91, Self<br>Leveling Device, 560SEL, SEC | <b>299.99 ea.</b>  |
| 4. | <b>32-033</b> Hydropneumatic Shock 1981-91,<br>Rear, 560SEL, SEC To '87          | <b>449.99 ea.</b>  |
| 4. | <b>32-070</b> Hydropneumatic Shock 1981-91,<br>Rear, 560SEL, SEC From '88        | <b>339.99 ea.</b>  |
| 6. | <b>23-014</b> Hydraulic Pump 1981-91   | <b>1119.99 ea.</b> |
| 7. | <b>32-040</b> Hydraulic Fluid Reservoir<br>1981-91                               | <b>61.99 ea.</b>   |
| 8. | <b>99-083</b> Hydraulic Fluid 1981-91<br>1 Liter, (Req 3.5 Liters)               | <b>9.99 ea.</b>    |

## Front Suspension

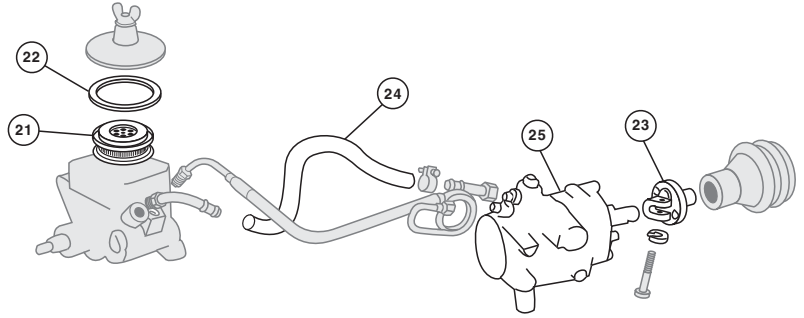
- |    |   |                  |
|----|---|------------------|
| 1. | <b>32-099</b> Sway Bar Bracket 1986-95<br>Left, All Models Except 4-Matic   | <b>10.99 ea.</b> |
| 1. | <b>32-100</b> Sway Bar Bracket 1986-95<br>Right, All Models Except 4-Matic  | <b>10.99 ea.</b> |
| 2. | <b>32-058</b> Sway Bar Bushing 1986-95 Outer,<br>Front (2 Req), All Models Except Conv.,<br>Wagon, Or Sport Suspension<br>No 4-Matic    | <b>2.99 ea.</b>  |
| 2. | <b>32-078</b> Sway Bar Bushing 1986-95<br>Outer, Front (2 Req), All Wagons<br>No 4-Matic  | <b>2.99 ea.</b>  |
| 2. | <b>32-184</b> Sway Bar Bushing 1986-95, Outer,<br>Front (2 Req), All Convertibles, 300E/E320<br>With Sport Suspension                   | <b>11.99 ea.</b> |
| 3. | <b>32-101</b> Sway Bar Bushing 1986-95<br>Inner, Front, 260E, 300E 2.6; 300E 2.8;<br>All Diesels; 400E, E420; All Coupes;<br>E320 Sedan | <b>2.99 ea.</b>  |
| 3. | <b>32-079</b> Sway Bar Bushing, Inner, Front<br>All Wagons, All Convertibles  | <b>11.99 ea.</b> |
| 3. | <b>32-056</b> Inner Sway Bar Bushing 1986-95,<br>Inner 500E/E500 (2 Required)   | <b>12.99 ea.</b> |



1986-95 Continued On Next Page

## 1986-95 Continued

- |     |  |                   |
|-----|--|-------------------|
| 3.  | <b>32-210</b> Performance Sway Bar Kit 1986-95,  | <b>579.99 ea.</b> |
| 4.  | <b>32-043*</b> Shock Absorber 1986-95, Front, Thru '92, 260E, 300E 2.6; 300E 2.8; 300E, TE; All Diesels  | <b>154.99 ea.</b> |
| 4.  | <b>32-037*</b> Shock Absorber 1986-95, Front, From '93, 300E 2.6; 300E 2.8; 300E, TE, E320 Sedans; All Diesels   | <b>159.99 ea.</b> |
| 4.  | <b>32-043*</b> Shock Absorber 1986-95 Front, 300CE, E320 Coupe   | <b>154.99 ea.</b> |
| 4.  | <b>32-091*</b> Shock Absorber 1986-95 Front, 400E, E420  | <b>172.99 ea.</b> |
| 4.  | <b>32-095*</b> Shock Absorber 1986-95 Front; 4-Matic   | <b>156.99 ea.</b> |
| 4.  | <b>32-206*</b> Shock Absorber 1986-95, Front 500E, E500 To VIN# B712318  | <b>317.99 ea.</b> |
| 4.  | <b>32-193*</b> Shock Absorber 1986-95, Front 500E, E500 From VIN# B712319  | <b>141.99 ea.</b> |
| 5.  | <b>46-006</b> Idler Arm Bushing Repair Kit 1986-95, All Models Except V-8  | <b>15.99 ea.</b>  |
| 5.  | <b>46-145</b> Idler Arm Bushing Repair Kit 1986-95; All V-8  | <b>39.99 ea.</b>  |
| 6.  | <b>33-075</b> Drag Link 1986-95 260E To VIN# B022104 (Mid '89) 300E To VIN# B022104 (Mid '89), 300D '87 300TE To VIN# F114568 (Mid '89) 300TD '87, 300CE Coupe To VIN# B022104 (Mid '89) | <b>25.99 ea.</b>  |
| 6.  | <b>33-076</b> Drag Link 1986-95, All Models From Mid '89, No 4-Matic, No V-8   | <b>19.99 ea.</b>  |
| 6.  | <b>46-146</b> Drag Link 1986-95; All V-8   | <b>67.99 ea.</b>  |
| 7.  | <b>33-038</b> Wheel Bearing Set 1986-95 Front, All Models Except V-8   | <b>18.99 ea.</b>  |
| 7.  | <b>33-093</b> Wheel Bearing Set 1986-95 Front, 400E, E420  | <b>35.99 ea.</b>  |
| 7.  | <b>33-094</b> Wheel Bearing Set 1986-95 Front, 500E, E500  | <b>92.99 ea.</b>  |
| 8.  | <b>33-044</b> Grease Cap 1986-95   | <b>4.99 ea.</b>   |
| 9.  | <b>33-014</b> Grease Seal 1986-95 All Models Except V-8's & 4-Matic  | <b>6.99 ea.</b>   |
| 9.  | <b>33-092</b> Grease Seal 1986-95 All V8's (400E/E420/500E/E500)   | <b>4.99 ea.</b>   |
| 10. | Tie Rod Assembly 1986-95, Left All Models Except V-8, No 4-Matic   |                   |
|     | <b>33-054</b> Original   | <b>28.99 ea.</b>  |
|     | <b>33-054U</b> Aftermarket   | <b>19.99 ea.</b>  |
| 10. | <b>33-074</b> Tie Rod Assembly 1986-95 Left; All V-8   | <b>79.99 ea.</b>  |



- |     |  |                   |
|-----|--|-------------------|
| 10. | <b>33-055</b> Tie Rod Assembly 1986-95, Right All models Except V-8, No 4-Matic  | <b>37.99 ea.</b>  |
| 10. | <b>33-071</b> Tie Rod Assembly 1986-95 Right; All V-8  | <b>59.99 ea.</b>  |
| 11. | Tie Rod Assembly 1986-95, Right All Models Except V-8, No 4-Matic  |                   |
|     | <b>33-055</b> Original   | <b>44.99 ea.</b>  |
|     | <b>33-055U</b> Aftermarket   | <b>19.99 ea.</b>  |
| 12. | <b>46-019</b> Steering Damper 1986-95 All Models Except 4-Matic  | <b>41.99 ea.</b>  |
| 13. | <b>33-043</b> A-Arm Bushing Kit 1986-95 Front, All Models Up To '92  | <b>47.99 ea.</b>  |
| 13. | <b>33-095</b> A-Arm Bushing Kit 1986-95, Front All Models From '93 Except 4-Matic  | <b>29.99 ea.</b>  |
| 14. | <b>33-032</b> Eccentric Bolt Kit 1986-95 2 Kits Per Side   | <b>14.99 ea.</b>  |
| 15. | <b>33-045</b> Ball Joint 1986-95 '88-'89 300CE, 260E, 300E 2.5, 300E 2.8, '86-'92 300E/TE, All Diesels; 500E/E500 To VIN# B927760; No 4-Matic Or Sport   | <b>21.99 ea.</b>  |
| 16. | <b>32-042</b> Rubber Buffer 1986-95 Front, (1 Per Shock Req) All Models Except Wagon   | <b>13.99 ea.</b>  |
| 16. | <b>32-098</b> Rubber Buffer 1986-95, Front Wagon, (1 Per Shock Req)  | <b>12.99 ea.</b>  |
| 17. | <b>32-021</b> Shock Mount 1986-95, All Models Except Convertible & 4-Matic   | <b>23.99 ea.</b>  |
| 17. | <b>32-096</b> Shock Mount 1986-95 Convertible  | <b>76.99 ea.</b>  |
| 17. | <b>32-097</b> Shock Mount 1986-95 4-Matic  | <b>63.99 ea.</b>  |
| 18. | <b>32-053</b> Shock Boot 1986-95, Front  | <b>9.99 ea.</b>   |
| 19. | <b>33-106</b> Control Arm 1986-95, Left, Front '88-'89 300CE; 260E, 300E 2.6; 300E 2.8 All Diesels; 300E, TE To '92; 500E/E500 To VIN# B927760 No 4-Matic Or Sport                                     | <b>129.99 ea.</b> |
| 19. | <b>33-098</b> Control Arm 1986-95, Left, Front Includes Ball Joint, '90-'95 300CE Coupe; All 300CE Conv; 400E/E420; '93-'95 300E/300TE/E320/E320 Wagon; 500E/E500 From VIN# B927761 No 4Matic Or Sport | <b>179.99 ea.</b> |
| 19. | <b>33-107</b> Control A-Arm 1986-95, Right, Front '88-'89 300CE; 260E, 300E 2.6; 300E 2.8 All Diesels; 300E & 300TE To '92; 500E/E500 To VIN# B927760 No 4Matic Or Sport                               | <b>129.99 ea.</b> |
| 19. | <b>33-099</b> Control Arm 1986-95, Right, Front Includes Ball Joint '90-'95 300CE Coupe; All 300CE Conv; 400E/E420; '93-'95 300E/300TE/E320/E320 Wagon; 500E/E500 From VIN# B927761 No 4Matic Or Sport | <b>219.99 ea.</b> |
| 20. | <b>33-033</b> Steering Knuckle 1986-95, Left All Models Except V-8   | <b>331.99 ea.</b> |
| 20. | <b>33-034</b> Steering Knuckle 1986-95 Right, All Models Except V-8  | <b>214.99 ea.</b> |
| 21. | <b>46-003</b> Power Steering Filter 1986-95  | <b>4.99 ea.</b>   |
| 22. | <b>46-007</b> Power Steering Filter Gasket 1986-95   | <b>2.99 ea.</b>   |
| 23. | 46-011 Steering Coupling 1986-95 All Models Except V-8   | <b>91.99 ea.</b>  |
| 24. | <b>46-024</b> Low Pressure Hose 1986-95 Sold By Meter. Cooler To Pump 33 cm, Steering Box To Cooler 15 cm  | <b>13.99 ea.</b>  |
| 24. | <b>46-175</b> Steering Box 1986-95, Rebuilt Sedans From VIN# B022105, No 4-Matic Wagons From VIN# F114569, No 4-Matic All Coupes With Sport Pkages '88-'92   | <b>469.99 ea.</b> |
|     | Core Charge  | <b>400.00</b>     |

\* All Shocks Must Use 2 Bushings, See #16

## Rear Suspension

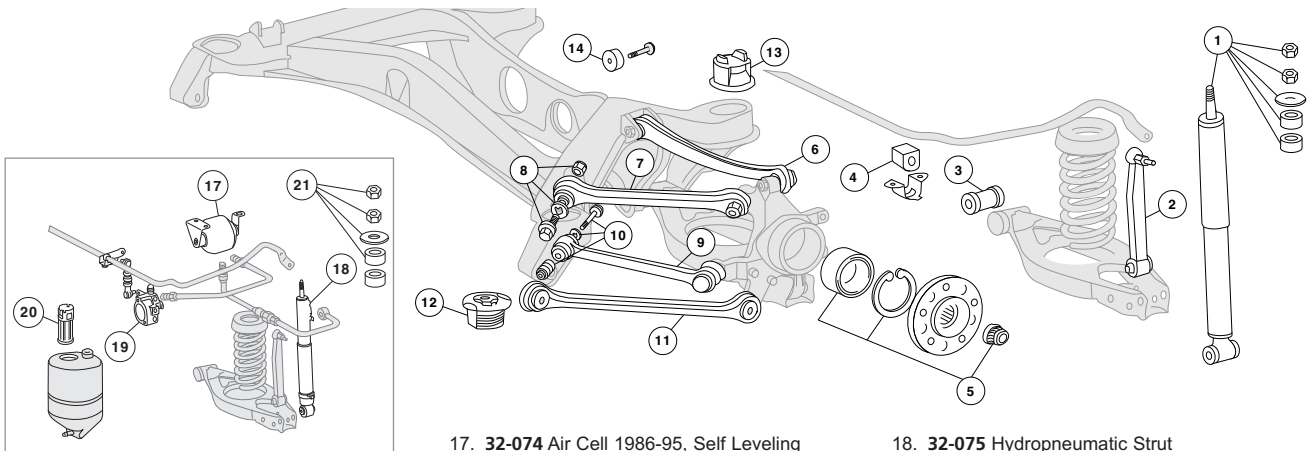
See Illustration On Next Page

- |    |  |                   |
|----|--|-------------------|
| 1. | <b>32-041</b> Rear Shock 1986-95 All Sedans To '91     | <b>104.99 ea.</b> |
| 1. | <b>32-041</b> Rear Shock 1986-95 All Coupes & Convert  | <b>104.99 ea.</b> |
| 1. | <b>32-090</b> Rear Shock 1986-95 All Sedans '92 To '95 | <b>94.99 ea.</b>  |
| 2. | <b>32-019</b> Sway Bar Link 1986-95 All Models         | <b>6.99 ea.</b>   |
| 3. | <b>35-021</b> Control Arm Bushing 1986-95 All Models   | <b>8.99 ea.</b>   |

- |    |   |                   |
|----|---|-------------------|
| 4. | <b>32-076</b> Sway Bar Bushing 1986-95 All Sedans, Wagons, & Convert, Except Diesels & 500E | <b>5.99 ea.</b>   |
| 4. | <b>32-067</b> Sway Bar Bushing 1986-95 400E, E420 Only                                      | <b>6.99 ea.</b>   |
| 4. | <b>32-082</b> Sway Bar Bushing 1986-95 All Coupes; '90-'93 300D 2.5 Turbo                   | <b>4.99 ea.</b>   |
| 5. | <b>35-015</b> Wheel Bearing Kit 1986-95, Rear All Sedans & Coupes Except V8's               | <b>37.99 ea.</b>  |
| 5. | <b>35-036</b> Wheel Bearing Kit 1986-95 Rear, All V8's                                      | <b>39.99 ea.</b>  |
| 5. | <b>35-067</b> Wheel Brng Kit 1986-95, Rear All Wgns   | <b>111.99 ea.</b> |
| 6. | <b>35-009</b> Control Arm Camber Strut 1986-95 Left, All Models                             | <b>31.99 ea.</b>  |

- |     |  |                   |
|-----|--|-------------------|
| 6.  | <b>35-010</b> Control Arm Camber Strut 1986-95 Right, All Models           | <b>34.99 ea.</b>  |
| 7.  | <b>35-035K</b> Control Arm Strut 1986-95 All Models                        | <b>44.99 ea.</b>  |
| 8.  | <b>35-050</b> Control Arm Adjustment Kit 1986-95 All Models                | <b>9.99 ea.</b>   |
| 9.  | <b>35-016</b> Tie Rod 1986-95 All Models                                   | <b>48.99 ea.</b>  |
| 10. | <b>35-018</b> Tie Rod Adjusting Kit 1986-95                                | <b>17.99 ea.</b>  |
| 11. | <b>35-038K</b> Thrust Arm 1986-95 All Models                               | <b>49.99 ea.</b>  |
| 12. | <b>32-015</b> Sub Frame Mount Kit 1986-95 Front, All Models Except Diesels | <b>186.99 ea.</b> |

1986-95 260E / 300E2.6, 300D2.5, 300E2.8, 300E / E320, 300CE, 300TD, 300TE, 400E / E420, 500E / E500, E300D 124 Chassis



- 12. **35-012** Sub Frame Mount Kit 1986-95  
Front, All Diesels **35.99 ea.**
- 13. **32-016** Sub Frame Mount 1986-95  
Rear, 2 Required, All Models Except  
500E, E500 **39.99 ea.**
- 14. **35-072** Subframe Bushing For Differential  
1986-95 **9.99 ea.**

- 17. **32-074** Air Cell 1986-95, Self Leveling  
System, All Models With Self Leveling  
**122.99 ea.**
- 18. **32-120** Rear Shock 1986-95  
Hydroneumatic (Optional) All Sedans  
'90 To '95 Except V8's **419.99 ea.**
- 18. **32-121** Rear Shock 1986-95  
Hydroneumatic, (Optional) 400E  
E420, E320 Convertible **354.85 ea.**

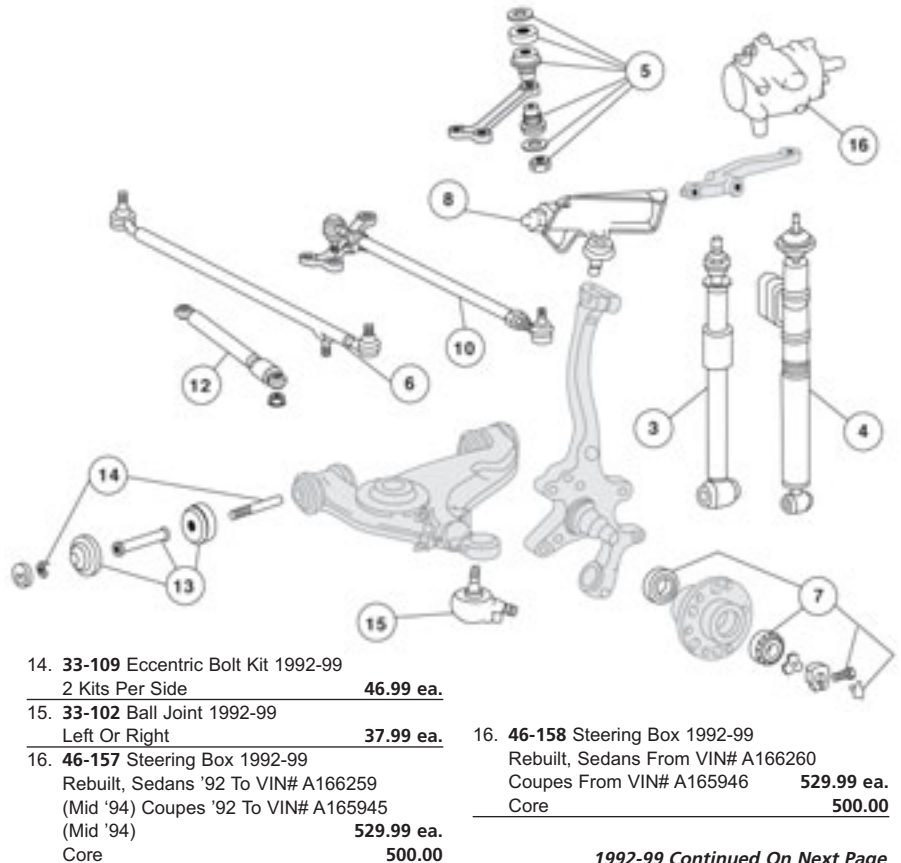
- 18. **32-075** Hydropneumatic Strut  
1986-95, Wagons, No 4Matic **529.99 ea.**
- 18. **32-125** Hydropneumatic Strut  
1986-95, 500E/E500 **469.99 ea.**
- 19. **32-071** Hydraulic Control Valve 1986-95  
All Models With Self Leveling **299.99 ea.**
- 20. **32-039** Hydraulic Fluid Filter 1986-95  
All Models With Self Leveling **12.99 ea.**
- 21. **32-223** Bushing Kit 1986-95 **39.99 ea.**

1992-99 300SE / S320, 300SD / S350, 400SE / SEL / S420, 500SEL / SEC / S500, 600SEL / SEC / S600

140 Chassis

## Front Suspension

- 3. **32-152** Shock Absorber 1992-99, Front  
All Models Without Self-Leveling  
Or ADS (No V-12) **125.99 ea.**
- 4. **32-200** Shock Absorber 1992-99,  
Hydropneumatic, '92 To VIN# A120931  
Must Also Order 1 Of Part# 32-199  
For Each Shock **869.99 ea.**
- 4. **32-147** Shock Absorber 1992-99,  
Hydropneumatic, From VIN# A120932 To  
VIN# A212244, Must Also Order 1 Of  
Part# 32-199 For Each Shock **849.99 ea.**
- 4. **32-198** Shock Absorber 1992-99,  
Hydropneumatic, From VIN# A212245,  
Must Also Order 1 Of Part# 32-199  
For Each Shock **879.99 ea.**
- 5. **46-209** Idler Arm Bushing Repair Kit  
1992-99, All Models **25.99 ea.**
- 6. **46-151** Drag Link 1992-99  
All Models **69.99 ea.**
- 7. **33-096** Wheel Bearing Set 1992-99  
Front All Models, Left Or Right **29.99 ea.**
- 8. **33-112** Upper Control Arm 1992-99  
Left All Models **94.99 ea.**
- 8. **33-113** Upper Control Arm 1992-99  
Right All Models **79.99 ea.**
- 10. **33-101** Tie Rod Assembly 1992-99  
Left Or Right, All **23.99 ea.**
- 12. **46-152** Steering Damper 1992-99  
All Models **42.99 ea.**
- 13. **33-108** A-Arm Bushing Kit 1992-99  
Front-All, Left Or Right **39.99 ea.**



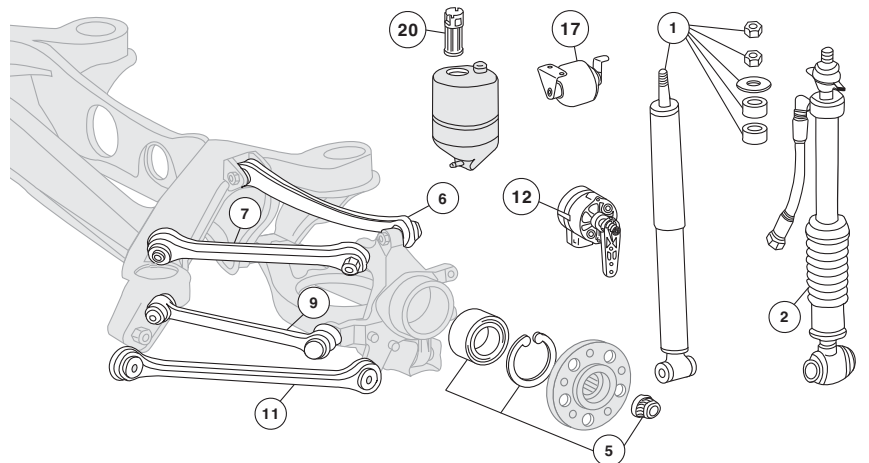
- 14. **33-109** Eccentric Bolt Kit 1992-99  
2 Kits Per Side **46.99 ea.**
- 15. **33-102** Ball Joint 1992-99  
Left Or Right **37.99 ea.**
- 16. **46-157** Steering Box 1992-99  
Rebuilt, Sedans '92 To VIN# A166259  
(Mid '94) Coupes '92 To VIN# A165945  
(Mid '94) **529.99 ea.**  
Core **500.00**

- 16. **46-158** Steering Box 1992-99  
Rebuilt, Sedans From VIN# A166260  
Coupes From VIN# A165946 **529.99 ea.**  
Core **500.00**

1992-99 Continued On Next Page

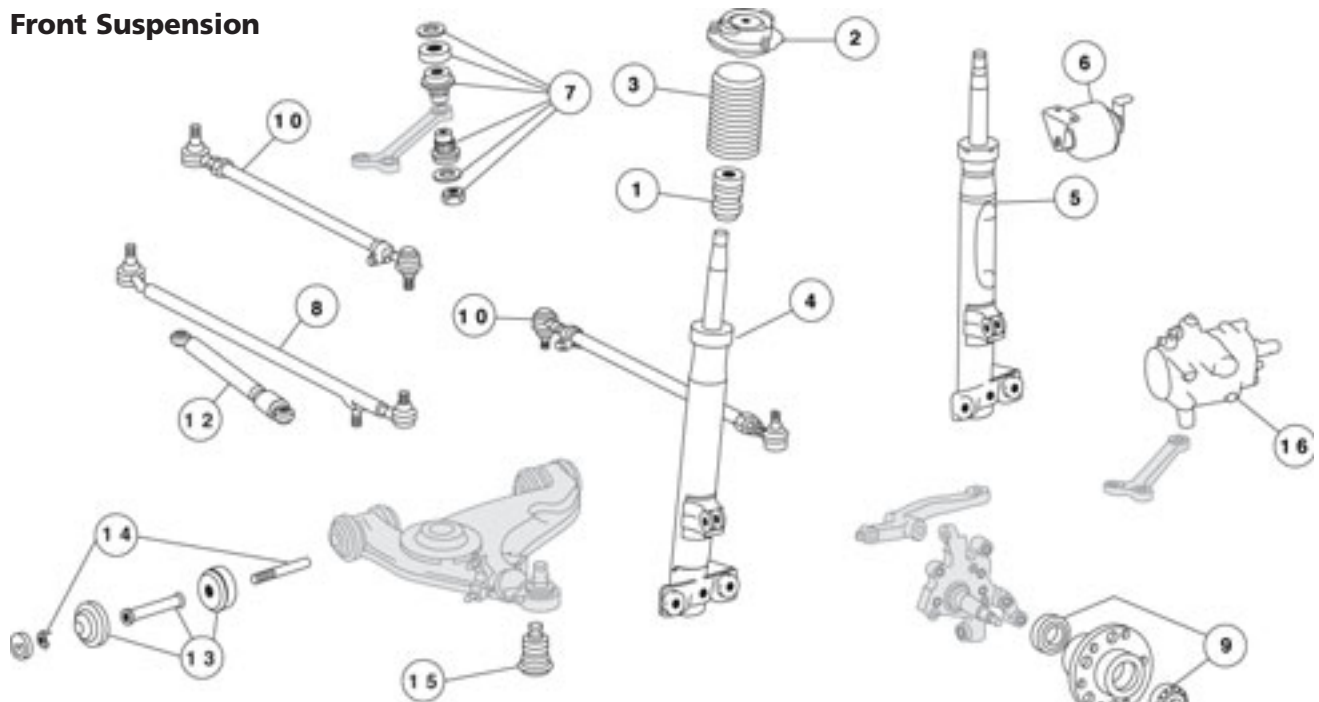
## Rear Suspension

- 1. **32-153** Rear Shock 1992-99, All Models '92-'99, No Self Leveling (No V-12) **141.99 ea.**
- 2. **32-135** Rear Shock 1992-99, Hydropneumatic, Only For Cars "Without" Front Hydro Shocks **599.99 ea.**
- 2. **32-148** Rear Shock 1992-99, Hydropneumatic, Only For Cars "With" Hydro Front Shocks **769.99 ea.**
- 5. **35-084** Wheel Bearing Kit 1992-99, Rear All 6 Cyl '92 To VIN# A212244 **39.99 ea.**
- 5. **35-086** Wheel Bearing Kit 1992-99 All 6 Cyl From VIN# A212245 **264.99 ea.**
- 5. **35-085** Wheel Bearing Kit 1992-99 Rear, All V-8 & V-12 '92 To VIN# A212244 **64.99 ea.**
- 5. **35-087** Wheel Bearing Kit 1992-99, All V-8 & V-12 From VIN# A212245 **67.99 ea.**
- 6. **35-079** Control Arm Camber Strut 1992-99 **104.99 ea.**
- 7. **35-080** Control Arm Strut 1992-99 All Models **112.99 ea.**



- 9. **35-081** Tie Rod 1992-99, All Mod. **46.99 ea.**
- 11. **35-082** Thrust Arm 1992-99 All Models **168.99 ea.**
- 12. **32-071** Height Control Valve 1992-99, For Vehicles With Hydropneumatic **299.99 ea.**
- 17. **32-074** Air Cell 1992-99, Self Leveling System, All Models With Self Leveling **105.99 ea.**
- 20. **32-039** Hydraulic Fluid Filter 1992-99 All Models With Self Leveling **14.99 ea.**

## Front Suspension



- 1. **32-189** Front Strut Buffer 1990-02, Hydropneumatic **31.99 ea.**
- 1. **32-042** Front Strut Buffer 1990-02 Standard **13.99 ea.**
- 2. **32-190** Front Strut Mount 1990-02, Hydropneumatic **97.99 ea.**
- 2. **32-097** Front Strut Mount 1990-02 Standard **63.99 ea.**
- 3. **32-053** Front Strut Boot 1990-02 '90-'02 **9.99 ea.**
- 4. **32-188** Shock Absorber 1990-02, Front All Models W/O Self-Leveling 1990 To VIN# F054767 **176.99 ea.**
- 4. **32-201** Shock Absorber 1990-02, Front All Models W/O Self-Leveling, From VIN# F054768 To VIN# F127545 **172.99 ea.**
- 4. **32-086** Shock Absorber 1990-02, Front All Models W/O Self-Leveling, From VIN# F127546 To 2002 **172.99 ea.**
- 5. **32-087** Shock Absorber 1990-02, Front Hydropneumatic, '90 To VIN# F054767 **549.99 ea.**

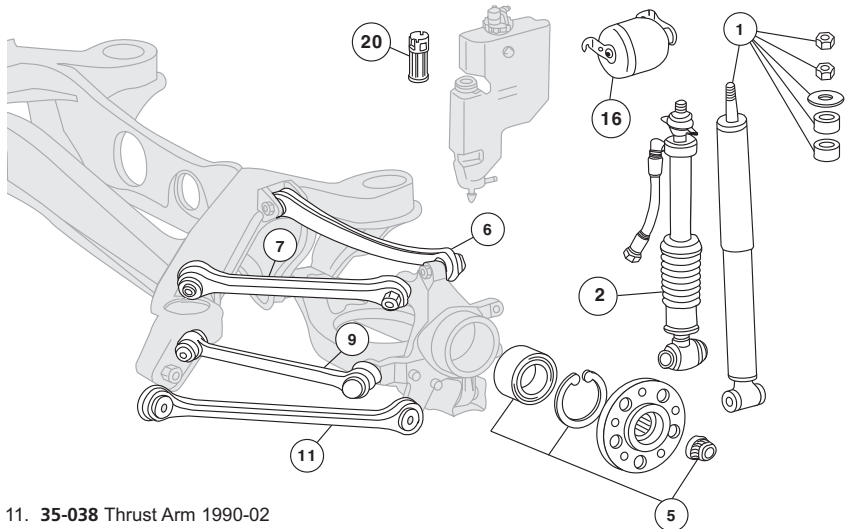
1990-02 300SL / SL320, 500SL / SL500, 600SL / SL600

129 Chassis

5. 32-172 Shock Absorber 1990-02, Hydropneumatic, VIN# F054768 To 1995	499.99 ea.	9. 33-093 Wheel Bear Set 1990-02 Lt Or Rt, Front All	35.99 ea.	13. 33-095 A-Arm Bushing Kit 1990-02 Left Or Right, 6 & 8 Cyl From VIN# F049046, All V-12	29.99 ea.
5. 32-103 Shock Abs 1990-02, Hydropneumatic, '96-02	609.99 ea.	10. 33-110 Tie Rod Assembly 1990-02 Left, All	74.99 ea.	14. 33-032 Eccentric Bolt Kit 1990-02 2 Kits Per Side	14.99 ea.
6. 32-195 Front Air Cell 1990-02 With Self Leveling	251.99 ea.	10. 33-071 Tie Rod Assembly 1990-02 Right, All	59.99 ea.	15. 33-045 Ball Joint 1990-02, Left Or Right 90-98 All W/O ESP (Electronic Stability Program)	19.99 ea.
7. 46-145 Idler Arm Bushing Repair Kit 1990-02, All Models	39.99 ea.	12. 46-019 Steering Damper 1990-02 All Models	41.99 ea.	16. 46-196 Steering Box 1990-02, Rebuilt All Models	539.99 ea.
8. 46-195 Drag Link 1990-02 All Models	109.99 ea.	13. 33-043 A-Arm Bushing Kit 1990-02 Left Or Right, 6 & 8 Cyl '90 To VIN# F049045	47.99 ea.	Core	500.00

## Rear Suspension

1. 32-196 Rear Shock 1990-02 No Self Leveling, All Models 1990 To VIN# F127545	119.99 ea.	11. 35-038 Thrust Arm 1990-02 All Models	20.99 ea.	20. 32-039 Hydraulic Fluid Filter 1990-02 All Models With Self Leveling	14.99 ea.
1. 32-197 Rear Shock 1990-02 No Self Leveling, All Models From VIN# F127546 To 2002	101.99 ea.	16. 32-074 Air Cell 1990-02 Self Leveling, System, All Models With Self Leveling	105.99 ea.		
2. 32-138 Rear Shock 1990-02, Hydropneumatic, '90-'95	404.99 ea.				
2. 32-194 Rear Shock 1990-02, Hydropneumatic, '96-02	409.99 ea.				
5. 35-015 Wheel Bearing Kit 1990-02 Rear, 300SL, '90-'93	37.99 ea.				
5. 35-036 Wheel Bearing Kit 1990-02 All 6 Cyl '94-'02, All 8 Cyl '90-'02	39.99 ea.				
5. 35-037 Wheel Bearing Kit 1990-02 All V-12	231.99 ea.				
6. 35-009 Control Arm Camber Strut 1990-02	31.99 ea.				
7. 35-035K Control Arm Strut 1990-02 All Models	44.99 ea.				
9. 35-016 Tie Rod 1990-02 All Models	48.99 ea.				



1994-00 C220, C230, C230K, C280, C36, C43

202 Chassis

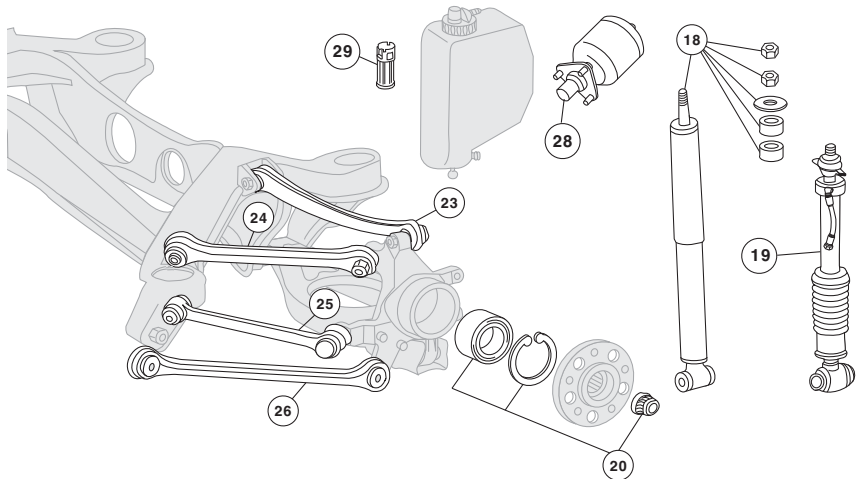
## Front & Rear Suspension

1. 33-145 Upper Control Arm 1994-00 Left, No Sport Package, All Models Inc. C43; No C36	105.99 ea.
1. 33-147 Upper Control Arm 1994-00 Left, For Sport Package, All Models Except C43, C36	65.99 ea.
1. 33-146 Upper Control Arm 1994-00 Right, No Sport Package, All Models Inc. C43; No C36	105.99 ea.
1. 33-148 Upper Control Arm 1994-00 Right, For Sport Package, All Models Except C43, C36	79.99 ea.
3. 33-149 Steering Knuckle 1994-00 Left, All Models	469.99 ea.
3. 33-150 Steering Knuckle 1994-00 Right, All Models	479.99 ea.
4. 33-153 Lower Control Arm 1994-00 Left, All Models	304.99 ea.
4. 33-154 Lower Control Arm 1994-00 Right, All Models	311.99 ea.

1994-00 Continued On Next Page

1994-00 Continued

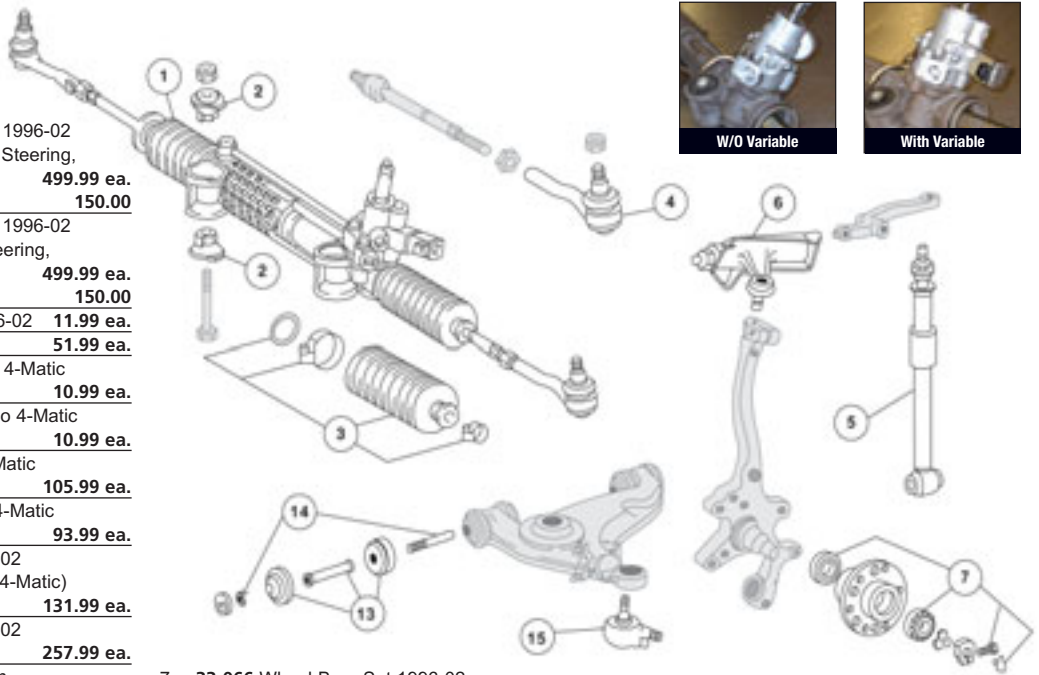
6.	<b>32-136 Shock Absorber</b> 1994-00 Front	<b>109.99 ea.</b>
7.	<b>46-116 Idler Arm Bushing Repair Kit</b> 1994-00, All Models	<b>17.99 ea.</b>
9.	<b>33-103 Wheel Bearing Set</b> 1994-00 Front, All, Left Or Right	<b>19.99 ea.</b>
10.	<b>46-117 Draglink Assembly</b> 1994-00 All But 98-00 C280, C43	<b>101.99 ea.</b>
10.	<b>46-334 Draglink Assembly</b> 1994-00 All 98-00 C280, C43	<b>279.99 ea.</b>
11.	<b>33-144 Draglink End</b> 1994-00 Left Or Right, All Models	<b>24.99 ea.</b>
12.	<b>46-019 Steering Damper</b> 1994-00 All Models	<b>41.99 ea.</b>
13.	<b>33-010 A-Arm Bushing Kit</b> 1994-00 (1 Per Side), All Models Up To VIN# A443812 All Models Up To VIN# F500865	<b>39.99 ea.</b>
13.	<b>33-009 A-Arm Bushing Kit</b> 1994-00 (1 Per Side), All Models From VIN# A443813 All Models From VIN# F500866	<b>44.99 ea.</b>
14.	<b>33-031 Eccentric Bolt Kit</b> 1994-00 2 Kits Per Side	<b>13.99 ea.</b>
15.	<b>33-104 Ball Joint</b> 1994-00 Left Or Right	<b>32.99 ea.</b>
18.	<b>32-137 Rear Shock</b> 1994-00 No Self Leveling, Hydropneumatic	<b>104.99 ea.</b>
19.	<b>32-329 Rear Shock</b> 1994-00, Hydropneumatic, '94-'95 Models	<b>449.99 ea.</b>



19.	<b>32-330 Rear Shock</b> 1994-00, Hydropneumatic, 1996-2000	<b>359.99 ea.</b>
20.	<b>35-015 Wheel Bearing Kit</b> 1994-00 Rear, Left Or Right, All Models	<b>37.99 ea.</b>
23.	<b>35-009 Control Arm Camber Strut</b> 1994-00, Left	<b>31.99 ea.</b>
23.	<b>35-010 Control Arm Camber Strut</b> 1994-00, Right	<b>34.99 ea.</b>
24.	<b>35-035K Control Arm Strut</b> 1994-00 All Models, Left Or Right	<b>44.99 ea.</b>
25.	<b>35-016 Tie Rod</b> 1994-00 All Models, Left Or Right	<b>48.99 ea.</b>
26.	<b>35-038 Thrust Arm</b> 1994-00, All Models Left Or Right	<b>20.99 ea.</b>
28.	<b>32-074 Air Cell</b> 1994-00 Self Leveling System All Models With Self Leveling	<b>105.99 ea.</b>
29.	<b>32-039 Hydraulic Fluid Filter</b> 1994-00 All Models With Self Leveling	<b>14.99 ea.</b>

## Front Suspension/ Steering

1.	<b>46-212 Rebuilt Rack &amp; Pinion</b> 1996-02 For Vehicles Without Variable Steering, No 4-Matic Core Charge	<b>499.99 ea.</b> <b>150.00</b>
1.	<b>46-213 Rebuilt Rack &amp; Pinion</b> 1996-02 For Vehicles With Variable Steering, No 4-Matic Core Charge	<b>499.99 ea.</b> <b>150.00</b>
2.	<b>46-214 Rubber Bushings</b> 1996-02	<b>11.99 ea.</b>
3.	<b>46-215 Boot Kits</b> 1996-02	<b>51.99 ea.</b>
4.	<b>46-216 Left Outer Tie Rod</b> No 4-Matic 1996-02	<b>10.99 ea.</b>
4.	<b>46-217 Right Outer Tie Rod</b> No 4-Matic 1996-02	<b>10.99 ea.</b>
4.	<b>46-218 Left Outer Tie Rod</b> 4-Matic 1996-02	<b>105.99 ea.</b>
4.	<b>46-219 Right Outer Tie Rod-</b> 4-Matic 1996-02	<b>93.99 ea.</b>
5.	<b>32-351 Shock Absorber</b> 1996-02 Front, E320, E420, E430 (No 4-Matic) All Diesels	<b>131.99 ea.</b>
5.	<b>32-354 Shock Absorber</b> 1996-02 Front, 4-Matic	<b>257.99 ea.</b>
6.	<b>33-147 Upper Left Control Arm</b> 1996-02, No 4-Matic	<b>65.99 ea.</b>
6.	<b>33-148 Upper Right Control Arm</b> 1996-02, No 4-Matic	<b>79.99 ea.</b>
7.	<b>33-103 Wheel Bearing Set</b> 1996-02 Front, No 4-Matic	<b>19.99 ea.</b>

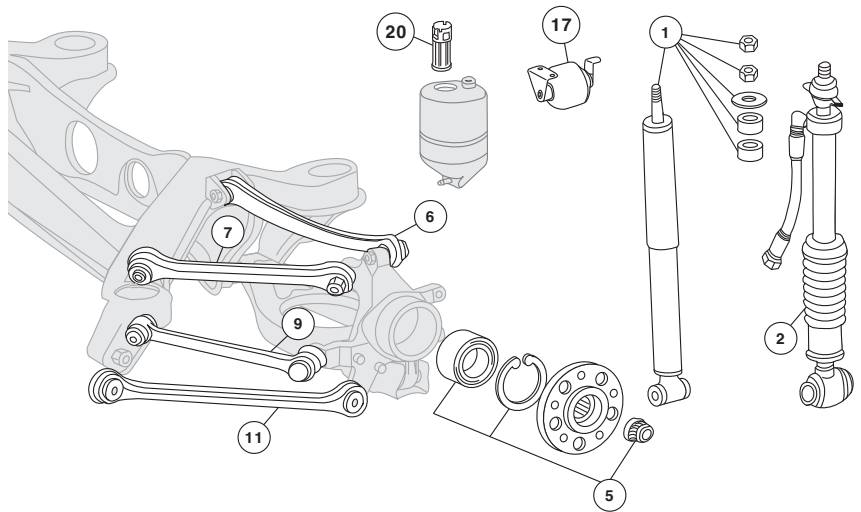


7.	<b>33-066 Wheel Brng Set</b> 1996-02 Front, 4-Matic	<b>107.99 ea.</b>
13.	<b>33-105 A-Arm Brng Kit</b> 1996-02 Front, No 4-Matic	<b>49.99 ea.</b>
13.	<b>33-067 A-Arm Brng Kit</b> 1996-02 Front, 4-Matic	<b>147.99 ea.</b>
14.	<b>33-065 Eccentric Bolt Kit</b> 1996-02 No 4-Matic, 2 Kits Per Side	<b>15.99 ea.</b>
15.	<b>33-104 Ball Joint</b> 1996-02 Left Or Right, All	<b>32.99 ea.</b>

1996-02 E300D / E300D Turbo, E320, E420, E430, E55

210 Chassis

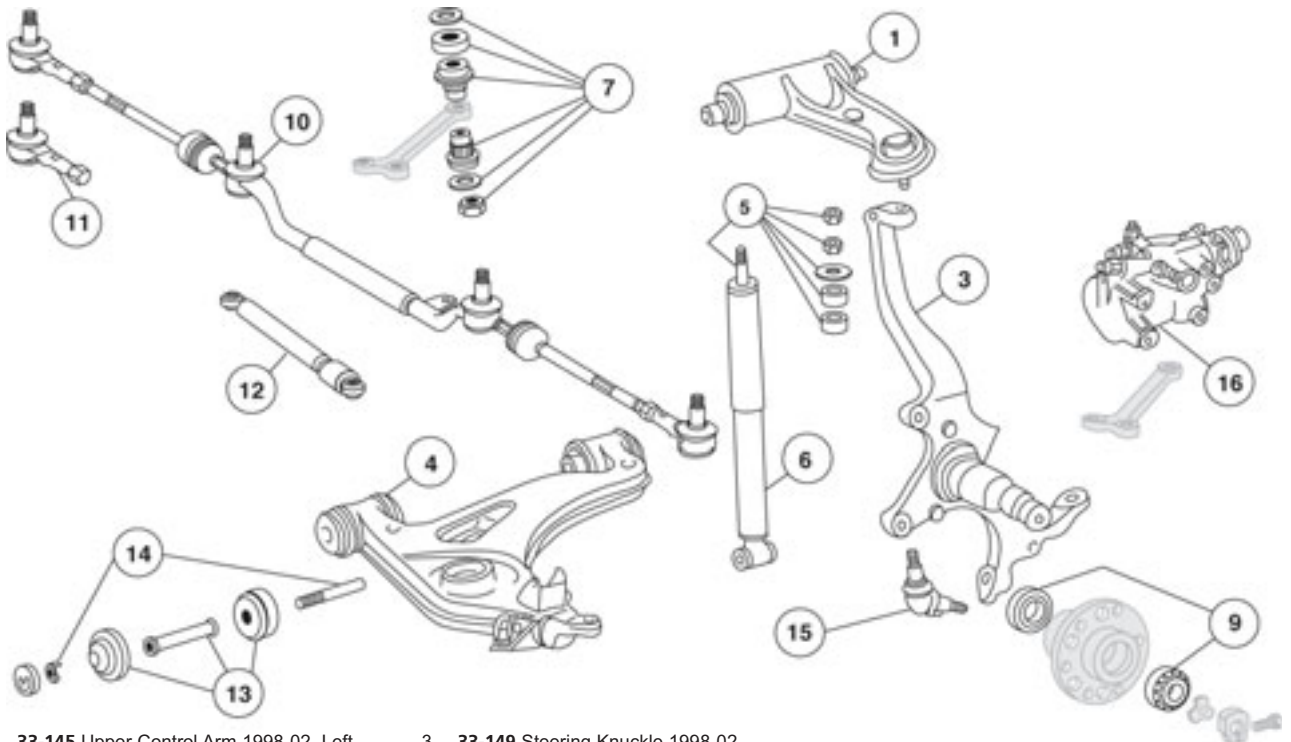
- |     |  |                   |
|-----|--|-------------------|
| 1.  | <b>32-352</b> Rear Shock 1996-02<br>All Sedans   | <b>134.99 ea.</b> |
| 2.  | <b>32-353</b> Rear Shock 1996-02<br>Hydropneumatic, All Wagons<br>(1) 32-380 Required                | <b>444.99 ea.</b> |
| 2.  | <b>32-380</b> Shock Kit 1996-02 (Not Shown)<br>1 Per 32-353 Shock                                    | <b>15.99 ea.</b>  |
| 5.  | <b>35-015</b> Wheel Bearing Kit 1996-02<br>Rear  | <b>37.99 ea.</b>  |
| 6.  | <b>35-009</b> Control Arm Camber Strut<br>1996-02  | <b>31.99 ea.</b>  |
| 7.  | <b>35-035</b> Control Arm Strut 1996-02<br>All Models  | <b>24.99 ea.</b>  |
| 9.  | <b>35-016</b> Tie Rod 1996-02, All Mod.  | <b>48.99 ea.</b>  |
| 11. | <b>35-038</b> Thrust Arm 1996-02<br>All Models   | <b>20.99 ea.</b>  |
| 17. | <b>32-074</b> Air Cell 1996-02, Self Leveling<br>System, All Models With Self Leveling<br>2 Required | <b>105.99 ea.</b> |
| 20. | <b>32-022</b> Hydraulic Fluid Filter 1996-02<br>All Models With Self Leveling                        | <b>10.99 ea.</b>  |



1998-02 CLK320, CLK430, CLK55

208 Chassis

## Front Suspension/Steering

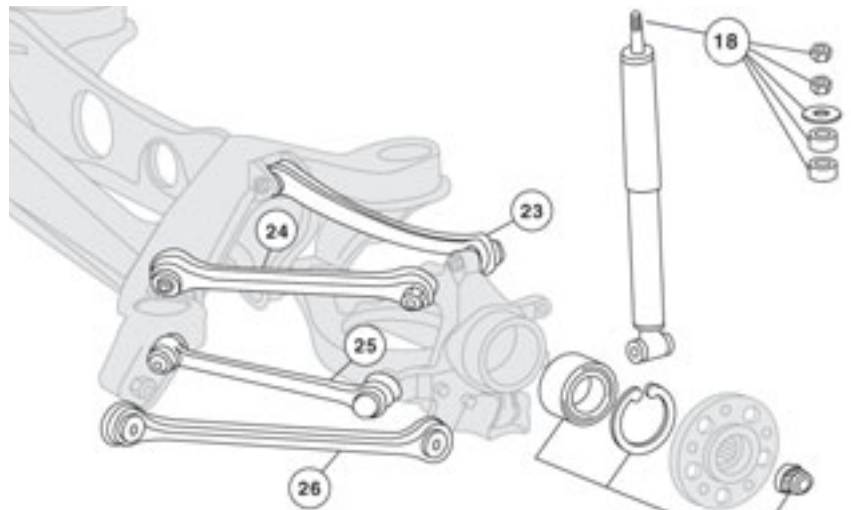


- |    |   |                   |    |   |                   |    |   |                   |
|----|---|-------------------|----|---|-------------------|----|---|-------------------|
| 1. | <b>33-145</b> Upper Control Arm 1998-02, Left<br>CLK320 Coupe & Cabriolet               | <b>105.99 ea.</b> | 3. | <b>33-149</b> Steering Knuckle 1998-02<br>Left-All Model                                | <b>469.99 ea.</b> | 4. | <b>33-153</b> Lower Control Arm 1998-02<br>Left, All CLK55  | <b>304.99 ea.</b> |
| 1. | <b>33-146</b> Upper Control Arm 1998-02, Right<br>CLK320 Coupe & Cabriolet              | <b>105.99 ea.</b> | 3. | <b>33-150</b> Steering Knuckle 1998-02<br>Left-All Model                                | <b>479.99 ea.</b> | 4. | <b>33-154</b> Lower Control Arm 1998-02<br>Right, All CLK55 | <b>311.99 ea.</b> |
| 1. | <b>33-147</b> Upper Control Arm 1998-02<br>Left, CLK430 Coupe & Cabriolet<br>All CLK55  | <b>65.99 ea.</b>  | 4. | <b>33-151</b> Lower Control Arm 1998-02<br>Left, CLK320 & CLK430, Coupe<br>& Cabriolet  | <b>399.99 ea.</b> | 5. | <b>32-404</b> Shock Mounting Kit 1998-02<br>(2 Req)         | <b>18.99 ea.</b>  |
| 1. | <b>33-148</b> Upper Control Arm 1998-02<br>Right, CLK430 Coupe & Cabriolet<br>All CLK55 | <b>79.99 ea.</b>  | 4. | <b>33-152</b> Lower Control Arm 1998-02<br>Right, CLK320 & CLK430, Coupe<br>& Cabriolet | <b>389.99 ea.</b> |    |   |                   |

1998-02 Continued On Next Page

1998-02 Continued

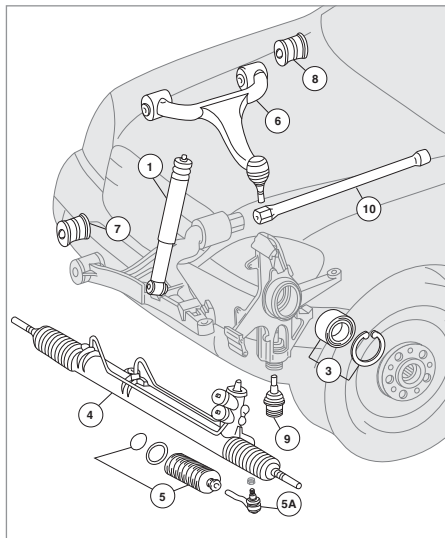
6.	<b>32-180</b> Front Bilstein Sport Shock 1998-02, CLK320 & 430 Coupe CLK320 & 430 Cabriolet	<b>109.99 ea.</b>
6.	<b>32-402</b> Front Shock 1998-02, CLK55 Coupe (Must Also Order 1 Of 32-404)	<b>459.99 ea.</b>
6.	<b>32-403</b> Front Shock 1998-02 CLK55 Cabriolet (Must Also Order 1 Of 32-404)	<b>229.99 ea.</b>
7.	<b>46-116</b> Idler Arm Bushing Repair Kit 1998-02, All Models	<b>17.99 ea.</b>
9.	<b>33-103</b> Wheel Bearing Set 1998-02 Front, All, Left Or Right	<b>19.99 ea.</b>
10.	<b>46-334</b> Draglink Assembly 1998-02 All Model	<b>279.99 ea.</b>
11.	<b>33-144</b> Draglink End 1998-02 All Models, Left Or Right	<b>24.99 ea.</b>
12.	<b>46-019</b> Steering Damper 1998-02 All Models	<b>41.99 ea.</b>
13.	<b>33-155</b> A-Arm Bushing Kit 1998-02 (1 Per Side)	<b>84.99 ea.</b>
14.	<b>33-031</b> Eccentric Bolt Kit 1998-02 (2 Per Side)	<b>13.99 ea.</b>
15.	<b>33-104</b> Ball Joint 1998-02 Left Or Right	<b>32.99 ea.</b>
16.	<b>46-392</b> Steering Box 1998-02	<b>469.99 ea.</b>
18.	<b>32-179A</b> Rear Bilstein Sport Shock 1998-02, CLK320 & CLK430, Coupe & Cabriolet	<b>94.99 ea.</b>



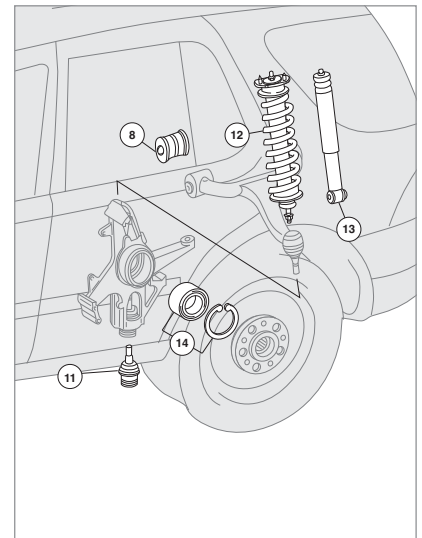
18.	<b>32-401</b> Rear Shock 1998-02, CLK55 Coupe (Also Order 32-404)	<b>414.99 ea.</b>	24.	<b>35-035K</b> Strut Arm 1998-02 All Models, Left Or Right	<b>44.99 ea.</b>
18.	<b>32-400</b> Rear Shock 1998-02, CLK55 Cabriolet (Also Order 32-404)	<b>224.99 ea.</b>	25.	<b>35-016</b> Tie Rod 1998-02 All Models, Left Or Right	<b>48.99 ea.</b>
20.	<b>35-015</b> Wheel Bearing Kit 1998-02 Rear, Left Or Right, All Models	<b>37.99 ea.</b>	26.	<b>35-038K</b> Thrust Arm 1998-02 All Models, Left Or Right	<b>49.99 ea.</b>
23.	<b>35-089K</b> Camber Strut 1998-02 All Models, Left Or Right	<b>44.99 ea.</b>			

## Front & Rear Suspension

1.	<b>32-177</b> Front Shock Absorber 1998-05 All Models '98-'05	<b>278.99 ea.</b>
2.	<b>32-365</b> Shock Mount Kit 1998-05 (Not Shown)	<b>53.99 ea.</b>
3.	<b>33-117</b> Front Wheel Bearing Set 1998-05	<b>43.99 ea.</b>
4.	<b>46-324</b> Rebuilt Rack & Pinion 1998-05, '98 To 08/2000 ML320, ML430, ML55	<b>379.99 ea.</b> Core Charge <b>200.00</b>
4.	<b>46-321</b> Rebuilt Rack & Pinion 1998-05 From 09/2000 ML320, ML430	<b>499.99 ea.</b> Core Charge <b>200.00</b>
4.	<b>46-322</b> Reman Rack & Pinion 1998-05 '02 ML55	<b>499.99 ea.</b> Core Charge <b>150.00</b>
5.	<b>46-320</b> Boot Kit 1998-05 (2 Req.)	<b>26.99 ea.</b>
5A.	<b>33-159</b> Outer Tie Rod End 1998-05 Left, All Models	<b>24.99 ea.</b>
5A.	<b>33-160</b> Outer Tie Rod End 1998-05 Right, All Models	<b>24.99 ea.</b>
6.	<b>33-157</b> Left Upper Control Arm 1998-05	<b>97.99 ea.</b>
6.	<b>33-158</b> Right Upper Control Arm 1998-05	<b>97.99 ea.</b>
7.	<b>33-114</b> Lower Control Arm Bushngs 1998-05	<b>13.99 ea.</b>
8.	<b>33-115</b> Upper Control Arm Bushngs 1998-05	<b>26.99 ea.</b>
9.	<b>33-116</b> Ball Joint 1998-05	<b>59.99 ea.</b>
10.	<b>32-361</b> Torsion Bar 1998-05 Left, To VIN# A464515	<b>201.99 ea.</b>



10.	<b>32-362</b> Torsion Bar 1998-05 Right, To VIN# A464515	<b>199.99 ea.</b>
10.	<b>32-363</b> Torsion Bar 1998-05 Left, From VIN# A464516	<b>201.99 ea.</b>
10.	<b>32-364</b> Torsion Bar 1998-05 Right, From VIN# A464516	<b>199.99 ea.</b>
11.	<b>35-088</b> Rear Ball Joints 1998-05	<b>42.99 ea.</b>
12.	<b>32-358</b> Rear Spring/Shock Assembly 1998-05, '98 To VIN# A093893 (12/1998)	<b>399.99 ea.</b>



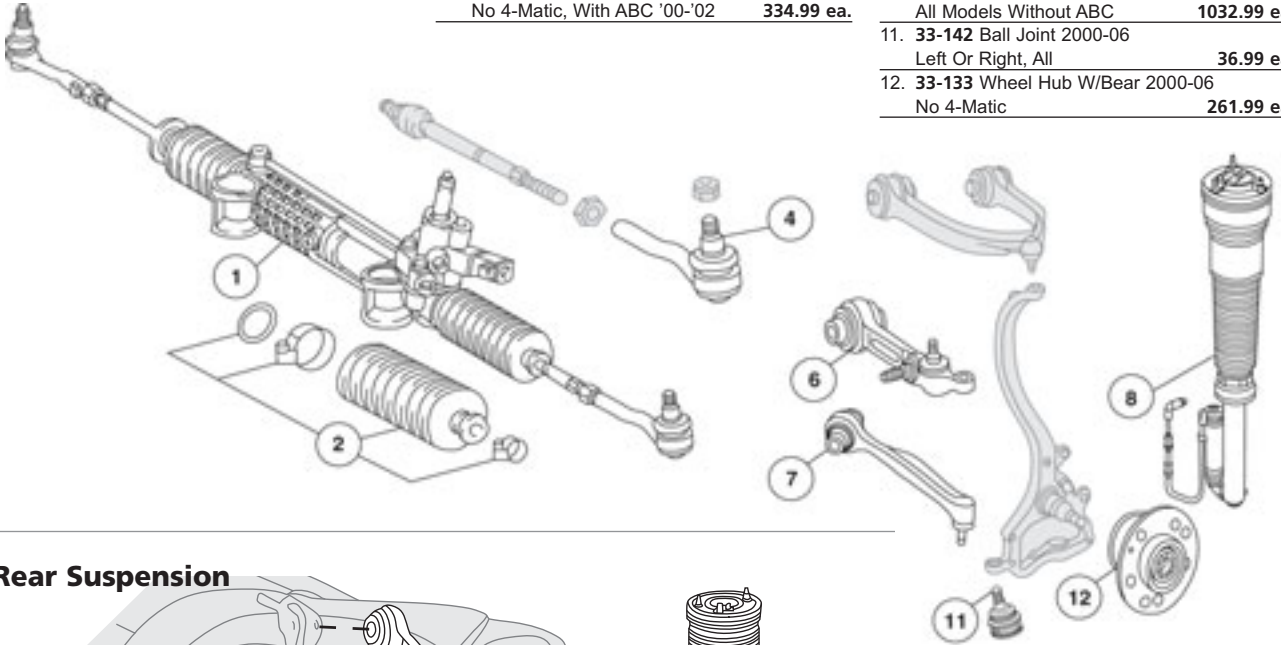
12.	<b>32-359</b> Rear Spring/Shock Assembly 1998-05, From VIN# A093894 (01/1999)	<b>399.99 ea.</b>
12.	<b>32-360</b> Rear Spring/Shock Assy 1998-05, ML55	<b>489.99 ea.</b>
13.	<b>32-109</b> Rear Shock 1998-05, 01/'99-'05 All Models Except ML55	<b>209.99 ea.</b>
14.	<b>33-117</b> Rear Wheel Bearings 1998-05	<b>43.99 ea.</b>

## Front Suspension/Steering

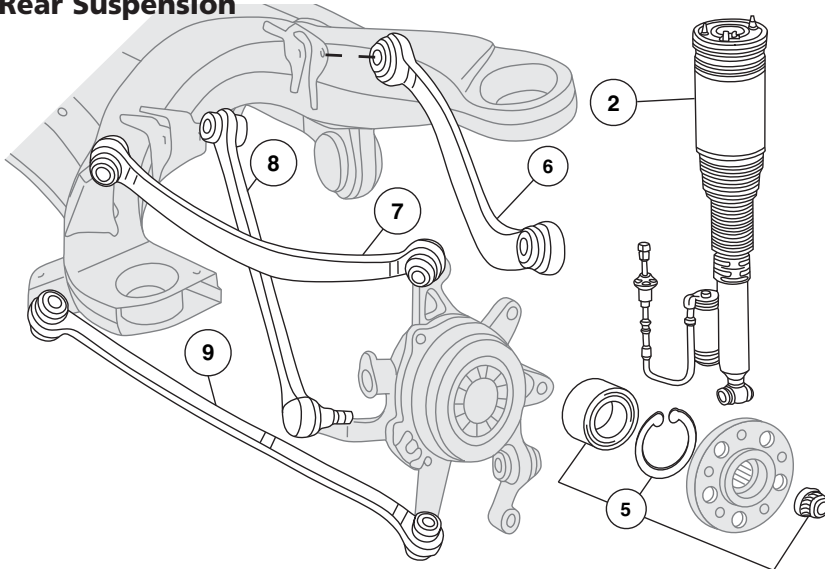
- 1. **46-378** Rebuilt Rack & Pinion 2000-06  
459.99 ea.  
For Vehicles Without Variable Steering,  
No 4-Matic 459.99 ea.  
Core Charge 150.00
- 2. **46-379** Boot Kits 2000-06 32.99 ea.

- 4. **33-143** Outer Tie Rods 2000-06  
No 4-Matic 47.99 ea.
- 6. **33-136** Left Control Arm 2000-06  
No 4-Matic, No ABC 124.99 ea.
- 6. **33-137** Right Control Arm 2000-06  
No 4-Matic, No ABC 124.99 ea.
- 6. **33-139** Control Arms 2000-06  
No 4-Matic, With ABC '00-'02 334.99 ea.

- 6. **33-140** Control Arms 2000-06  
No 4-Matic, With ABC '03-'06 334.99 ea.
- 7. **33-138** Left Strut Bar 2000-06  
Front, No 4-Matic 264.99 ea.
- 7. **33-134** Right Strut Bar 2000-06  
Front, No 4-Matic 116.99 ea.
- 8. **32-398** Front Air Suspension Strut  
All Models Without ABC 1032.99 ea.
- 11. **33-142** Ball Joint 2000-06  
Left Or Right, All 36.99 ea.
- 12. **33-133** Wheel Hub W/Bear 2000-06  
No 4-Matic 261.99 ea.



## Rear Suspension



- 2. **32-399** Rear Air Suspension Strut  
2000-06, No ABC 949.99 ea.
- 5. **35-091** Wheel Bearing Kit 2000-06  
S350, S430, S500 59.99 ea.
- 5. **35-092** Wheel Bearing Kit 2000-06  
S55, S600 58.99 ea.
- 6. **35-096** Camber Strut 2000-06, S350, S430,  
S500, S55 '01-'02, S600 '01-'02 164.99 ea.
- 6. **35-098** Camber Strut 2000-06  
S55 '03-'06, S600 '03-'06 267.99 ea.
- 7. **35-094** Tension Rod 2000-06, S350, S430,  
S500, S55 '01-'02, S600 '01-'02 164.99 ea.
- 7. **35-097** Tension Rod 2000-06  
S55 '03-'06, S600 '03-'06 267.99 ea.
- 8. **35-095** Tie Rod 2000-06  
All Models 127.99 ea.
- 9. **35-093** Thrust Arm 2000-06, S350, S430,  
S500, S55 '01-'02, S600 '01-'02 131.99 ea.
- 9. **35-099** Thrust Arm 2000-06  
S55 '03-'06, S600 '03-'06 267.99 ea.

## Front Suspension/Steering

See Illustration On Next Page

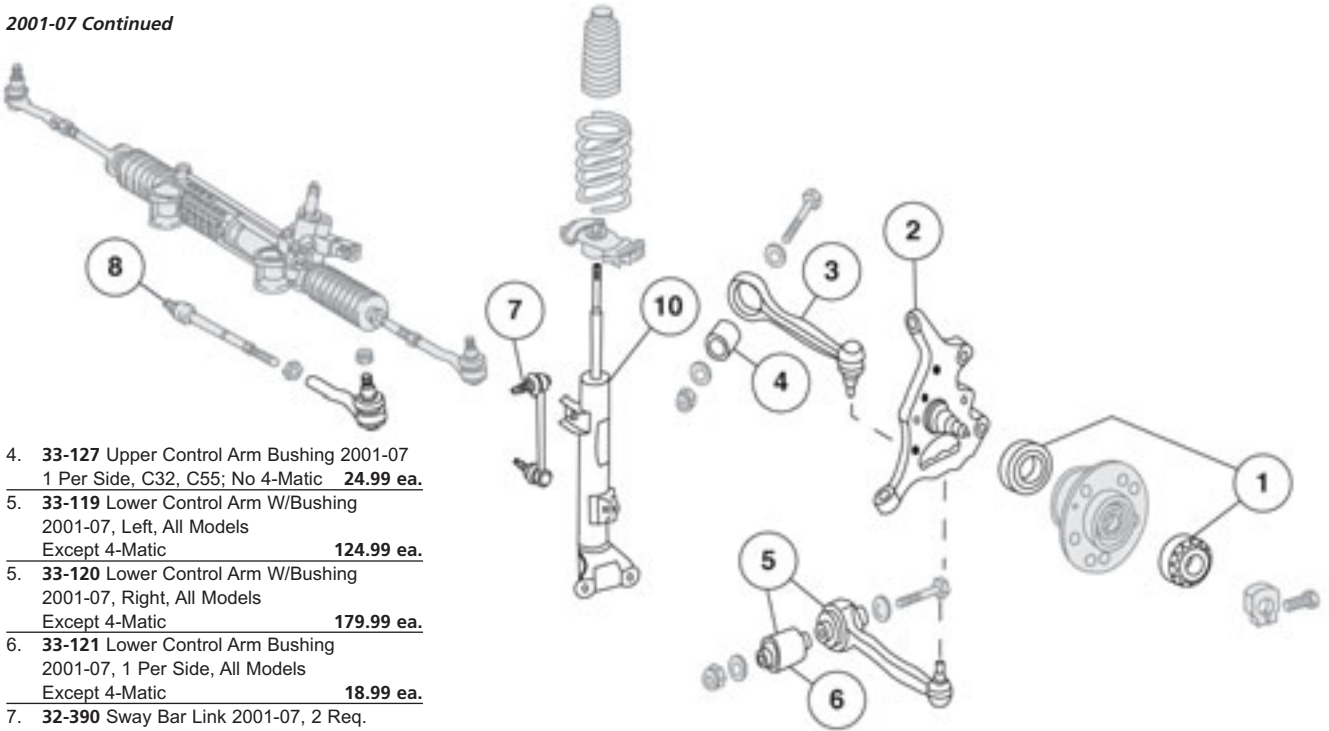
- 1. **33-122** Front Wheel Bearing Kit 2001-07  
Per Side, All Models, Expt 4-Matic 39.99 ea.

- 2. **33-123** Steering Knuckle 2001-07  
Left, All Models Except 4-Matic 334.99 ea.
- 2. **33-124** Steering Knuckle 2001-07  
Right, All Models Except 4-Matic 334.99 ea.
- 3. **33-125** Upper Control Arm W/O Bushing  
2001-07, Left, All Models  
Except 4-Matic 167.99 ea.

- 3. **33-126** Upper Control Arm W/O Bushing  
2001-07, Right, All Models  
Except 4-Matic 161.99 ea.
- 4. **33-132** Upper Control Arm Bushing 2001-07  
1 Per Side, All Models Except 4-Matic,  
C32, C55 34.99 ea.

2001-07 Continued On Next Page

2001-07 Continued

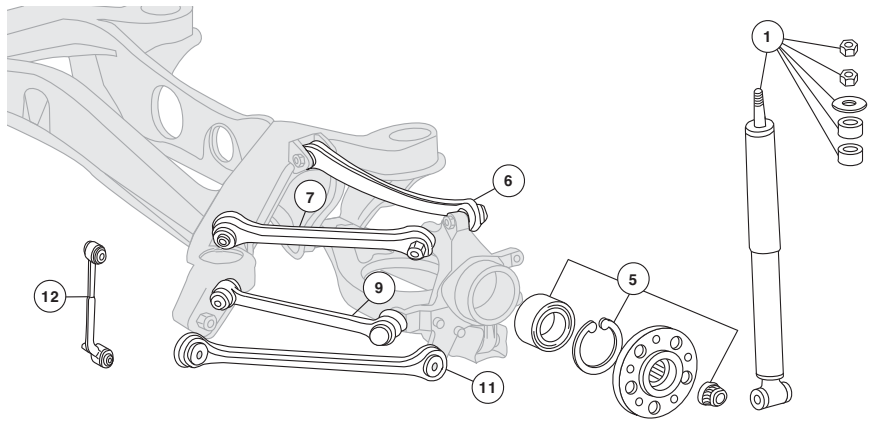


- 4. **33-127** Upper Control Arm Bushing 2001-07  
1 Per Side, C32, C55; No 4-Matic **24.99 ea.**
- 5. **33-119** Lower Control Arm W/Bushing  
2001-07, Left, All Models  
Except 4-Matic **124.99 ea.**
- 5. **33-120** Lower Control Arm W/Bushing  
2001-07, Right, All Models  
Except 4-Matic **179.99 ea.**
- 6. **33-121** Lower Control Arm Bushing  
2001-07, 1 Per Side, All Models  
Except 4-Matic **18.99 ea.**
- 7. **32-390** Sway Bar Link 2001-07, 2 Req.  
Std Sdn/Wgn 01-06; Sport Sdn/Wgn '01-'04;  
All Standard Coupes; Sport Coupes  
(Code 486) To VIN# A407462  
No 4-Matic, No C32/C55 **31.99 ea.**
- 7. **32-391** Sway Bar Link 2001-07, 2 Req.  
Sport Sdn/Wgn (Code 486) '05-'06; Sport  
Coupe (Code 486) From VIN# A407463  
C32 & C55 From VIN# F587515/R127597  
All 4-Matic W/Sport (Code 486) **45.99 ea.**
- 7. **32-393** Sway Bar Link 2001-07  
2 Req., C32 & C55 To VIN# F587514  
& To VIN# R157596 **45.99 ea.**

- 7. **32-392** Sway Bar Link 2001-07  
2 Req., All 4-Matic Standard Models  
(No Sport Code 486) **52.99 ea.**
- 8. **33-128** Tie Rod End 2001-07  
Left, All Models Except 4-Matic **34.99 ea.**
- 8. **33-129** Tie Rod End 2001-07  
Right, All Models Except 4-Matic **35.99 ea.**
- 8. **33-130** Tie Rod End 2001-07  
Left, All 4-Matic **62.99 ea.**
- 8. **33-131** Tie Rod End 2001-07  
Right, All 4-Matic **61.99 ea.**
- 10. **32-376** Shock 2001-07, Bilstein Heavy Duty  
C240/C320/C230/C32/C55 Sedans;  
No 4-Matic **287.99 ea.**
- 10. **32-383** Shock 2001-07, C240 & C320  
Wagons, No 4-Matic **281.99 ea.**
- 10. **32-381** Shock 2001-07, C280 & C350  
Sedans, No Sport, No 4-Matic **241.99 ea.**
- 10. **32-388** Shock 2001-07, C230  
& C320 Coupes **219.99 ea.**

## Rear Suspension

- 1. **32-377** Rear Shock 2001-07, Bilstein  
Heavy Duty, C230, C240, C320, C32  
C55 Sedans, No 4-Matic **149.99 ea.**
- 1. **32-382** Rear Shock 2001-07, C280 & C350,  
Inc. Sport, No 4-Matic **197.99 ea.**
- 1. **32-384** Rear Shock 2001-07, C240/C320  
Wagons To VIN# F433262,  
No 4Matic **194.99 ea.**
- 1. **32-385** Rear Shock 2001-07, C240/C320  
Wagons From VIN# F433263,  
No 4Matic **234.99 ea.**
- 1. **32-389** Rear Shock 2001-07  
All C230 & C320 Coupes **231.99 ea.**
- 5. **35-015** Wheel Bearing Kit 2001-0  
1 Per Side, All Models Except C32,  
C55 **37.99 ea.**
- 5. **35-100** Wheel Bearing Kit 2001-07  
C32, C55, One Per Side **171.99 ea.**
- 6. **35-089** Camber Strut 2001-07  
Left Or Right, All Models **34.99 ea.**
- 7. **35-035** Control Arm Strut 2001-07  
Left Or Right, All Models **24.99 ea.**



- 9. **35-090** Tie Rod 2001-07  
Left Or Right, All Models **65.99 ea.**
- 11. **35-038** Thrust Arm 2001-07  
Left Or Right, All Models **20.99 ea.**
- 12. **32-394** Sway Bar Link 2001-07  
Left, All Models **29.99 ea.**
- 12. **32-395** Sway Bar Link 2001-07  
Right, All Models **27.99 ea.**