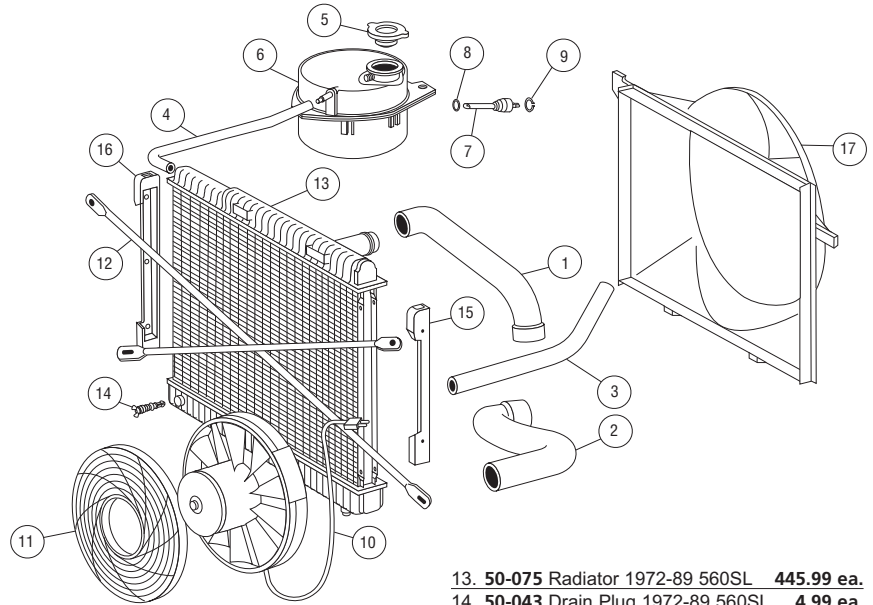


Cooling System

- 1. **50-088** Radiator Hose, Upper 1972-89
450SL, 450SLC **11.99 ea.**
- 1. **50-084** Radiator Hose, Upper 1972-89
380SL To VIN# 006627 (Mid '81)
380SLC To VIN# 00297 (Mid '81) **5.99 ea.**
- 1. **50-148** Radiator Hose, Upper 1972-89
380SL From VIN# 006628 (Mid '81)
380SLC From VIN# 002972 (Mid '81)
9.99 ea.
- 1. **50-086** Radiator Hose, Upper 1972-89
560SL **11.99 ea.**
- 2. **50-083** Radiator Hose, Lower 1972-89
450SL, SLC **11.99 ea.**
- 2. **50-085** Radiator Hose, Lower 1972-89
380SL, SLC **11.99 ea.**
- 2. **50-087** Radiator Hose, Lower 1972-89
560SL **59.99 ea.**
- 3. **83-074** Radiator To Expansion Tank Hose
1972-89 450SL, SLC, 70 cm
380SL, SLC, 70 cm
(Sold Per Meter) **22.99 ea.**
- 4. **83-072** Radiator Hose, Overflow
All Models From 1972 To '81
(Sold In 2 Meter Lengths Only) **13.99 ea.**
- 4. **50-147** Radiator Hose, Overflow 1982-89
380SL **44.99 ea.**
- 4. **50-232** Radiator To Expansion Tank Hose
1972-89 560SL (1 Meter) **21.99 ea.**
- 5. **50-002** Radiator Cap 1972-89 **4.99 ea.**
- 6. **50-151** Expansion Tank 1972-89
450SL To VIN# 021171 (Mid '75)
450SLC To VIN# 007849 (Mid '75) **419.99 ea.**
- 6. **50-076** Expansion Tank 1972-89
450SL From VIN# 021172 (Mid '75)
450SLC From VIN# 007850 (Mid '75)
380SL, SLC **109.99 ea.**
- 6. **50-077** Expansion Tank 1972-89 560SL
59.99 ea.
- 7. **54-059** Coolant Sensor 1972-89 560SL
8.99 ea.
- 8. **50-020** O-Ring 1972-89 560SL **1.99 ea.**
- 9. **50-019** Lock Clip 1972-89 560SL **5.99 ea.**
- 10. **50-008** Auxiliary Fan 1972-89
450SL From '74,
450SLC From '74,
380SL, SLC **139.99 ea.**
- 10. **50-007** Auxiliary Fan 1972-89 560SL
144.99 ea.



- 11. **50-149** Auxiliary Fan Screen 1972-89
450SL To VIN# 014753
450SLC To VIN# 003812 **6.99 ea.**
- 11. **50-089** Auxiliary Fan Screen 1972-89
450SL From VIN# 014754
450SLC From VIN# 003813
380SL, SLC **9.99 ea.**
- 11. **50-033** Auxiliary Fan Screen 1972-89
560SL **10.99 ea.**
- 12. **50-150** Auxiliary Fan Bracket 1972-89
450SL From VIN# 021762 ('75)
450SLC From VIN# 008208 ('75) **197.99 ea.**
- 13. **50-080** Radiator 1972-89
450SL To VIN# 015081 Federal
To VIN# 016013 California
450SLC To VIN# 004127 Federal
To VIN# 004940 California **1099.99 ea.**
- 13. **50-081** Radiator 1972-89
450SL From VIN# 015082 Federal
From VIN# 016014 California
450SLC From VIN# 004128 Federal
From VIN# 004941 California **649.99 ea.**
- 13. **50-082** Radiator 1972-89 380SL, SLC
508.99 ea.

- 13. **50-075** Radiator 1972-89 560SL **445.99 ea.**
- 14. **50-043** Drain Plug 1972-89 560SL **4.99 ea.**
- 15. **50-091** Radiator Mounting Strip, Left
1972-85 All Models **4.99 ea.**
- 16. **50-090** Radiator Mounting Strip, Right
1972-85 All Models **3.99 ea.**
- 17. **50-092** Fan Shroud 1972-80 All Models
45.99 ea.
- 17. **50-093** Fan Shroud 1981-85 All Models
79.99 ea.
- 17. **50-094** Fan Shroud 1972-89 560SL
71.99 ea.
- 83-404** Hose Kit 1972-89 All Models To '75
89.99 kit
- 83-405** Hose Kit 1976-77 All Models **106.99 kit**
- 83-407** Hose Kit 1978-80 All Models **119.99 kit**
- 83-408** Hose Kit 1972-89
380SL To VIN# 006627
380SLC To VIN# 002971 **129.99 kit**
- 83-409** Hose Kit 1972-89
380SL From VIN# 006628
To VIN# 009933 ('81)
380SLC From VIN# 002972 (Mid '82)
129.99 kit
- 83-411** Hose Kit 1972-89
380SL From VIN# 009934 ('82) **129.99 kit**
- 83-410** Hose Kit 1972-89 560SL **104.99 kit**

Cooling System

See Illustration On Next Page

- 1. **18-015** Oil Cooler 1977-85
240D To VIN# 110870 **239.99 ea.**
- 1. **18-016** Oil Cooler 1977-85
240D From VIN# 110871 **144.99 ea.**
- 1. **18-013** Oil Cooler 1977-85
All 300 Nonturbo **291.99 ea.**
- 1. **18-014** Oil Cooler 1977-85
All 300 Turbo **359.99 ea.**
- 2. **50-023** Radiator-Behr 1977-85
230
240D **189.99 ea.**

- 2. **50-112** Radiator-Behr 1977-85
280E, CE **299.99 ea.**
- 2. **50-009** Radiator-Behr 1977-85
All Nonturbo Models **489.99 ea.**
- 3. **50-001** Radiator-Behr 1977-85
All Turbo Models **329.99 ea.**
- 6. **50-039** Radiator Mounting Kit 1977-85
6.99 kit
- 7. **50-065** Radiator Drain Plug 1977-85
All Models **3.99 ea.**
- 10. **50-008** Auxiliary Fan 1977-85
All 123 Models **139.99 ea.**
- 11. **50-021** Auxiliary Fan Screen 1977-85
All 123 Models **10.99 ea.**

- 12. **50-026** Fan Shroud 1977-85
240D From VIN# 110871 **26.99 ea.**
- 12. **50-027** Fan Shroud 1977-85
300D Nonturbo **45.99 ea.**
- 12. **50-029** Fan Shroud 1977-85
123 Turbo **39.99 ea.**
- 13. **20-006** Fan Clutch 1977-85
280E, CE
300D, CD, TD Nonturbo
300D Turbo To ENG# 036024
300CD Turbo To ENG# 003977
300TD Turbo To ENG# 000008 **64.99 ea.**

- 13. **20-007** Fan Clutch 1977-85
No Nonturbo Models
300D Turbo From ENG# 036025
300CD Turbo From ENG# 003978
300TD Turbo From ENG# 000009 **179.99 ea.**

- 13. **20-104** Fan Clutch, European 1977-85
280E Fits ENG# 110.984 & 110.988
280CE Fits ENG# 110.984 & 110.988
234.99 ea.

- 14. **98-007** Fan Clutch Bolt 1977-85
All Models **5.99 ea.**

- 15. **20-020** Fan Blade, Metal 1977-85
230
240D **19.99 ea.**

- 16. **20-015** Fan Blade, Metal 1977-85
280E
280CE
300 Nonturbo Models
300CD Turbo Up To ENG# 003978
300D Turbo Up To ENG# 036024
300TD Turbo **144.99 ea.**

- 17. **20-017** Fan Blade, Plastic 1977-85
280E
280CE
300 Nonturbo Models
300CD Turbo From ENG# 003978
300D Turbo From ENG# 036025
300TD Turbo **52.99 ea.**

- 25. **50-003K** Expansion Tank 1977-85
All Turbo Models, Federal **41.99 ea.**

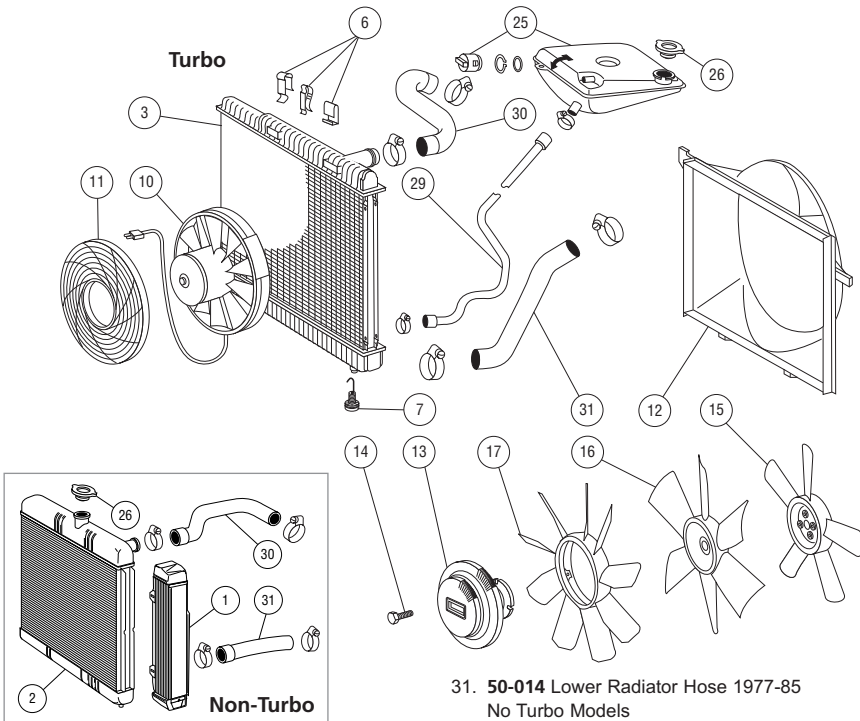
- 25. **50-126K** Expansion Tank 1977-85
All Turbo Models, California **74.99 ea.**

- 26. **50-002** Radiator Cap 1977-85 **4.99 ea.**

- 29. **50-016** Expansion Tank Hose 1977-85
All Turbo Models, Federal **5.99 ea.**

- 29. **50-022** Expansion Tank Hose 1977-85
All Turbo Models, California **5.99 ea.**

- 30. **50-013** Upper Radiator Hose 1977-85
No Turbo Models
240D To VIN# 110870 (Mid '79)
300D To VIN# 133345 (Mid '79)
300CD To VIN# 003811 (Mid '79)
300TD To VIN# 004443 (Mid '79) **6.99 ea.**



- 30. **50-012** Upper Radiator Hose 1977-85
240D From VIN# 110871 (Mid '79)
300D From VIN# 133346 (Mid '79)
300CD From VIN# 003812 (Mid '79)
300TD From VIN# 004444 (Mid '79)
All Turbo 123 Models **8.99 ea.**

- 30. **50-132** Upper Radiator Hose 1977-85
230 **11.99 ea.**

- 30. **50-109** Upper Radiator Hose 1977-85
280E, CE **9.99 ea.**

- 31. **50-101** Lower Radiator Hose, Mid, 1977-85
280E, CE **6.99 ea.**

- 31. **50-014** Lower Radiator Hose 1977-85
No Turbo Models
240D To VIN# 110870 (Mid '79)
300D To VIN# 133345 (Mid '79)
300CD To VIN# 003811 (Mid '79)
300TD To VIN# 004443 (Mid '79) **13.99 ea.**

- 31. **50-015** Lower Radiator Hose 1977-85
All Turbo 123 Models
230 All
240D From VIN# 110871 (Mid '79)
300D From VIN# 133346 (Mid '79)
300CD From VIN# 003812 (Mid '79)
300TD From VIN# 004444 (Mid '79) **9.99 ea.**

- 31. **50-108** Lower Radiator Hose 1977-85
280E, CE **6.99 ea.**

Cooling System

See Illustration On Next Page

- 1. **18-014** Oil Cooler, 1981-91
All Diesels To '85 **359.99 ea.**

- 1. **50-138** Oil Cooler, 1981-91
All Diesels From '86 **299.99 ea.**

- 2. **50-001** Radiator-Behr 1981-91
300SD **329.99 ea.**

- 2. **50-057** Radiator-Behr 1981-91
All Diesels From '86 **333.99 ea.**

- 2. **50-072** Radiator-Behr 1981-91
All Gas Models, Except 300SE, SEL
519.99 ea.

- 2. **50-110** Radiator-Behr 1981-91
300SE, SEL **224.99 ea.**

- 3. **50-065** Radiator Drain Plug 1981-91
All Models, Except 300SE & 300SEL **3.99 ea.**

- 3. **50-043** Radiator Drain Plug 1981-91
300SE, SEL **4.99 ea.**

- 4. **50-039** Radiator Mounting Kit 1981-91
6.99 ea.

- 5. **50-008** Auxiliary Fan 1981-91
300SD To '84 **139.99 ea.**

- 5. **50-007** Auxiliary Fan 1981-91
300SD '85, 300SDL
560SEC To Chassis# 521035 (Mid '90)
All Gas Models To Chassis# 496759 (Mid '90)
144.99 ea.

- 5. **50-135** Auxiliary Fan, Left 1981-91
350SD, SDL
All Gas Models From VIN# 496760 (Mid '90)
Except 560SEC **171.99 ea.**

- 5. **50-136** Auxiliary Fan, Right 1981-91
350SD, SDL
All Gas Models From VIN# 496760 (Mid '90)
Except 560SEC **105.99 ea.**

- 5. **50-141** Auxiliary Fan 1981-91
560SEC From VIN# 521036 (Mid '90)
659.99 ea.

- 6. **50-089** Auxiliary Fan Screen 1981-91
300SD To '84 **9.99 ea.**

- 6. **50-033** Auxiliary Fan Screen 1981-91
300SD '85, 300SDL
All Gas Sedans & Coupes To VIN# 496759,
(Mid '90) **10.99 ea.**

- 6. **50-142** Auxiliary Fan Screen 1981-91
350SD, SDL
All Gas Sedans & Coupes From
VIN# 496760 (Mid '90) **26.99 ea.**

- 10. **50-029** Fan Shroud 1981-91
300SD **39.99 ea.**

- 10. **50-137** Fan Shroud 1981-91
All Diesels From '86 **57.99 ea.**

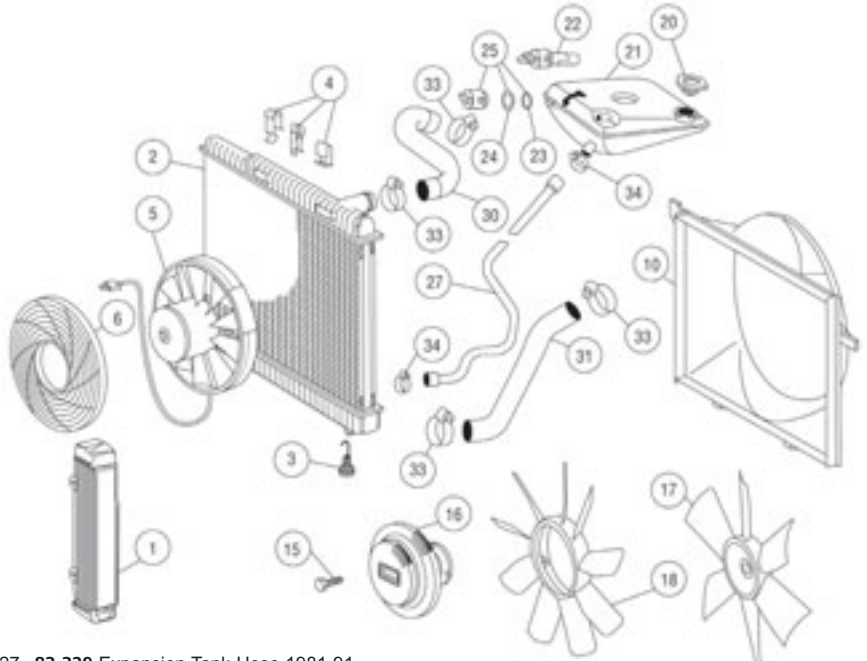
- 10. a Fan Shroud 1981-91
300SE, SEL **41.99 ea.**

- 10. **50-120** Fan Shroud, 1981-91
All V8 Models **54.99 ea.**

1981-91 Continued On Next Page

1981-91 Continued

- 15. **98-007** Fan Clutch Bolts 1981-91
300SD **5.99 ea.**
- 16. **20-006** Fan Clutch 1981-91
300SD To ENG# 039510 **64.99 ea.**
- 16. **20-007** Fan Clutch 1981-91
300SD From ENG# 039511 **179.99 ea.**
- 16. **20-033** Fan Clutch 1981-91
All Diesels From '86 **199.99 ea.**
- 16. **20-025** Fan Clutch 1981-91
300SE, SEL
To ENG# 045442 Must Also Replace 20-030
Fan Blade **69.99 ea.**
- 16. **20-090** Fan Clutch 1981-91
All V8 Models **69.99 ea.**
- 17. **20-015** Fan Blade, Metal, 6 Blade 1981-91
300SD, See Also 9 Blade Plastic 20-017
144.99 ea.
- 18. **20-017** Fan Blade, Plastic, 9 Blade 1981-91
300SD **52.99 ea.**
- 18. **20-056** Fan Blade, Metal 1981-91
All Diesels From '86 **369.99 ea.**
- 18. **20-030** Fan Blade, Plastic 1981-91
300SE, SEL
To ENG# 045442 Must Also Replace 20-025
Fan Clutch **29.99 ea.**
- 18. **20-096** Fan Blade, Metal 1981-91
All V8 Models **289.99 ea.**
- 20. **50-002** Coolant Cap 1981-91 **4.99 ea.**
- 21. **50-003K** Coolant Expansion Tank 1981-91
All Models, Except Diesel Models From '86
41.99 ea.
- 21. **50-006** Coolant Expansion Tank 1981-91
All Diesel Models From '86 **224.99 ea.**
- 22. **54-059** Coolant Level Indicator 1981-91
All Models From '86 **8.99 ea.**
- 23. **50-020** O-Ring 1981-91 **1.99 ea.**
- 24. **50-019** Plug Fastening Clip 1981-91 **5.99 ea.**
- 25. **50-004** Plug Kit 1981-91
All Models To '85 **8.99 ea.**
- 27. **50-017** Expansion Tank Hose 1981-91
Expansion Tank To Bottom Of Radiator
All V-8, 300SD **12.00 ea.**

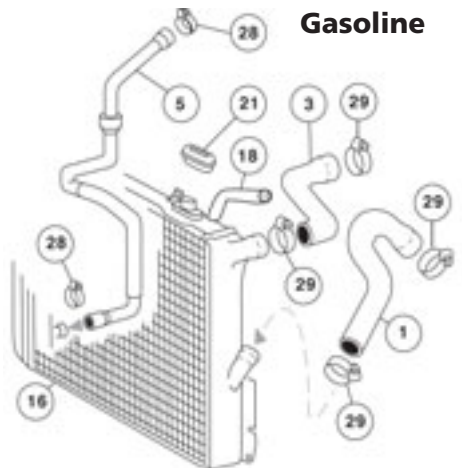


- 27. **83-329** Expansion Tank Hose 1981-91
Expansion Tank To Bottom Of Radiator
300SE, SEL **10.99 ea.**
- 30. **50-012** Upper Radiator Hose 1981-91
300SD **8.99 ea.**
- 30. **50-116** Upper Radiator Hose 1981-91
All Diesel Models From '86 **3.99 ea.**
- 30. **50-139** Upper Radiator Hose 1981-91
300SE, SEL **5.99 ea.**
- 30. **50-118** Upper Radiator Hose 1981-91
All V8 Models From '86 **8.99 ea.**
- 30. **50-115** Upper Radiator Hose 1981-91
All V8 Models To '85 **9.99 ea.**
- 31. **50-015** Lower Radiator Hose 1981-91
300SD **9.99 ea.**
- 31. **50-096** Lower Radiator Hose 1981-91
All Diesels From '86 **39.99 ea.**
- 31. **50-129** Lower Radiator Hose 1981-91
300SEL To Chassis# A377181 (Mid '88)
6.99 ea.
- 31. **50-140** Lower Radiator Hose 1981-91
300SE
300SEL From Chassis# A377182 (Mid '88)
5.99 ea.
- 31. **50-114** Lower Radiator Hose 1981-91
All V8 Models To '85 Except 500SEL
9.99 ea.
- 31. **83-330** Lower Radiator Hose 1981-91
500SEL **8.99 ea.**
- 31. **50-117** Lower Radiator Hose 1981-91
All V8 Models From '86 **9.99 ea.**
- 33. **98-005** Hose Clamp 1981-91 **0.99 ea.**
- 34. **98-003** Hose Clamp 1981-91 **1.99 ea.**

Cooling System 1986-89

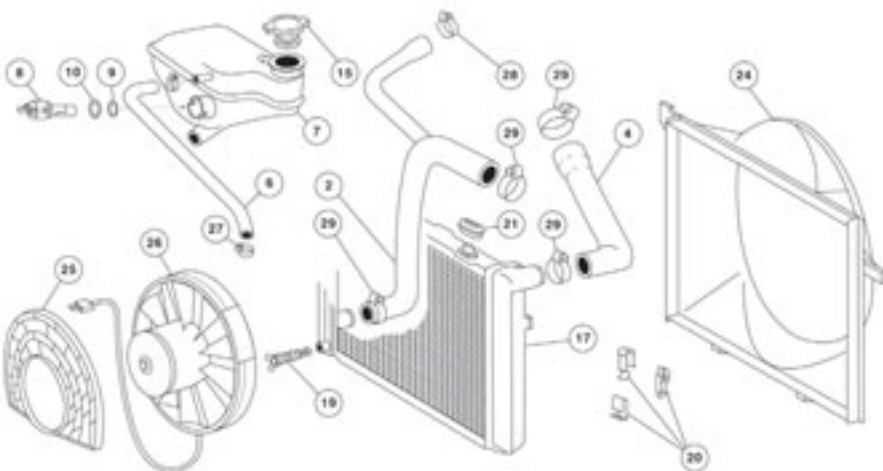
- 1. **50-031** Lower Radiator Hose 1986-89
260E To VIN# A621368 (Mid '88)
300E To VIN# A621368 (Mid '88)
300TE To VIN# F058608 (Mid '88)
300CE Coupe To VIN# A621368 (Mid '88)
12.60 ea.
- 1. **50-125** Lower Radiator Hose 1986-89
260E From VIN# A621369 (Mid '88)
300E From VIN# A621369 (Mid '88)
300TE From VIN# F058609 (Mid '88)
300CE Coupe From VIN# A621369 (Mid '88)
11.99 ea.
- 2. **50-124** Lower Radiator Hose 1986-89
All Diesel Models '87 **25.99 ea.**
- 3. **50-032** Upper Radiator Hose 1986-89
All Gasoline Models '86 To '89 **10.99 ea.**
- 4. **50-122** Upper Radiator Hose 1986-89
All Diesel Models '87 **7.99 ea.**

- 5. **50-044** Expansion Tank Hose 1986-89
All Gasoline Models '86 To '89 **15.00 ea.**
- 6. **83-072** Hose, Expansion Tank To Thermostat
1986-89 100cm Required)
(Sold In 2 Meter Lengths **13.99 ea.**
- 7. **50-040** Expansion Tank 1986-89
All Gas Models '86 To '89, Requires (1)
Part # 50-020 **34.99 ea.**
- 7. **50-162** Expansion Tank* 1986-89
All Gas Models '86 To '89, Requires (1)
Part # 50-020 **159.99 ea.**
- 7. **50-095** Expansion Tank 1986-89
All Diesel Models, Requires (1)
Part # 50-020 **79.99 ea.**
- 8. **54-059** Expansion Tank Level Sensor
1986-95 All Models '86 To '89 **8.99 ea.**
- 9. **50-020** O-Ring Seal 1986-89
All Models '86 To '89 **1.99 ea.**
- 10. **50-019** Snap Ring 1986-89
All Models 86 To '89 **5.99 ea.**



1986-95 260E / 300E2.6, 300D2.5, 300E2.8, 300E / E320, 300CE, 300TD, 300TE, 400E / E420, 500E / E500, E300D 124 Chassis

- 15. **50-002** Radiator Cap 1986-89
All Models '86 To '89 **4.99 ea.**
- 16. **50-130** Radiator 1986-89
All Gasoline Models '86 To '89 **185.99 ea.**
- 17. **50-121** Radiator 1986-89
All Diesel Models '87 **244.99 ea.**
- 18. **50-113** Radiator Overflow Fitting 1986-89
All Gasoline Models '86 To '89 **2.99 ea.**
- 19. **50-043** Radiator Drain Plug 1986-89
All Models '86 To '89 **4.99 ea.**
- 20. **50-039** Radiator Mount Kit 1986-89
All Models '86 To '89 **6.99 ea.**
- 21. **50-053** Radiator Mount Grommet 1986-89
All Models '86 To '89 **2.99 ea.**
- 24. **50-143** Fan Shroud 1986-89
All Gasoline Models '86 To '89 **54.99 ea.**
- 24. **50-144** Fan Shroud 1986-89
All Diesel Models '87 **79.99 ea.**
- 25. **50-033** Auxiliary Fan Grill 1986-89
260E To VIN# A906404 (Mid '89)
300E To VIN# A906404 (Mid '89)
300D '87
300TE To VIN# F097243 (Mid '89)
300TD '87
300CE Coupe To VIN# 906404 (Mid '89)
10.99 ea.
- 25. **50-145** Auxiliary Fan Grill 1986-89
260E From VIN# A906405 (Mid '89)
300E From VIN# A906405 (Mid '89)
300TE From VIN# F097244 (Mid '89)
300CE Coupe From VIN# 906405 (Mid '89)
39.99 ea.



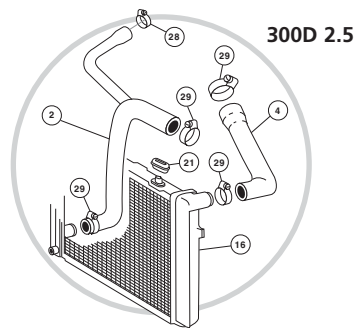
- 26. **50-007** Auxiliary Fan 1986-89
260E To VIN# A906404 (Mid '89)
300E To VIN# A906404 (Mid '89)
300D '87
300TE To VIN# F097243 (Mid '89)
300TD '87
300CE Coupe To VIN# 906404 (Mid '89)
144.99 ea.
- 26. **50-146** Auxiliary Fan 1986-89
260E From VIN# A906405 (Mid '89)
300E From VIN# A906405 (Mid '89)
300TE From VIN# F097244 (Mid '89)
300CE Coupe From VIN# 906405 (Mid '89)
205.99 ea.

- 27. **98-001** Hose Clamp, 10-16mm 1986-89 **1.99 ea.**
- 28. **98-003** Hose Clamp, 20-30mm 1986-89 **1.99 ea.**
- 29. **98-004** Hose Clamp, 25-40mm 1986-89 **1.99 ea.**

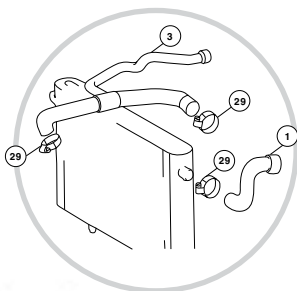
**Only For Vehicles With Anti-Gurgle Campaign Performed At The Recalling Mercedes-Benz® Dealership.*

1990-95 260E / 300E2.6, 300D2.5, 300E2.8, 300E / E320, 300CE, 300TD, 300TE, 400E / E420, 500E / E500, E300D 124 Chassis

Cooling System 1990-95



300D 2.5



400E, 500E

- 1. **50-125** Lower Radiator Hose 1990-95
300E 2.6; 300E, CE, TE Up To '92; 4-Matic
11.99 ea.
- 1. **50-153** Lower Radiator Hose 1990-95
300E 2.8; 300E, CE, TE From '93; All E320
19.99 ea.
- 1. **50-154** Lower Radiator Hose 1990-95
All V-8 **54.99 ea.**
- 1. **50-155** Lower Radiator Hose 1990-95
E300D '95 **12.99 ea.**
- 2. **50-156** Lower Radiator Hose 1990-95
300D 2.5 Turbo **25.99 ea.**

- 3. **50-032** Upper Radiator Hose 1990-95
300E 2.6; 300E, CE, TE Up To '92; 4-Matic
10.99 ea.
- 3. **50-157** Upper Radiator Hose 1990-95
300E 2.8; 300E, CE, TE From '93; All E320
9.99 ea.
- 3. **50-171** Upper Radiator Hose, 1990-95
All V-8 **12.99 ea.**

- 3. **50-159** Upper Radiator Hose 1990-95
E300D '95 **15.99 ea.**
- 4. **50-160** Upper Radiator Hose 1990-95
300D 2.5 Turbo **5.99 ea.**
- 5. **50-044** Expansion Tank Hose 1990-95
300E 2.6; 300E, CE, TE Up To '92; 4-Matic
15.00 ea.

1990-95 Continued On Next Page

1990-95 260E / 300E2.6, 300D2.5, 300E2.8, 300E / E320, 300CE, 300TD, 300TE, 400E / E420, 500E / E500, E300D 124 Chassis

1990-95 Continued

5. 50-161 Expansion Tank Hose 1990-95 300E 2.8; 300E, CE, TE From '93; All E320	7. 50-095 Expansion Tank, 1990-95 300D 2.5 Turbo	24. 50-143 Fan Shroud 1990-95 300E 2.6; 300E, TE, CE; All E320; 4-Matic
22.99 ea.	79.99 ea.	54.99 ea.
5. 50-167 Expansion Tank Hose 1990-9532.99 E300D '95	8. 54-059 Expansion Tank Level Sensor 1990-95 All Models	24. 50-165 Fan Shroud 1990-95 300D 2.5 Turbo
32.99 ea.	8.99 ea.	56.99 ea.
6. 83-072 Hose, Expansion Tank To Thermostat 1990-95 (Sold In 2 Meter Lengths Only)	15. 50-002 Radiator Cap, 1990-95 All Models	24. 50-144 Fan Shroud 1990-95 E300D '95
13.99 ea.	4.99 ea.	79.99 ea.
7. 50-040 Expansion Tank 1990-95 300E 2.6; 300E, CE, TE Up To '92; 4-Matic	16. 50-130 Radiator 1990-95 All Gasoline Models Except V-8	24. 50-169 Fan Shroud 1990-95 V-8, Upper Half
34.99 ea.	185.99 ea.	79.99 ea.
7. 50-162 Expansion Tank* 1990-95 300E 2.6; 300E, CE, TE Up To '92; 4-Matic	16. 50-173 Radiator 1990-95 300D 2.5 Turbo	24. 50-170 Fan Shroud 1990-95 V-8, Lower Half
159.99 ea.	196.99 ea.	156.99 ea.
7. 50-172 Expansion Tank 1990-95 300E 2.8; 300E, CE, TE From '93; All E320	16. 50-174 Radiator, 1990-95 E300D '95	25. 50-168 Auxiliary Fan Grille 1990-95 All Models Except V-8
30.99 ea.	218.99 ea.	26.99 ea.
7. 50-163 Expansion Tank, 1990-95 All V-8	16. 50-175 Radiator, 1990-95 All V-8	25. 50-166 Auxiliary Fan Grille 1990-95 All V-8
109.99 ea.	349.99 ea.	46.99 ea.
7. 50-164 Expansion Tank, 1990-95 E300D '95	18. 50-113 Radiator Overflow Fitting 1990-95 All Gasoline Models	26. 50-136 Auxiliary Fan 1990-95 (2 Req.), All
76.99 ea.	2.99 ea.	105.99 ea.
	19. 50-043 Radiator Drain Plug, 1990-95 All	27. 98-001 Hose Clamp, 10-16mm
	4.99 ea.	1.99 ea.
	20. 50-039 Radiator Mount Kit, All 1990-95	28. 98-003 Hose Clamp, 20-30mm
	6.99 ea.	1.99 ea.
	21. 50-053 Radiator Mount Grommet 1990-95 All Models Except 500E, E500	29. 98-004 Hose Clamp, 25-40mm
	2.99 ea.	1.99 ea.
	21. 50-064 Radiator Mount Grommet 1990-95 500E, E500	
	7.99 ea.	

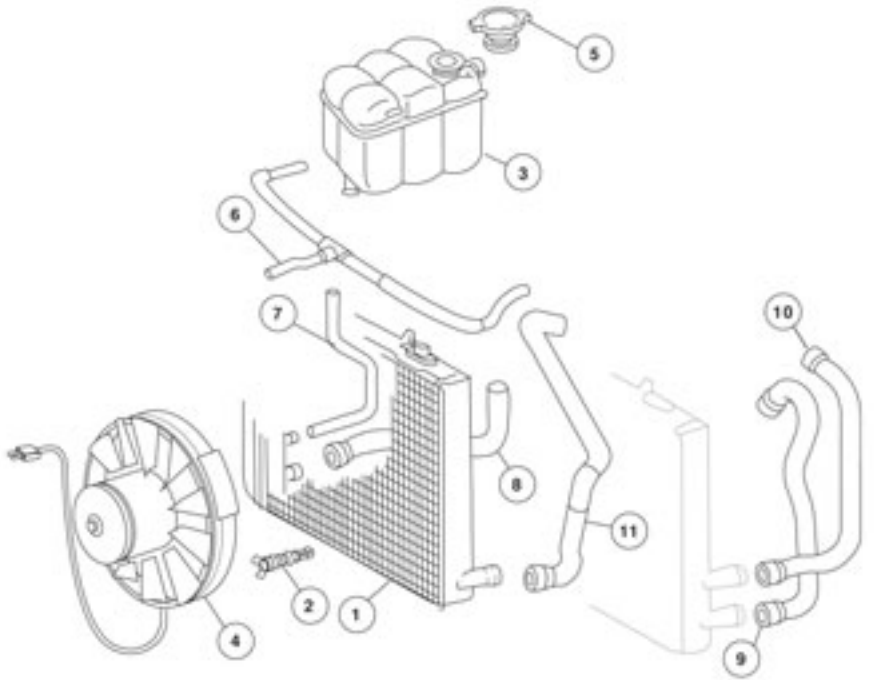
*Only For Vehicles With Anti-Gurgle Campaign Performed At The Recalling Mercedes-Benz® Dealership.

1992-99 300SE / S320, 300SD / S350, 400SE / SEL / S420, 500SEL / SEC / S500, 600SEL / SEC / S600

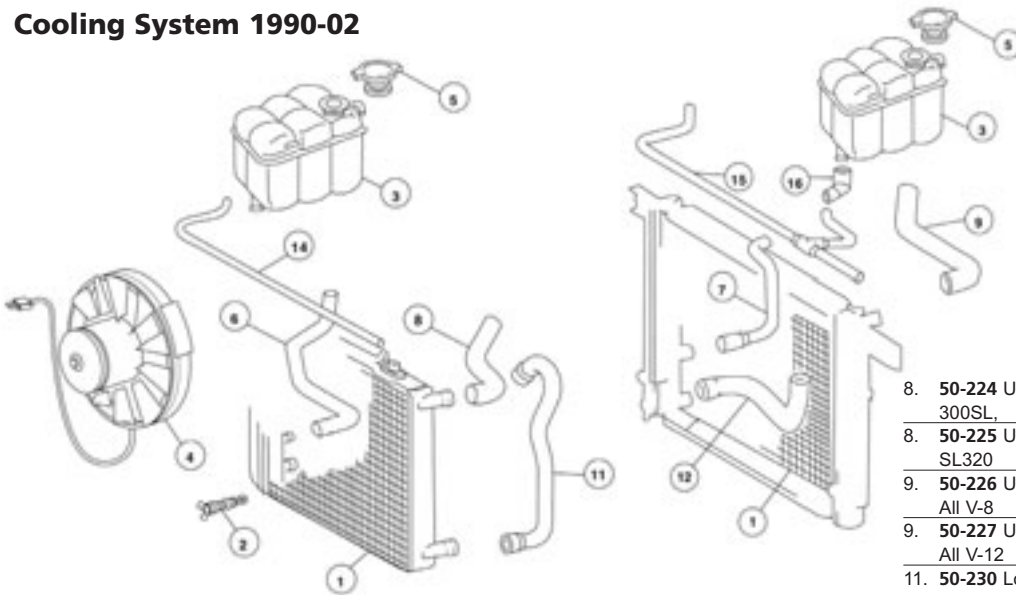
140 Chassis

Cooling System 1992-99

1. 50-190 Radiator 1992-99 6 Cyl '92 To VIN A144704	24. 50-143 Fan Shroud 1990-95 300E 2.6; 300E, TE, CE; All E320; 4-Matic
264.99 ea.	54.99 ea.
1. 50-199 Radiator, 1992-99 6 Cyl From VIN# A144705 To 1999	24. 50-165 Fan Shroud 1990-95 300D 2.5 Turbo
259.99 ea.	56.99 ea.
1. 50-195 Radiator 1992-99 All V-8	24. 50-144 Fan Shroud 1990-95 E300D '95
336.99 ea.	79.99 ea.
1. 50-196 Radiator, 1992-99 All V-12	24. 50-169 Fan Shroud 1990-95 V-8, Upper Half
489.99 ea.	79.99 ea.
1. 50-200 Radiator 1992-99 All Diesels	24. 50-170 Fan Shroud 1990-95 V-8, Lower Half
359.99 ea.	156.99 ea.
2. 50-043 Radiator Drain Plug 1992-99 All Models	25. 50-168 Auxiliary Fan Grille 1990-95 All Models Except V-8
4.99 ea.	26.99 ea.
3. 50-202 Expansion Tank 1992-99 All Except Diesel +1 Of Part Number 50-180	25. 50-166 Auxiliary Fan Grille 1990-95 All V-8
44.99 ea.	46.99 ea.
3. 50-198 Expansion Tank 1992-99 All Diesels	26. 50-136 Auxiliary Fan 1990-95 (2 Req.), All
89.99 ea.	105.99 ea.
4. 50-186 Auxiliary Fan Motors 1992-99 (2 Req.) All	27. 98-001 Hose Clamp, 10-16mm
109.99 ea.	1.99 ea.
5. 50-002 Radiator Cap 1992-99 All Diesels	28. 98-003 Hose Clamp, 20-30mm
4.99 ea.	1.99 ea.
5. 50-002 Radiator Cap 1992-99 All Gas Models, '92 To VIN# A334377	29. 98-004 Hose Clamp, 25-40mm
4.99 ea.	1.99 ea.
5. 50-180 Radiator Cap 1992-99 All Gas Models, VIN# A334378 To '99	
17.99 ea.	
6. 50-197 Hose, Expansion Tank To Radiator 1992-99 All 6 Cyl Gas Models	
27.99 ea.	
6. 50-201 Hose, Expansion Tank To Radiator 1992-99 All V-8 Sedans	
67.99 ea.	
6. 50-203 Hose, Expansion Tank To Radiator 1992-99 All V-8 Coupes	
61.99 ea.	
6. 50-206 Hose, Expansion Tank To Radiator 1992-99 All V-12 Sedans	
74.99 ea.	
6. 50-207 Hose, Expansion Tank To Radiator 1992-99 All V-12 Coupes	
85.99 ea.	
6. 50-209 Hose, Expansion Tank To Radiator 1992-99 All Diesels	
41.99 ea.	
7. 50-205 Drain Hose, Expansion Tank To Radiator 1992-99 All V-8 & 6 Cyl Gas Models	
6.99 ea.	
	7. 50-210 Drain Hose, Expansion Tank To Radiator 1992-99 All V-12
	64.99 ea.
	7. 50-204 Drain Hose, Expansion Tank To Radiator 1992-99 All Diesel Models
	14.99 ea.
	8. 50-211 Lower Radiator Hose 1992-99 All V-8 Models
	37.99 ea.
	8. 50-208 Lower Radiator Hose 1992-99 All V-12 Models
	13.99 ea.
	8. 50-215 Lower Radiator Hose 1992-99 All Diesels
	14.99 ea.
	9. 50-212 Lower Radiator Hose 1992-99 All 6 Cyl Models
	27.99 ea.
	10. 50-217 Upper Radiator Hose 1992-99 All 6 Cyl Gas Models
	9.99 ea.
	11. 50-218 Upper Radiator Hose 1992-99 All V-8 Models
	43.99 ea.
	11. 50-213 Upper Radiator Hose 1992-99 All V-12 Models
	34.65 ea.
	11. 50-216 Upper Radiator Hose 1992-99 All Diesels To VIN# A124971
	15.99 ea.
	11. 50-214 Upper Radiator Hose 1992-99 All Diesels From VIN# A124972
	14.99 ea.



Cooling System 1990-02



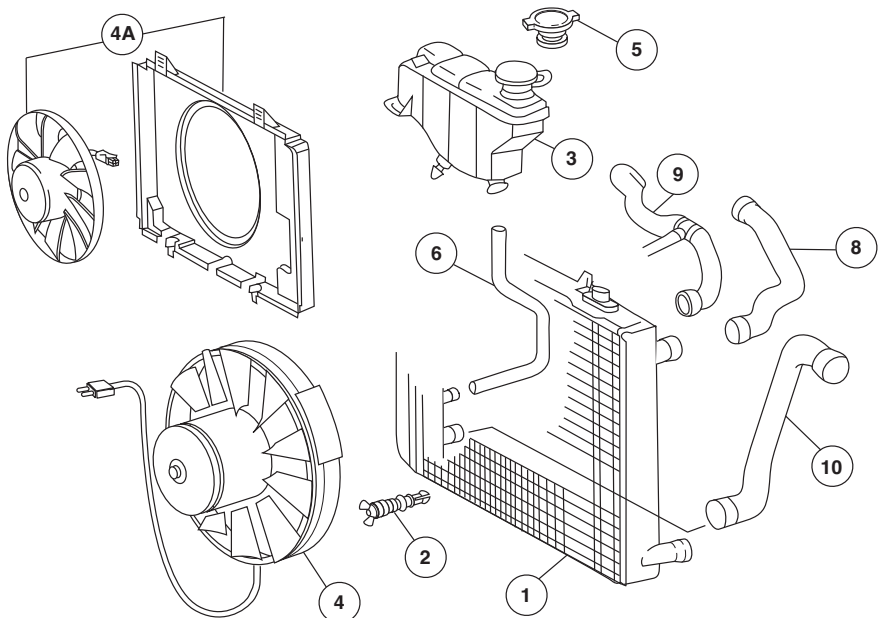
- 1. **50-181** Radiator 1990-93 6 Cyl **439.99 ea.**
- 1. **50-181** Radiator 1990-02 6 Cyl SL320 To VIN# F102095 **439.99 ea.**
- 1. **50-220** Radiator 1990-02 6 Cyl SL320 From VIN# F102096 **389.99 ea.**
- 1. **50-176** Radiator 1990-02 All V-8 **479.99 ea.**
- 1. **50-221** Radiator, 1990-02 All V-12 **469.99 ea.**
- 2. **50-043** Radiator Drain Plug 1990-02 All Models **4.99 ea.**
- 3. **50-219** Expansion Tank 1990-02 All Models +1 Of Part Number 50-180 **99.99 ea.**

- 4. **50-135** Auxiliary Fan Motor 1990-02 6 & 8 Cyl (2 Req) **171.99 ea.**
- 4. **50-186** Auxiliary Fan Motor 1990-02 V-12 (2 Req) **109.99 ea.**
- 5. **50-002** Radiator Cap 1990-96 All Models **4.99 ea.**
- 5. **50-180** Radiator Cap 1997-02 All Models **17.99 ea.**
- 6. **50-222** Hose, Expansion Tank To Radiator 1997-02 All Models Except V-12 **23.99 ea.**
- 7. **50-223** Hose, Expansion Tank To Radiator 1990-02 All V-12 **17.99 ea.**

- 8. **50-224** Upper Radiator Hose 1990-93 300SL, **17.50 ea.**
- 8. **50-225** Upper Radiator Hose 1994-97 SL320 **13.99 ea.**
- 9. **50-226** Upper Radiator Hose 1990-02 All V-8 **17.30 ea.**
- 9. **50-227** Upper Radiator Hose 1990-02 All V-12 **15.99 ea.**
- 11. **50-230** Lower Radiator Hose 1990-02 All 6 Cyl Models **13.99 ea.**
- 11. **50-228** Lower Radiator Hose 1990-02 All V-8 Models **16.99 ea.**
- 12. **50-229** Lower Radiator Hose 1990-02 All V-12 Models **53.99 ea.**
- 14. **50-232** Drain Hose, Exp. Tank To Radiator 1990-02 All Models Except V12 (Sold Per Meter..1.1 Meter Needed) **21.99 ea.**
- 15. **50-231** Drain Hose, Exp. Tank To Radiator 1990-02 All V-12 **75.99 ea.**
- 16. **50-123** Drain Hose Bottom Of Exp. Tank 1990-02 All V-12 **10.00 ea.**

Cooling System 1994-00

- 1. **50-233** Radiator 1994-00 C220, C230 **185.99 ea.**
- 1. **50-234** Radiator 1994-00 6 Cyl C230 Kompressor **228.99 ea.**
- 1. **50-235** Radiator 1994-97 C280 '94-'97, C36 '95-'97' **239.99 ea.**
- 1. **50-236** Radiator 1998-00 C280 **279.99 ea.**
- 1. **50-237** Radiator 1994-00 C43 **257.99 ea.**
- 2. **50-043** Radiator Drain Plug 1994-00 All Models **4.99 ea.**
- 3. **50-238** Expansion Tank 1994-00 All 4 Cyl Engines **36.99 ea.**
- 3. **50-239** Expansion Tank 1994-00 All 6 & 8 Cyl Engines +1 Of Part Number 50-180 **36.99 ea.**
- 4. **50-240** Auxiliary Fan Motor, Left 1994-00 C220, C230 Kompressor C280 '94-'98, C43 **86.99 ea.**
- 4. **50-241** Auxiliary Fan Motor, Right 1994-00 C220, C230 Kompressor C280 '94-'98, C43 **159.99 ea.**
- 4. **50-242** Auxiliary Fan Motor 1997-00 '97-'98 C230, C280 '99-00 **369.99 ea.**
- 4A. **50-243** Auxiliary Fan Motor W/Shroud 1999-00 All C280 '99-'00 **529.99 ea.**

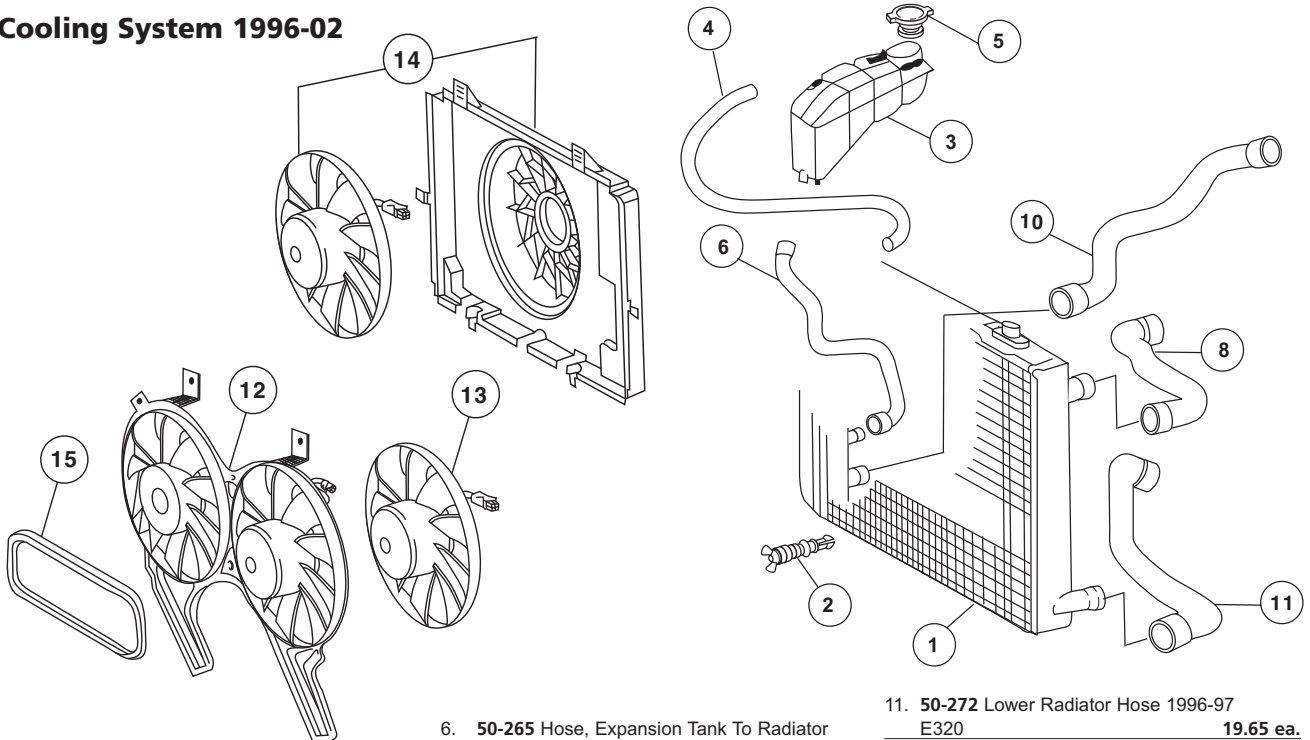


1994-00 Continued On Next Page

1994-2000 Continued

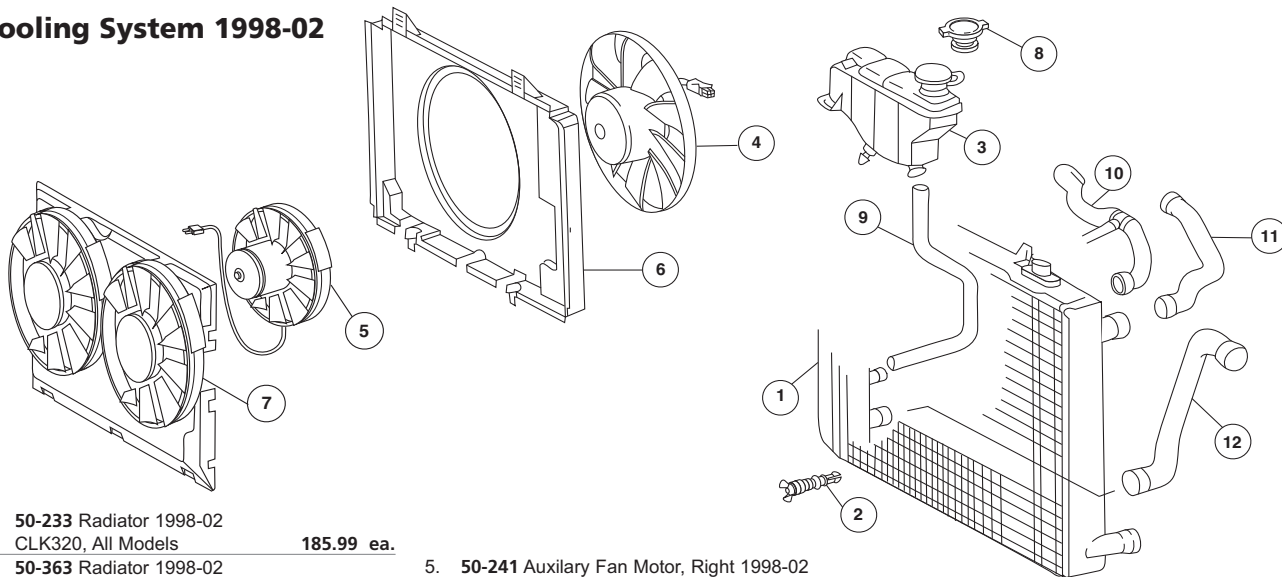
5. 50-002 Radiator Cap 1994-00 C220, C230, C230 Kompressor C280 '94 To VIN# F428465 4.99 ea.	6. 50-246 Hose, Expansion Tank To Radiator 1994-00 C280 '98-'00, C43 44.99 ea.	10. 50-252 Lower Radiator Hose 1994-00 C220, C230 11.99 ea.
5. 50-180 Radiator Cap 1994-00 C280 From VIN# F428466 To 2000 C36, C43 17.99 ea.	8. 50-247 Upper Radiator Hose 1994-00 C220, C230 7.99 ea.	10. 50-253 Lower Radiator Hose 1994-00 C230 Kompressor 18.99 ea.
6. 50-244 Hose, Expansion Tank To Radiator 1994-00 C220, C230, C280 '94-'97 14.99 ea.	8. 50-248 Upper Radiator Hose 1994-00 C230 Kompressor 18.99 ea.	10. 50-254 Lower Radiator Hose 1994-97 C280, '94-'97 10.99 ea.
6. 50-245 Hose, Expansion Tank To Radiator 1994-00 C230 Kompressor 28.99 ea.	8. 50-249 Upper Radiator Hose 1994-00 C280 '94-'97, C36 5.99 ea.	10. 50-342 Lower Radiator Hose 1994-00 C280 '98-'00 18.99 ea.
	8. 50-250 Upper Radiator Hose 1994-00 C43 59.99 ea.	10. 50-255 Lower Radiator Hose 1994-00 C43 56.99 ea.
	9. 50-251 Upper Radiator Hose 1998-00 C280 '98-'00 38.99 ea.	

Cooling System 1996-02



1. 50-177 Radiator 1996-97 E320 212.99 ea.	6. 50-265 Hose, Expansion Tank To Radiator 2000-02 All E320, E55 27.99 ea.	11. 50-272 Lower Radiator Hose 1996-97 E320 19.65 ea.
1. 50-182 Radiator 1998-99 E300D, Non Turbo E420 E430 299.99 ea.	6. 50-266 Hose, Expansion Tank To Radiator 1996-02 All Diesels E420, E430 24.99 ea.	11. 50-273 Lower Radiator Hose 1998-02 E320, E320 4Matic 17.99 ea.
1. 50-256 Radiator 1996-02 E300D Turbo 289.99 ea.	6. 50-265 Hose, Expansion Tank To Radiator 1996-02 All 4Matic 27.99 ea.	11. 50-274 Lower Radiator Hose 1998-02 E430, E430 4Matic, E55 13.99 ea.
1. 50-257 Radiator 1998-02 E320 Including. 4Matic 234.99 ea.	8. 50-278 Upper Radiator Hose 1996-02 All Diesels 21.99 ea.	11. 50-275 Lower Radiator Hose 1996-02 E420 34.99 ea.
1. 50-182 Radiator 1998-99 E430 299.99 ea.	8. 50-277 Upper Radiator Hose 1996-97 E320 19.65 ea.	12. 50-183 Auxiliary Fan Motors (Dual Assembly) 1996-97 E300D, E320, E420 229.99 ea.
1. 50-258 Radiator 1996-02 E430 Including. 4Matic 299.99 ea.	8. 50-279 Upper Radiator Hose 1998-02 E320, E320 4Matic 16.99 ea.	12. 50-263 Auxiliary Fan Motors (Dual Assembly) 1996-97 E300D Turbo 344.99 ea.
1. 50-259 Radiator 1996-02 E55 424.99 ea.	8. 50-267 Upper Radiator Hose 1996-02 E420 18.99 ea.	12. 50-261 Auxiliary Fan Motors (Dual Assembly) 1996-02 E430, E320 '98 E55 409.99 ea.
2. 50-043 Radiator Drain Plug 1996-02 All Models 4.99 ea.	8. 50-268 Upper Radiator Hose 1998-99 E430 16.99 ea.	13. 50-184 Electric Fan Motor (Fan Only) 1996-97 E300D, E320, E420 284.99 ea.
4. 83-072 Hose, Expansion Tank To Radiator 1996-02 13.99 ea.	8. 50-269 Upper Radiator Hose 2000-02 E430, E430 4Matic 29.99 ea.	13. 54-598 Electric Fan Motor (Fan Only) 1996-02 E320 '98 E55 E430 E300D Turbo 247.99 ea.
5. 50-180 Radiator Cap 1996-02 17.99 ea.	8. 50-270 Upper Radiator Hose 1996-02 E55 107.99 ea.	14. 50-262 Electric Fan Motor (Single Fan) 1999 E320 327.99 ea.
6. 50-264 Hose, Expansion Tank To Radiator 1996-99 All E320 10.99 ea.	10. 50-271 Lower Radiator Hose 1996-02 All Diesels 25.99 ea.	15. 13-119 Fan Belt (All Dual Fans) 1996-02 11.99 ea.

Cooling System 1998-02

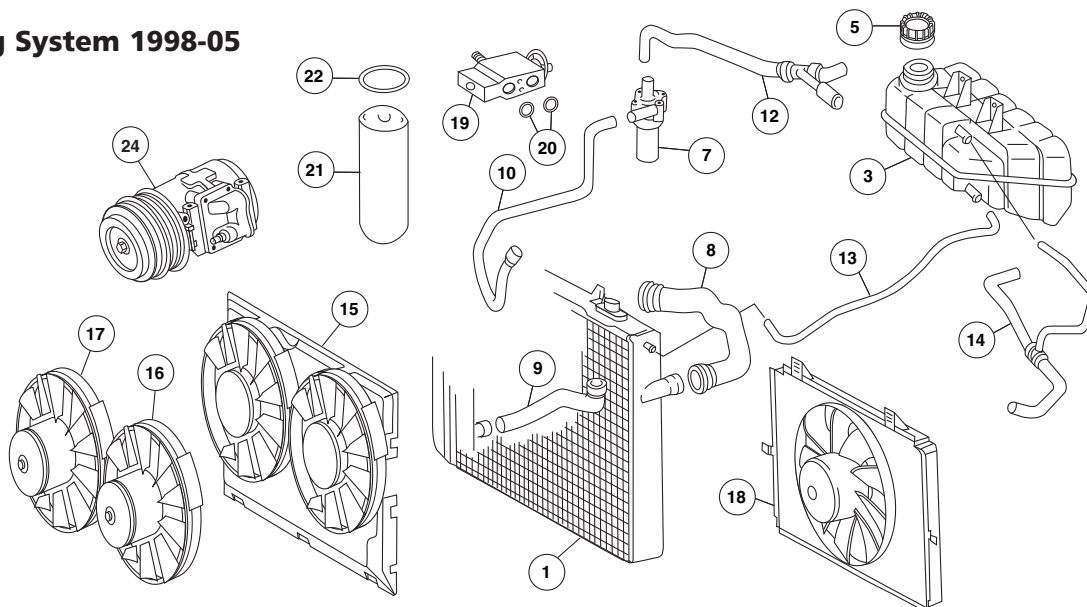


- 1. **50-233 Radiator 1998-02**
CLK320, All Models **185.99 ea.**
- 1. **50-363 Radiator 1998-02**
All CLK430, CLK55 **234.99 ea.**
- 2. **50-043 Radiator Drain Plug 1998-02**
All Models **4.99 ea.**
- 3. **50-239 Expansion Tank 1998-02**
All Models **36.99 ea.**
- 4. **50-343 Auxiliary Fan Motor 1998-02**
All CLK320 **294.99 ea.**
- 5. **50-240 Auxiliary Fan Motor, Left 1998-02**
All CLK430, CLK55 **86.99 ea.**

- 5. **50-241 Auxiliary Fan Motor, Right 1998-02**
All CLK430, CLK55 **159.99 ea.**
- 6. **50-362 Auxiliary Fan Motor Shroud 1998-02**
All CLK320 **164.99 ea.**
- 7. **50-364 Auxiliary Fan Motor Shroud 1998-02**
All CLK430, CLK55 **28.99 ea.**
- 8. **50-180 Radiator Cap 1998-02**
All Models **17.99 ea.**
- 9. **50-246 Hose, Expansion Tank To Radiator**
1998-02 All Models **44.99 ea.**

- 10. **50-251 Upper Radiator Hose 1998-02**
All CLK320 **38.99 ea.**
- 11. **50-250 Upper Radiator Hose 1998-02**
All CLK430, CLK55 **59.99 ea.**
- 12. **50-342 Lower Radiator Hose 1998-02**
All CLK320 **18.99 ea.**
- 12. **50-365 Lower Radiator Hose 1998-02**
All CLK430, CLK55 **31.99 ea.**

Cooling System 1998-05



- 1. **50-280 Radiator 1998-05**
ML320 To VIN# A044000 **399.99 ea.**
- 1. **50-281 Radiator 1998-05**
ML320 From VIN# A044001
ML55 To VIN# A174243
ML350, ML430, ML500 **211.99 ea.**

- 1. **50-285 Radiator 1998-05**
ML55 From VIN# A174244 **339.99 ea.**
- 3. **50-286 Expansion Tank 1998-05** **59.99 ea.**
- 5. **50-287 Cap 1998-05** **12.99 ea.**
- 7. **83-372 Recirculation Pump 1998-05** **279.99 ea.**

- 8. **50-293 Upper Radiator Hose 1998-05**
ML320, 350 **12.99 ea.**
- 8. **50-294 Upper Radiator Hose 1998-05**
ML430 **17.99 ea.**

1998-05 Continued On Next Page

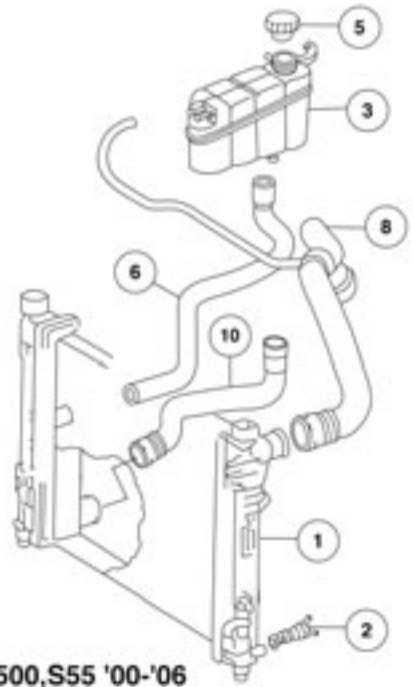
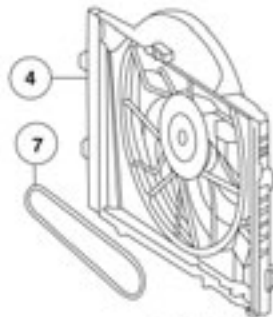
1998-05 Continued

8. 50-295 Upper Radiator Hose 1998-05 ML500, ML55	41.99 ea.
9. 50-296 Lower Radiator Hose 1998-05 ML320, 350	13.99 ea.
9. 50-298 Lower Radiator Hose 1998-05 ML430, 500, 55	16.99 ea.
10. 50-299 Hose, Recirculation Pump To Engine 1998-05 ML320, 430 To VIN# A145272	12.99 ea.
10. 50-300 Hose, Pump To Engine 1998-05 ML320, 430 From VIN# A145273 ML55, ML350, ML500	29.99 ea.
12. 50-297 Hose, Expansion Tank To Pump. 1998-05 ML320, 430 To VIN# A145272 ML55 To VIN# A145272	27.99 ea.

12. 50-301 Hose, Expansion Tank To Pump. 1998-05 ML320 From VIN# A145273 ML55 From VIN# A145273 ML430 From VIN# A145273 ML350, ML500	86.99 ea.
13. 50-302 Hose, Expansion Tank To Radiator 1998-05	10.99 ea.
14. 50-303 Hose Expansion Tank To Engine 1998-05 ML320, ML350	28.99 ea.
14. 50-304 Hose Expansion Tank To Engine 1998-05 ML430, ML500, ML55	27.99 ea.
15. 50-289 Fan Shroud 1998-05 ML320, ML350, ML430	239.99 ea.
16. 54-606 Fan, High Speed 1998-05 No ML500/ML55	119.99 ea.
17. 54-608 Fan, Low Speed 1998-05 No ML500/ML55	119.99 ea.

18. 50-290 Fan Assembly 1998-00 ML55	959.99 ea.
18. 50-291 Fan Assembly 2001-05 ML55	929.99 ea.
18. 50-284 Fan Assembly 1998-05 ML500	959.99 ea.
19. 83-369 AC Expansion Valve All Models	29.99 ea.
20. 83-370 Seal Ring For Expansion Valve	10.99 ea.
21. 83-371 AC Reciever Dryer All Models	29.99 ea.
22. 98-101 Seal Ring For Reciever Dryer	2.99 ea.
24. 13-106 AC Compressor Remanufactured All Models 1998-01 (Core Charge)	419.99 ea.
24. 13-122 AC Compressor New All Models 2002-05	659.99 ea.

Cooling System 2000-06



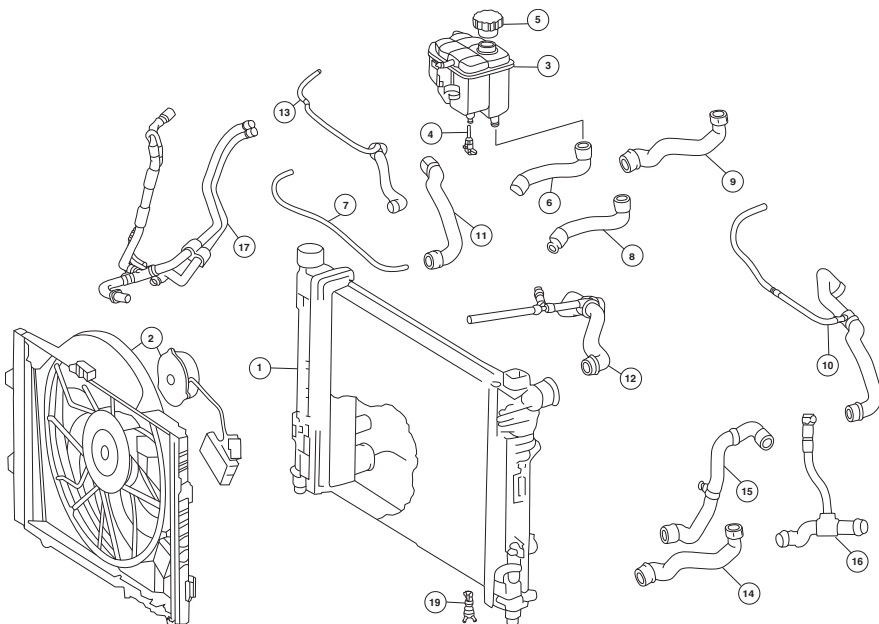
1. 50-344 Radiator 2000-06 S350	429.99 ea.
1. 50-346 Radiator 2000 S430, S500	219.99 ea.
1. 50-339 Radiator, 2001-06 S430, S500	296.99 ea.
1. 50-339 Radiator 2001-02 S55	296.99 ea.
1. 50-341 Radiator 2003-06 S55 All S600	339.99 ea.
2. 50-043 Radiator Drain Plug 2000-06 All Models	4.99 ea.
3. 50-338 Expansion Tank 2000-06	42.99 ea.
4. 50-350 Auxiliary Fan Motor 2000-01 S430, S500, S55 (Belt Driven)	699.99 ea.
4. 50-359 Auxiliary Fan Motor 2002-06 S350, S430, S500, S55 '02 (Belt Driven) All 4Matic	595.99 ea.

4. 50-360 Auxiliary Fan Motor 2003-06 All S600, S55	575.99 ea.
5. 50-180 Radiator Cap 2000-06	17.99 ea.
6. 50-345 Hose, Expansion Tank To Radiator 2001-02 S350, S430, S500, S55	11.99 ea.
6. 50-354 Hose, Expansion Tank To Radiator 2000-02 S600	66.99 ea.
7. 50-361 V-Belt 2000-01	13.99 ea.
8. 50-347 Upper Radiator Hose 2000-06 S350	68.99 ea.
8. 50-351 Upper Radiator Hose 2001-02 S430, S500, S55	61.99 ea.
8. 50-352 Upper Radiator Hose 2003-06 S55	78.99 ea.
8. 50-355 Upper Radiator Hose 2000-02 S600	35.99 ea.

8. 50-357 Upper Radiator Hose 2003 S600 To VIN.# A406723	47.99 ea.
8. 50-358 Upper Radiator Hose 2000-06 S600 VIN.# A406724	27.99 ea.
10. 50-348 Lower Radiator Hose 2000-06 S350	41.99 ea.
10. 50-349 Lower Radiator Hose 2001-02 S430, S500, S55	41.99 ea.
10. 50-356 Lower Radiator Hose 2000-02 S600	57.99 ea.
10. 50-354 Lower Radiator Hose 2003 S600 To VIN.# A406723	66.99 ea.
10. 50-356 Lower Radiator Hose 2006 S600 VIN.# A406724	57.99 ea.
10. 50-353 Lower Radiator Hose 2003-06 S55	97.99 ea.

Cooling System 2001-07

1. **50-306** Radiator 2001-07
C240/C320/C230K Sdms,
All Wagons, All Coupes
All 4Matic Inc. C280/C350 4Matic; '06-'07
C230/C350 Sport Sdn W/6 SP Manual
249.99 ea.
1. **50-305** Radiator 2001-07
C32, C55; '06-'07 C230/C280/C350 Sedans
W/Auto Transmission **321.99 ea.**
2. **50-309** Auxilliary Fan 2001-07
All Models Thru 2004 **599.99 ea.**
2. **50-308** Auxilliary Fan 2001-07
All Models 2005-On Except C55 **499.99 ea.**
3. **50-310** Expansion Tank 2001-07
All Models Except C32 **39.99 ea.**
3. **50-311** Expansion Tank 2001-07
C32 Only **64.99 ea.**
4. **50-312** Coolant Level Sensor 2001-07
All Models **8.99 ea.**
5. **50-314** Expansion Tank Cap 2001-07
All Models **9.99 ea.**
6. **50-318** Expansion Tank Hose 2001-07
C240/C320 Sdn/Wgn Inc. 4Matic,
C320 Coupe; C55 **18.99 ea.**
7. **50-322** Expansion Tank Hose 2003-2005
C230K Sedan & Coupe **75.99 ea.**
7. **50-232** Expansion Tank Hose 2001-07
C230K Coupe 2002 To VIN# A300198
(Bulk Hose) **21.99 ea.**
7. **50-329** Expansion Tank Hose 2001-07
C230K Coupe 2002 From VIN# A300199
Manual Transmission **14.99 ea.**
7. **50-330** Expansion Tank Hose 2002
C230K Coupe 2002 From VIN# A300199
Auto Transmission **34.99 ea.**
8. **50-325** Expansion Tank Hose 2001-07
C32 **43.99 ea.**
9. **50-334** Expansion Tank Hose 2006-07
06-'07 C230/C280/C350 Sedans Inc. 4Matic
15.99 ea.
10. **50-315** Upper Radiator Hose 2001-07
C240/C320 Sdn/Wgn Inc.
4Matic; C320 Coupe **53.99 ea.**



11. **50-320** Upper Radiator Hose 2003-05
C230K Sedan & Coupe **55.99 ea.**
11. **50-327** Upper Radiator Hose 2002
C230K Coupe **33.99 ea.**
12. **50-323** Upper Radiator Hose, 2001-07
C32 **66.99 ea.**
13. **50-333** Upper Radiator Hose 2006-07
C230/C280/C350 Inc. 4Matic; C55 **58.99 ea.**
14. **50-316** Lower Radiator Hose, 2001-07
No 4Matic
C240/C320 Sedan To VIN# A155245,
F162602, R049341 **33.99 ea.**
14. **50-317** Lower Radiator Hose, 2001-07
No 4Matic
C240/C320 Sedan From VIN# A155246,
F162603, R049342; C240/C320 Wagon;
C320 Coupe **66.99 ea.**
14. **50-319** Lower Radiator Hose 2001-07
C240/C320 4Matic Sedans & Wagons
66.99 ea.
15. **50-328** Lower Radiator Hose 2002
C230K Coupe **36.99 ea.**
15. **50-326** Lower Radiator Hose 2003
C230K Coupe To VIN# A462896 **83.99 ea.**
15. **50-321** Lower Radiator Hose 2003-05
C230K Coupe From VIN# A462897; C230K
Sedan **78.99 ea.**
15. **50-337** Lower Radiator Hose 2001-07
C32 **68.99 ea.**
16. **50-335** Lower Radiator Hose 2006-07
C230/C280/C350 Sedans, No 4Matic
C55 **55.99 ea.**
16. **50-313** Lower Radiator Hose 2006-07
C280/C350 4Matic Sedans **71.99 ea.**
17. **50-324** Expansion Tank Hose 2001-07
C32, Expansion Tank To Aux. Water Pump
79.99 ea.
19. **50-043** Radiator Drain Plug 2001-07
All Models **4.99 ea.**

40 Below
Pro Blend
Radiator
Coolant
Additive

- Stops
Overheating
- Reduces
Water
Temperature



Pro-Blend guarantees instant results from this radiator additive. Add 30 Oz. per 2 gallons or- 60 Oz. per 4 gallons of water (or coolant). This product perfect for racing, towing and daily drivers with air conditioning.

88-0206-1

24.99 ea.

Anticorrosion
Antifreeze

Mercedes® engines contain a number of aluminum parts. The use of aluminum components in these motors requires that you use an anticorrosion antifreeze/coolant and not all of these offered on the market can provide this protection. We wanted to offer you the best, so we offer you the original. (50/50 mixture is recommended.)



P99-872

19.99 ea.

Be Cool
Antifreeze
Coolant

Be Cool's all-new pre-mixed Be Cool coolant antifreeze features a new-generation, earth-friendly biodegradable, propylene glycol formula that protects cooling systems and aluminum components as low as 26 degrees below zero(F). Be Cool coolant antifreeze provides 300,000 miles of extended-life coolant protection that's ideal for all performance applications.



88-9999-2

37.99 ea.