



Nothing Feels As Good As Brembo® Brakes

Brembo® Brake Kits dramatically increase braking performance, safety and the looks of your Mercedes. No wonder it's so much fun to drive a race car! When your Mercedes® has this level of stopping control, you will have a new experience in driving and safety. These Brembo® brake kits are the very same parts used in championship-winning race cars. The vented, cross-drilled rotors are fitted to billet aluminum hats, creating a "floating" disc for improved performance, pedal feel, and heat control. And most important-

ly, even brake wear and shorter stopping distances. Brembo's® aluminum 4 or 8 piston calipers utilize sequentially-sized pistons for maximum stopping power. Aircraft-quality mountings and hardware include stainless steel brake lines by Goodridge®. They are perfectly matched, with all the latest factory ABS and traction control systems. You cannot buy better high performance brakes! Complete kits come with instructions, rotors, hats, calipers, pads and steel brake lines. Sold and priced per axle. Fitment for just about every late model Mercedes-Benz® automobile. Available with Red, Black or Silver calipers.

Brembo® Brake Kits MS-1357 3195.00 to 4650.00 kit



Visit web site or call to select the Brembo Brake Kit for your exact model/chassis

Goodridge G-Stop® Stainless Steel Brake Hoses Enhance Braking Response & Improve Pedal Feel



These D.O.T.-approved stainless steel brake hoses help eliminate the soft, spongy brake pedal feel and give you firmer, more confident braking. Much more durable than stock brake lines, they are manufactured with zinc-plated steel fittings, not aluminum, for increased strength. These braided hoses with strong Teflon® inner tubing are simply the best way to transmit hydraulic pressure from your foot to your brake calipers with maximum efficiency. Note: these lines are longer than stock rubber lines, as they do not bend as easily. Sold in sets of four. Fits most late model Mercedes except ML, G Wagon and 4Matic Models. Call for applications.



MS-1360 119.95 to 195.00 set

ATE Racing Brake Fluid

- Replace Brake Fluid Every Year

Why should brake fluid be changed regularly? Brake

fluid attracts moisture, which lowers the boiling point and can give you a mushy brake pedal, or no pedal at all, under extreme conditions. ATE Racing brake fluid is DOT 4-rated and can be mixed with all brake fluid with the same specifications; designed for coping with the extreme demands of motor racing and used in motor racing by leading car makers. Dry Boiling point: 536° F. Wet boiling point 392. Alternate between Gold and Blue to make fluid changing easier. By changing colors, you can tell when the old fluid has been completely flushed and both types have the exact same specs. 1 Liter Cans.



801154 Super Blue Racing, 1 Liter 19.99 ea.
883471 Gold 200 Racing, 1 Liter 19.99 ea.

More Applications



Slotted Brake Rotors By Power-Slot®

- Harder, Quicker Stopping
- Improved Wet Weather Braking
- Increased Cooling Of Brake Surface

Racecar engineers know the value of slotted brake rotors; they are lighter, have better cooling properties, and keep the

brake pads cleaner for a better "bite". Now you can have the same advantages on your Mercedes®, achieving a vast improvement over OE brake systems. We start with OE design Mercedes® Rotors, precision machine them for the best possible performance, and then cadmium-plate them to prevent rusting. Tests show a significant drop in temperature under extreme use, and drivers report better "bite" on the cleaner pad surface. Fits most 107, 124, 126, 201, 170, 202, 208 and 210 chassis.

MS-1365 Slotted Brake Rotors **From 160.00 pr.**

Brake Pads & Sensors

42-003 Front Brake Pads 1963-79

- No Turbo Models, 230
- 240D To Chassis# 149291
- 280E To Chassis# 017058
- 280CE To Chassis# 017058
- 300D To Chassis# 164520
- 300CD To Chassis# 004968
- 300TD To Chassis# 011109



32.99 set

42-012T Front Brake Pads From 1980

- All Turbo Models
- 240D From Chassis# 149292
- 280E, 280CE From Chassis# 017059
- 300D From Chassis# 164521
- 300CD From Chassis# 004968
- 300TD From Chassis# 011110



54.99 set

42-005 Rear Brake Pads, All Models **29.99 set**

54-001 Brake Wear Sensor (4 Req) **0.99 ea.**



Accent Your Brakes With Our Caliper Paint

Simply prepare the calipers with the supplied cleaner, mix the two-part lacquer and paint. Add a new accent to your vehicle or give mangy, old calipers a new look. Makes calipers easier to keep clean. Enough for four brake calipers. Choose Silver, Yellow, Blue, Black or Red. **Note: Shipped by ground only.**

MS-1819 Brake Caliper Paint **42.99 kit**



Brake Pads, Rotors, & Sensors*

42-004	Front Brake Pads 450SL To Chassis# 009729, 450SLC To Chassis# 000744	37.99 set
42-003	Front Brake Pads	
450SL	From Chassis# 009730 To # 062584	
450SLC	From Chassis# 000745 To # 030280	32.99 set
42-012T	Front Brake Pads	
450SL	From Chassis# 062585	
450SLC	From Chassis# 030281	
380SL, SLC		54.99 set
42-070	Front Brake Pads: 560SL	65.99 set
42-005	Rear Brake Pads: All Models	29.99 set
54-001	Brake Wear Sensor All Models (4 Required)	0.99 ea.
42-144	Front Brake Rotors	
450SL	To Chassis# 009729	
450SLC	To Chassis# 000744	65.99 ea.
42-001	Front Brake Rotors	
450SL	From Chassis# 009730 To # 062584	
450SLC	From Chassis# 000745 To # 030280	89.99 ea.
42-002	Front Brake Rotors	
450SL	From Chassis# 062585	
450SLC	From Chassis# 030281	
380SL, SLC		44.99 ea.
42-030	Front Brake Rotors: 560SL	32.99 ea.
42-016*	Rear Brake Rotors: All Models	31.99 ea.
54-002	Brake Wear Sensor 380C, 500SEC (2 Req.)	1.99 ea.

*Some Parts Are Not Shown.

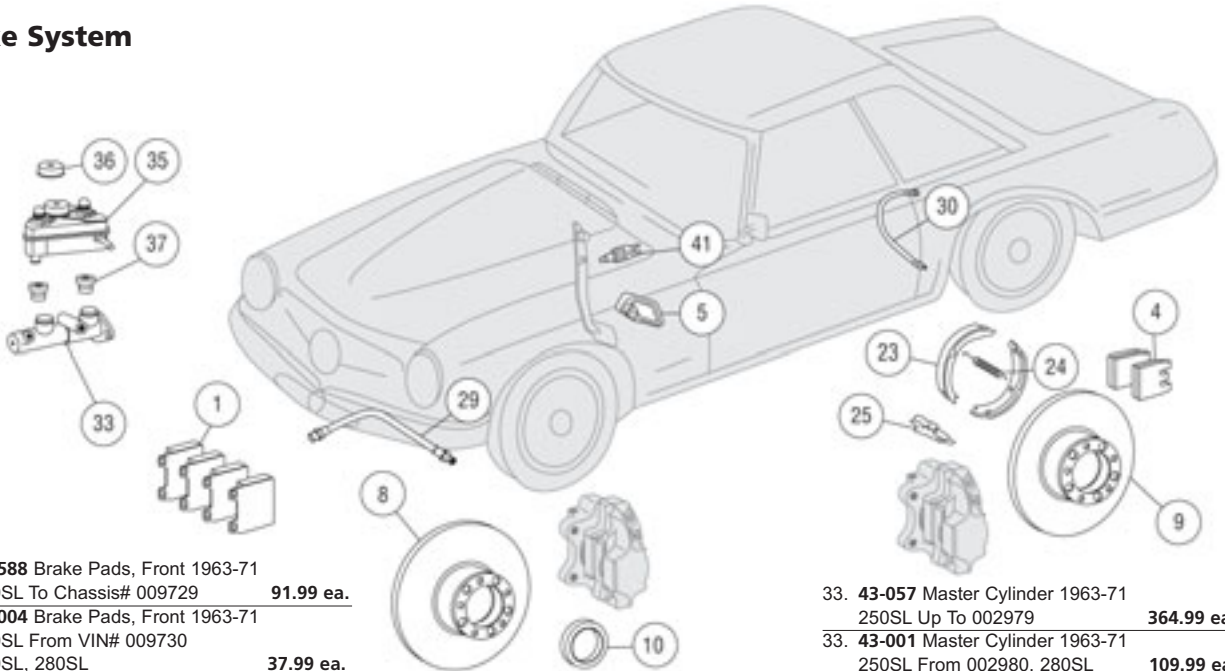


Brake Pads, Rotors, Sensors

- High Quality
- Made From Factory Specifications
- Uses Factory Compounds.

42-006	Front Pad Set, All Except 190E 2.3-16	50.99 set
42-008	Rear Pad Set, All Except 190E 2.3-16	29.99 set
42-010	Front Pad Set, 190E 2.3-16	45.99 set
42-007	Rear Pad Set, 190E 2.3-16	32.99 set
42-015	Front Rotor 190D2.2, 190D2.5, 190E2.3 To '86	21.99 ea.
42-028	Front Rotor 190E 2.3 fm '87, 190E 2.6, 190D2.5 Turbo	24.99 ea.
42-029	Rear Rotor All Models	21.99 ea.

Brake System



- 1. **42-588** Brake Pads, Front 1963-71
230SL To Chassis# 009729 **91.99 ea.**
- 1. **42-004** Brake Pads, Front 1963-71
230SL From VIN# 009730
250SL, 280SL **37.99 ea.**
- 4. **42-587** Brake Pads, Rear 250SL, 1963-71
280SL **19.99 ea.**
- 5. **29-007** Brake & Clutch Pedal Pad 1963-71
3.99 ea.
- 8. **42-586** Brake Disc Rotor, Front, 1963-71
230SL **47.99 ea.**
- 8. **42-585** Brake Disc Rotor, Front 1963-71
250SL, 280SL **48.99 ea.**
- 9. **42-016** Brake Disc, Rear 1963-71
250SL, 280SL **31.99 ea.**
- 10. **33-118** Front Wheel Seal 1963-71 **4.99 ea.**
- 23. **42-027** Emergency Brake Shoe Kit 1963-71
250SL, 280SL **34.99 ea.**

- 24. **42-157** Brake Shoe Spring Hook (4 Req)
1963-71 **2.99 ea.**
- 25. **42-142** Emergency Brake Turnbuckle
1963-71 **10.99 ea.**
- 29. **42-017** Brake Hose, Front 1963-71 **12.99 ea.**
- 30. **42-584** Brake Hose, Rear Right
1963-71 **13.99 ea.**
- 30. **42-583** Brake Hose, Rear Left
1963-71 **11.99 ea.**
- 33. **43-056** Master Cylinder, 1963-71 230SL
209.99 ea.

- 33. **43-057** Master Cylinder 1963-71
250SL Up To 002979 **364.99 ea.**
- 33. **43-001** Master Cylinder 1963-71
250SL From 002980, 280SL **109.99 ea.**
- 35. **43-050** Fluid Reservoir 1963-71
230SL, 250SL To 002979 **126.99 ea.**
- 35. **42-086** Fluid Reservoir, W/Sender Unit
1963-71 230SL W/Bendix, 250SL From
002980, 280SL **126.99 ea.**
- 36. **42-059** Brake Fluid Cap, Black 1963-71
8.99 ea.
- 36. **43-087** Brake Fluid Cap (2) 1963-71
For Brake Float Chambers **11.99 ea.**
- 37. **29-006** Brake Fluid Reservoir Grommet
1963-71 250SL, 280SL **3.99 ea.**
- 41. **54-031** Brake Light Switch 1963-71
2 Pole Terminal **14.99 ea.**

Brake System

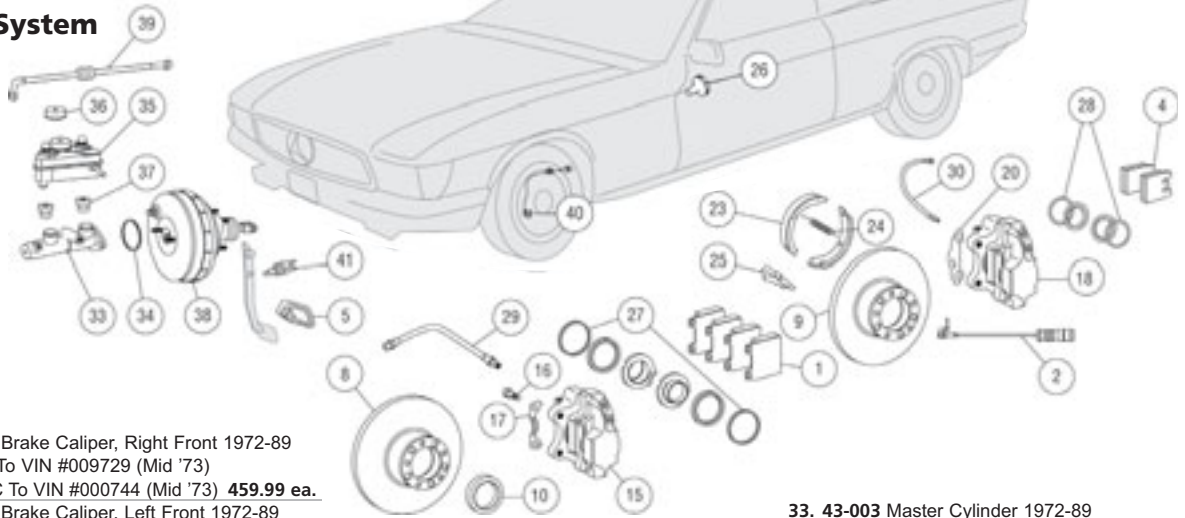
See Illustration On Next Page

- 1. **42-004** Brake Pads, Front 1972-89
450SL To VIN# 009729 (Mid '73)
450SLC To VIN# 000744 (Mid '73) **37.99 ea.**
- 1. **42-003** Brake Pads, Front 1972-89
450SL From VIN# 009730 (Mid '73)
To VIN# 062584 (Mid '80)
450SLC From VIN# 000745 (Mid '73)
To VIN# 030280 (Mid '80)
Original **32.99 ea.**
42-003M Meyle Aftermarket **29.99 ea.**
- 1. **42-012T** Brake Pads, Front 1972-89
450SL From VIN# 062585 (Mid '80)
450SLC From VIN# 030281 (Mid '80)
380SL, SLC
Original Textar **54.99 ea.**
42-012M Meyle Aftermarket **29.99 ea.**
- 1. **42-070** Brake Pad Set, Front, 1972-89 560SL
Original **65.99 ea.**
42-070M Meyle Aftermarket **52.99 ea.**

- 2. **54-001** Brake Wear Sensor (4 Required)
See Web for Year/Model **0.99 ea.**
- 4. **42-003** Brake Pad Set, Rear 1972-89
All Models With Automatic Transmission
Original **32.99 ea.**
42-003M Meyle Aftermarket **29.99 ea.**
- 4. **42-005** Brake Pads, Rear 1972-89
Original **29.99 ea.**
42-005M Meyle Aftermarket **25.99 ea.**
- 5. **29-001** Brake Pedal Pad 1972-89
All Models With Automatic Transmission
9.99 ea.
- 8. **42-144** Brake Disc, Front, Solid, Each
1972-89
450SL To VIN# 009729 (Mid '73)
450SLC To VIN# 000744 (Mid '73)
65.99 ea.
- 8. **42-001** Brake Disc, Front, Vented, Each
1972-89
450SL From VIN# 009730 (Mid '73)
To VIN# 062584 (Mid '80)
450SLC From VIN# 000745 (Mid '73)
To VIN# 030280 (Mid '80) **89.99 ea.**

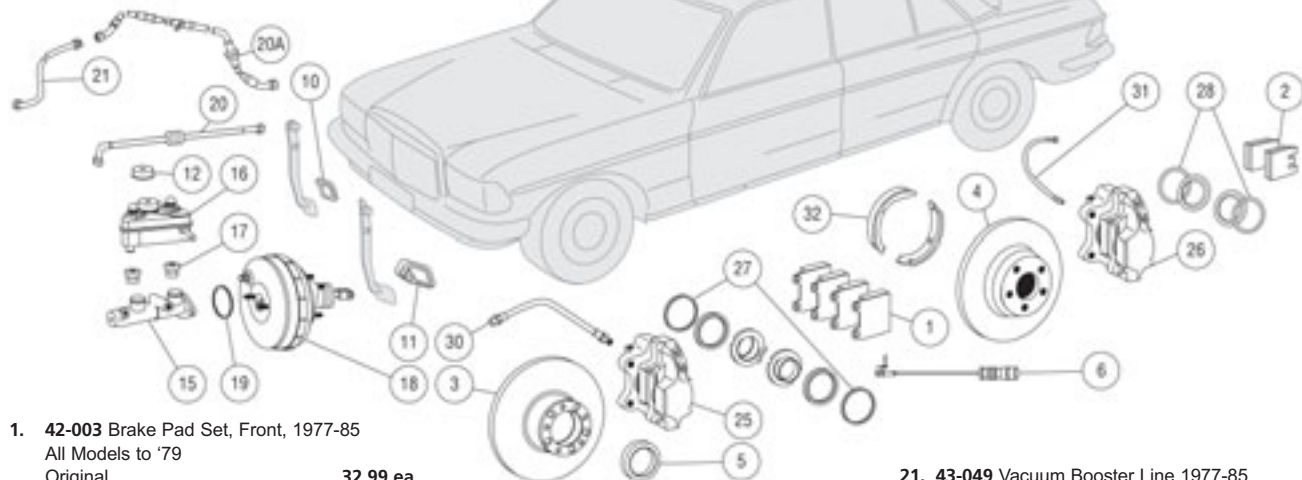
- 8. **42-002** Brake Disc, Front, Vented, Each
1972-89
450SL From VIN# 062585 (Mid '80)
450SLC From VIN# 030281 (Mid '80)
380SL, SLC
Original **44.99 ea.**
42-002M Meyle Aftermarket **34.99 ea.**
- 8. **42-030** Brake Disc Front, Each , 1972-89
560SL
Original **32.99 ea.**
42-030M Meyle Aftermarket **28.99 ea.**
- 9. **42-016** Brake Disc Rear, Each , 1972-89 All
Models
Original **31.99 ea.**
42-016M Meyle Aftermarket **30.99 ea.**
- 10. **33-011** Grease Seal, W/O ABS 1972-89
All Models To '84 **6.99 ea.**
- 10. **33-118** Grease Seal '85 380SL **4.99 ea.**
- 10. **33-014** Grease Seal 1972-89 560SL **6.99 ea.**
- 11. **42-146** Screw, Brake Disc To Hub, 1972-89
560SL (Not Shown) **3.99 ea.**
- 15. **42-148** Brake Caliper, Left Front 1972-89
450SL To VIN #009729 (Mid '73)
450SLC To VIN #000744 (Mid '73) **309.99 ea.**

Brake System



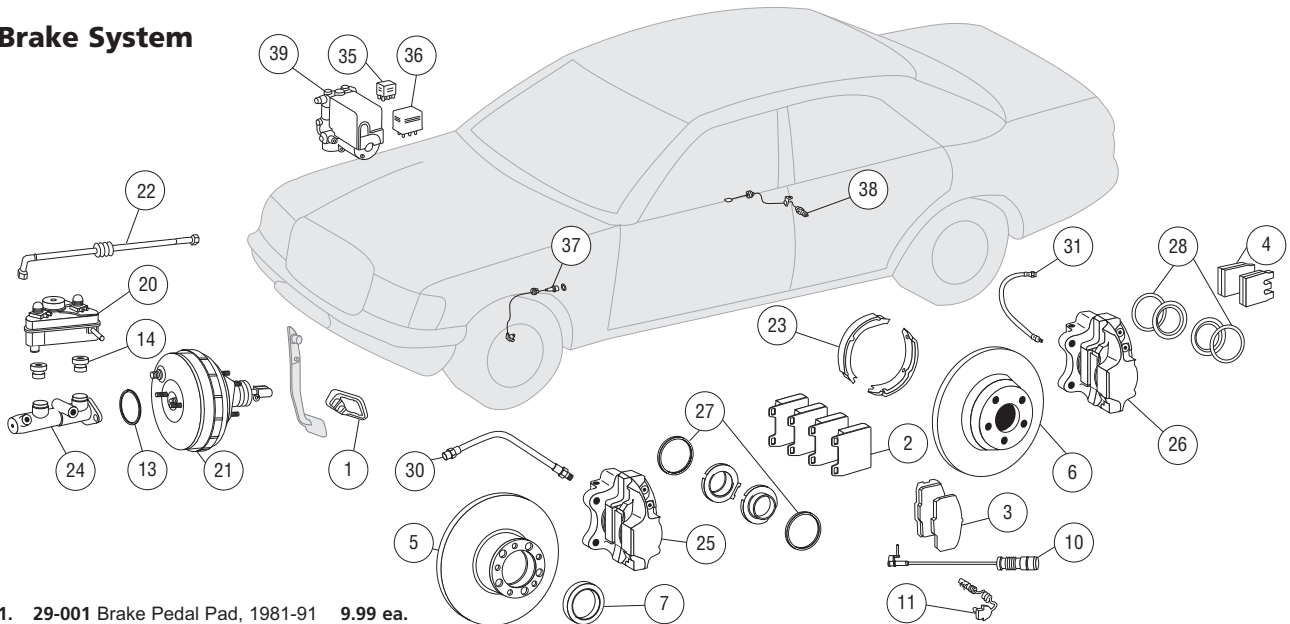
- | | | |
|---|---|---|
| 15. 42-149 Brake Caliper, Right Front 1972-89
450SL To VIN #009729 (Mid '73)
450SLC To VIN #000744 (Mid '73) 459.99 ea. | 27. 42-018 Caliper Kit, Front, ATE 1972-89
450SL To VIN# 009729 (Mid '73)
450SLC To VIN# 000744 (Mid '73) 19.99 ea. | 33. 43-003 Master Cylinder 1972-89
450SL From VIN# 044010 (Mid '78)
450SLC From VIN# 020047 (Mid '78)
380SL '81 To '83
380SLC 89.99 ea. |
| 15. 42-073 Brake Caliper, Left Front 1972-89
450SL From VIN #009730 (Mid '73)
To VIN #062584 (Mid '80)
450SLC From VIN #000745 (Mid '73)
To VIN #030280 (Mid '80) 259.99 ea. | 27. 42-019 Caliper Kit, Front, ATE 1972-89
450SL From VIN# 009730 (Mid '73)
To VIN# 062584 (Mid '80)
450SLC From VIN# 000745 (Mid '73)
To VIN# 030280 (Mid '80) 17.99 ea. | 33. 43-004 Master Cyl, 380SL '84 To '85
79.99 ea. |
| 15. 42-074 Brake Caliper, Right Front 1972-89
450SL From VIN #009730 (Mid '73)
To VIN #062584 (Mid '80)
450SLC From VIN #000745 (Mid '73)
To VIN #030280 (Mid '80) 289.99 ea. | 27. 42-021 Caliper Kit, Front, ATE 1972-89
450SL From VIN# 062585 (Mid '80)
450SLC From VIN# 030281 (Mid '80)
380SL, SLC 19.99 ea. | 33. 43-007 Master Cylinder, 1972-89 560SL
89.99 ea. |
| 15. 42-071 Brake Caliper, Left Front 1972-89
450SL From VIN #062585 (Mid '80)
450SLC From VIN #030281 (Mid '80)
380SL, SLC 274.99 ea. | 27. 42-021 Caliper Kit, Front, ATE 1972-89
450SL From VIN# 062585 (Mid '80)
450SLC From VIN# 030281 (Mid '80)
380SL, SLC 19.99 ea. | 34. 43-010 O-Ring Seal, All Models To '85
5.99 ea. |
| 15. 42-072 Brake Caliper, Right Front 1972-89
450SL From VIN #062585 (Mid '80)
450SLC From VIN #030281 (Mid '80)
380SL, SLC 297.99 ea. | 27. 42-153 Caliper Kit, Front, 1972-89 560SL
49.99 ea. | 34. 42-058 O-Ring Seal, 1972-89 560SL
7.99 ea. |
| 15. 42-150 Brake Caliper, Left Front, 560SL
439.99 ea. | 28. 42-042 Caliper Kit, Rear, Bendix 1972-89
All Models With Rear Bendix Calipers
17.99 ea. | 35. 42-086 Fluid Reservoir, 1972-89
450SL To '75
450SLC To '75 126.99 ea. |
| 15. 42-151 Brake Caliper, Rt Front, 1972-89
560SL 529.99 ea. | 28. 42-022 Caliper Kit, Rear, ATE 1972-89 560SL
& All Other Models With ATE Rear Calipers
23.99 ea. | 35. 43-011 Fluid Reservoir, 1972-89
450SL From '76 To VIN# 044009 (Mid '78)
450SLC From '76 To VIN# 020046 (M '78)
147.99 ea. |
| 16. 42-147 Bolt, Front Caliper Mounting 1972-89
4.99 ea. | 28. 42-052 Caliper Kit, Rear, Girling 1972-89
All Models With Rear Girling Calipers
35.99 ea. | 35. 43-012 Fluid Reservoir, 1972-89
450SL From VIN# 044010 ('78)
450SLC From VIN# 020047 ('78)
380SL, SLC 74.99 ea. |
| 17. 42-152 Brake Caliper Lock Plate, Front
1972-89
450SL To VIN# 036454 (Mid '77)
450SLC To VIN# 015762 (Mid '77) 11.99 ea. | 29. 42-017 Brake Hose, Ft, All Models To 1985
12.99 ea. | 35. 43-048 Fluid Reservoir, 1972-89 560SL
67.99 ea. |
| 18. 42-160 Brake Caliper, Left Rear, All Models
To 1985 Includes Rear Brake Hose
189.99 ea. | 29. 42-040 Brake Hose, Front, 1972-89 560SL
12.99 ea. | 36. 42-059 Brake Fluid Cap 1972-89 8.99 ea. |
| 18. 42-161 Brake Caliper, Right Rear, All Models
To '85 Includes Rear Brake Hose 179.99 ea. | 30. 42-155 Brake Hose, Rear 1972-89
450SL To VIN# 011288 (Mid '73)
450SLC To VIN# 001436 (Mid '73)
560SL 11.99 ea. | 37. 29-006 Brake Fluid Reservoir Grommet
All Models To '85 (2 Required) 3.99 ea. |
| 18. 42-120 Brake Caliper, Left Rear, 560SL
1972-89 269.99 ea. | 30. 42-041 Brake Hose, Rear 1972-89
450SL From VIN# 011289 (Mid '73)
450SLC From VIN# 001437 (Mid '73)
380SL, SLC 12.99 ea. | 37. 43-018 Brake Fluid Reservoir Grommet
1972-89 560SL (2 Required) 3.99 ea. |
| 18. 42-121 Brake Caliper, Right Rear, 560SL
1972-89 345.99 ea. | 33. 43-001 Master Cylinder 1972-89
450SL To VIN# 021171 (Late '74)
450SLC To VIN# 007849 (Late '74)
109.99 ea. | 38. 43-095 Brake Booster, All Models To '85
639.99 ea. |
| 20. 42-156 Caliper Lock Plate, Rear 1972-89
450SL From VIN# 011289 (Mid '73)
To VIN# 030454 (Mid '76)
450SLC From VIN# 001437 (Mid '73)
To VIN# 012291 (Mid '76) 289.99 ea. | 33. 43-022 Master Cylinder 1972-89
450SL From VIN# 021172 (Late '74-'75)
450SLC From VIN# 007850 (Late '74-'75)
219.99 ea. | 38. 43-096 Brake Booster, 1972-89 560SL
379.99 ea. |
| 23. 42-027 Emergency Brake Shoe Kit 1972-89
34.99 ea. | 33. 43-002 Master Cylinder 1972-89
450SL '76 To VIN# 044009 (Mid '78)
450SLC '76 To VIN# 020046 (Mid '78)
304.99 ea. | 39. 43-089 Brake Booster Line, 1972-89
450SL To '75, 450SLC To '75 31.99 ea. |
| 24. 42-157 Brake Shoe Spring Hook (4 Req)
1972-89 2.99 ea. | | 39. 43-090 Brake Booster Line, 1972-89
450SL From '76, 450SLC From '76 40.99 ea. |
| 25. 42-142 Emergency Brake Turnbuckle
1972-89 10.99 ea. | | 39. 43-119 Brake Booster Line, 1972-89
380SL/SLC, 560SL 68.99 ea. |
| 26. 42-077 Pull Knob 1972-89 17.99 ea. | | 40. 42-143 ABS Sensor, Left Or Right Front
All Models '81 To '85 257.99 ea. |
| | | 40. 42-095 ABS Sensor, Left Front, 1972-89
560SL 161.99 ea. |
| | | 40. 42-096 ABS Sensor, Right Front, 1972-89
560SL 159.99 ea. |
| | | 41. 54-031 Brake Light Switch, 1972-89 14.99 ea. |

Brake System



- | | | |
|---|---|---|
| 1. 42-003 Brake Pad Set, Front, 1977-85
All Models to '79
Original 32.99 ea.
42-003M Meyle Aftermarket 29.99 ea. | 20. 43-020 Vacuum Booster Line 1977-85
240D, Manual, To VIN# 195227 (Mid '80)
240D, Auto, To '79
300D To '79
300TD To '79 41.99 ea. | 21. 43-049 Vacuum Booster Line 1977-85
240D From VIN# 208267 ('81) Through '83
300D Turbo All
300CD From VIN# 006720
300CD Turbo All
300TD Turbo All 419.99 ea. |
| 1. 42-012T Brake Pad Set, Front, 1977-85
All Models From '80
Original Textar 54.99 ea.
42-012M Meyle Aftermarket 29.99 ea. | 20. 43-054 Vacuum Booster Line 1977-85
300CD Up To VIN# 004934 Federal
300CD Up To VIN# 004936 California 74.99 ea. | 25. 42-031 Left Front Caliper, ATE 1977-85
123 Models 269.99 ea. |
| 2. 42-005 Brake Pad Set, Rear, 1977-85
All Models
Original 29.99 ea.
42-005M Meyle Aftermarket 25.99 ea. | 20. 42-194 Vacuum Booster Line 1977-85
240D, Auto, From '80 To VIN# 195227 (Mid '80)
300D From '80 To VIN# 202852 (Mid '81)
300CD From VIN# 004935 Fed, From VIN# 004937 CA To 006377 Fed & CA
300TD From '80 To VIN# 018467 (Mid '81) 39.99 ea. | 25. 42-032 Right Front Caliper, ATE 1977-85
123 Models 229.99 ea. |
| 3. 42-014 Front Rotor, Each, 1977-85 All Models
Original 51.99 ea.
42-014M Meyle Aftermarket 35.99 ea. | 20. 42-196 Vacuum Booster Line 1977-85
240D, Manual, From VIN# 195228 (Mid '80) To VIN# 208266 (End Of 80) 49.99 ea. | 26. 42-025 Left Rear Caliper, ATE 1977-85
All 123 Models (Not TD) 175.99 ea. |
| 4. 42-016 Rear Rotor, Each, 1977-85 All Models
Original 31.99 ea.
42-016M Meyle Aftermarket 30.99 ea. | 20. 42-197 Vacuum Booster Line 1977-85
240D, Manual, From VIN# 208267 ('81) To VIN# 296606 (Mid '82) 46.99 ea. | 26. 42-026 Right Rear Caliper, ATE 1977-85
All 123 Models (Not TD) 149.99 ea. |
| 5. 33-013 Front Wheel Seal 1977-85 2.99 ea. | 20. 42-198 Vacuum Booster Line 1977-85
240D, Auto, From VIN# 195228 (Mid '80) To VIN# 208266 (End Of '80)
300D From VIN# 202853 (Mid '80) To End Of '80
300CD From VIN# 006328 To VIN# 006719
300TD From VIN# 018468 (Mid '81) 28.99 ea. | 26. 42-037 Left Rear Caliper, ATE, 1977-85
300TD Only 299.99 ea. |
| 6. 54-001 Brake Wear Sensor 1977-85
All Models, Front Only, (4 Required) 0.99 ea. | 20A. 42-195 Vacuum Booster Line 1977-85
240D, Auto, From '81 To VIN# 296606 (Mid '82)
300D From '81
300CD From VIN# 006720
300D Turbo '82 To VIN# 002135 (Mid '82)
300CD Turbo To VIN# 000508
300TD Turbo To VIN# 007398 (Mid '82) 46.99 ea. | 26. 42-038 Right Rear Caliper, ATE 1977-85
300TD Only 337.99 ea. |
| 10. 29-007 Pedal Pad 1977-85
Fits Manual Transmission
Fits Clutch & Brake Pedals 3.99 ea. | 20. 42-199 Vacuum Booster Line 1977-85
All 240D From VIN# 296607 (Mid '82)
300D Turbo From VIN# 002136 (Mid '82)
300CD Turbo From VIN# 000509
300TD Turbo From VIN# 007399 (Mid '82) 35.99 ea. | 27. 42-019 Caliper Seal Kit, Front ATE 1977-85
All Models To '79 17.99 ea. |
| 11. 29-001 Brake Pedal Pad 1977-85
Automatic Transmission 9.99 ea. | | 27. 42-021 Caliper Seal Kit, Front ATE 1977-85
All Models From '80 19.99 ea. |
| 12. 42-059 Reservoir Cap 1977-85 8.99 ea. | | 27. 42-020 Caliper Seal Kit, Front Bendix
1977-85 All Models With Bendix Calipers 19.99 ea. |
| 15. 43-002 Master Cylinder, All Models To '77 304.99 ea. | | 28. 42-022 Caliper Seal Kit, Rear ATE 1977-85
All Models, With ATE Calipers, Except TD 23.99 ea. |
| 15. 43-003 Master Cylinder
All Models From '78 To '80 89.99 ea. | | 28. 42-042 Caliper Seal Kit, Rear Bendix
1977-85 All Models, With Bendix Calipers, Except TD 17.99 ea. |
| 15. 43-004 Master Cylinder 1977-85
All Models From '81 79.99 ea. | | 28. 42-052 Caliper Seal Kit, Rear Girling
1977-85 All Models, With Girling Calipers, Except TD 35.99 ea. |
| 16. 43-011 Brake Reservoir 1977-85
Fits 43-002 Master Cylinder 147.99 ea. | | 28. 42-043 Caliper Seal Kit, Rear, 1977-85
300TD Only 19.99 ea. |
| 16. 43-012 Brake Reservoir Fits 43-003 & 43-004 Master Cylinder 74.99 ea. | | 30. 42-039 Brake Hose, Front 1977-85
All Models To '79 21.99 ea. |
| 17. 29-006 Seal For Reservoir 1977-85
All Models, (2 Required) 3.99 ea. | | 30. 42-040 Brake Hose, Front 1977-85
All Models From '80 12.99 ea. |
| 18. 43-008 Vacuum Booster, New, 1977-85
All Models 369.99 ea. | | 31. 42-041 Brake Hose, Rear, 1977-85
All Models 12.99 ea. |
| 19. 43-010 O-Ring Included With Master Cylinder & Vacuum Booster 1977-85 5.99 ea. | | 32. 42-027 Emergency Brake Shoe Kit
1977-85 Includes Shoes For Both Wheels 34.99 ea. |
| 19. 35-026 Differential Seal, Input, 1977-85 9.99 ea. | | 33. 882943 Brake Fluid, 1 Liter, 1977-85 16.99 ea. |
| 20. 42-192 Vacuum Booster Line, 1977-85 230 31.99 ea. | | |
| 20. 42-193 Vacuum Booster Line, 1977-85 280E, CE 27.99 ea. | | |

Brake System



- | | | |
|--|---|--|
| 1. 29-001 Brake Pedal Pad, 1981-91 9.99 ea. | 20. 43-048 Brake Reservoir, W/Seals, 1981-91 All Models From '86 67.99 ea. | 25. 42-090 Right Front Caliper, 1981-91 380SEC, 500SEC 269.99 ea. |
| 2. 42-012T Front Brake Pads, All Sedans 1981-91; 560SEC Original Textar 54.99 ea.
42-012M Meyle Aftermarket 29.99 ea. | 21. 43-037 Brake Booster, 1981-91, All Models To '85 739.99 ea. | 25. 42-024 Right Front Caliper, 1981-91 300SD 380SE, SEL; 500SEL 279.99 ea. |
| 3. 42-087 Front Brake Pads, 1981-91 380SEC, 500SEC Original 104.99 ea.
42-087M Meyle Aftermarket 48.99 ea. | 21. 43-042 Brake Booster, 1981-91, All Models From '86 429.99 ea. | 25. 42-118 Right Front Caliper, 1981-91 300SDL 350SD,SDL; 420SEL 300SE, SEL; 560SEL, SEC 279.99 ea. |
| 4. 42-005 Rear Brake Pads, 1981-91 Original 29.99 ea.
42-005M Meyle Aftermarket 25.99 ea. | 22. 43-040 Brake Booster Hose, 1981-91 All Gas Models To '85 33.99 ea. | 26. 42-025 Left Rear Caliper, 1981-91 All Models Except 500SEL, SEC 560SEL, SEC From '88 175.99 ea. |
| 4. 42-244 Rear Brake Pads, 1981-91 560SEL, SEC With ASR Original 44.99 ea. | 22. 43-041 Brake Booster Hose 1981-91 420SEL; 560SEL, SEC 40.99 ea. | 26. 42-120 Left Rear Caliper, 1981-91, 500SEL, SEC; 560SEL, SEC To '87 269.99 ea. |
| 5. 42-002 Front Brake Rotor, 1981-91 All Models to '85 Except Coupes Original 44.99 ea.
42-002M Meyle Aftermarket 34.99 ea. | 22. 43-033 Brake Booster Hose 1981-91 300SD To VIN# 018732 117.99 ea. | 26. 42-026 Right Rear Caliper, 1981-91 All Models Except 500SEL, SEC 560SEL, SEC From '88 149.99 ea. |
| 5. 42-088 Front Brake Rotor, Each, 1981-91 Coupes To 1985 44.99 ea. | 22. 43-065 Brake Booster Hose 1981-91 300SD From VIN# 018733 109.99 kit | 26. 42-121 Right Rear Caliper, 1981-91 500SEL, SEC; 560SEL, SEC To '87 345.99 ea. |
| 5. 42-044 Front Brake Rotor, 1981-91 All Models From 1986 Original 44.99 ea.
42-044M Meyle Aftermarket 45.99 ea. | 23. 42-027 Emergency Brake Shoe Kit 1981-91 34.99 ea. | 27. 42-021 Caliper Seal Kit, Front ATE, 1981-91 All Sedans To '85 With ATE Caliper 19.99 ea. |
| 6. 42-016 Rear Brake Rotor 1981-91 Original 31.99 ea.
42-016M Meyle Aftermarket 30.99 ea. | 24. 43-003 Brake Master Cylinder, W/Seals, 1981-91 300SD To VIN# 050789 (Mid '84) 380SEL To VIN# 048641 (Mid '84) 380SEC To VIN# 007911 (Mid '84) 89.99 ea. | 27. 42-124 Caliper Seal Kit, Front, 1981-91 All Coupes To '85 11.99 ea. |
| 7. 33-013 Front Wheel Seal, Each All Models 1981-91 W/O ABS 2.99 ea. | 24. 43-004 Brake Master Cylinder, w/Seals, 1981-91 300SD From VIN# 050790 (Mid '84) 380SE 380SEL From VIN# 048642 From (Mid '84) 380SEC From VIN# 007912 From (Mid '84) 500SEL, SEC 79.99 ea. | 27. 42-020 Caliper Seal Kit, Front Bendix, 1981-91 All Sedans To '85 With Bendix Caliper 19.99 ea. |
| 7. 33-012 Front Wheel Seal, Each, 1981-91 All Models With ABS 5.99 ea. | 24. 43-007 Brake Master Cylinder, W/Seals, 1981-91 All Models From '86 89.99 ea. | 27. 42-050 Caliper Seal Kit, Front ATE, 1981-91 All Mod From '86 With ATE Caliper All Mod From VIN# A455161 (Mid '88) W/Bendix Cal 39.99 ea. |
| 10. 54-001 Brake Wear Sensors (4 Req) 1981-91 All Models Except 380SEC & 500SEC 0.99 ea. | 25. 42-089 Left Front Caliper, 1981-91, 380SEC, 500SEC 424.99 ea. | 27. 42-051 Caliper Seal Kit, Front Bendix, 1981-91 All Models From '86 To VIN# A455160 (Mid '88) 21.99 ea. |
| 11. 54-002 Brake Wear Sensors (2 Req) 1981-91 380SEC, 500SEC 1.99 ea. | 25. 42-023 Left Front Caliper, 1981-91 300SD, 500SEL 380SE, SEL 289.99 ea. | 28. 42-022 Caliper Seal Kit, Rear ATE 1981-91 23.99 ea. |
| 13. 43-010 O-Ring Seal 1981-91 5.99 ea. | 25. 42-119 Left Front Caliper, 1981-91 300SDL, 350SD,SDL; 420SEL 300SE, SEL; 560 SEL, SEC 289.99 ea. | |
| 14. 29-006 Seal For Reservoir/Mstr Cylinder 1981-91 All Models To '85 3.99 ea. | | |
| 14. 42-060 Seal For Reservoir/Mstr Cylinder 1981-91 All Models From '86 8.99 ea. | | |
| 20. 43-012 Brake Reservoir, W/Seals, 1981-91 All Models To '85 74.99 ea. | | |

1981-91 Continued On Next Page

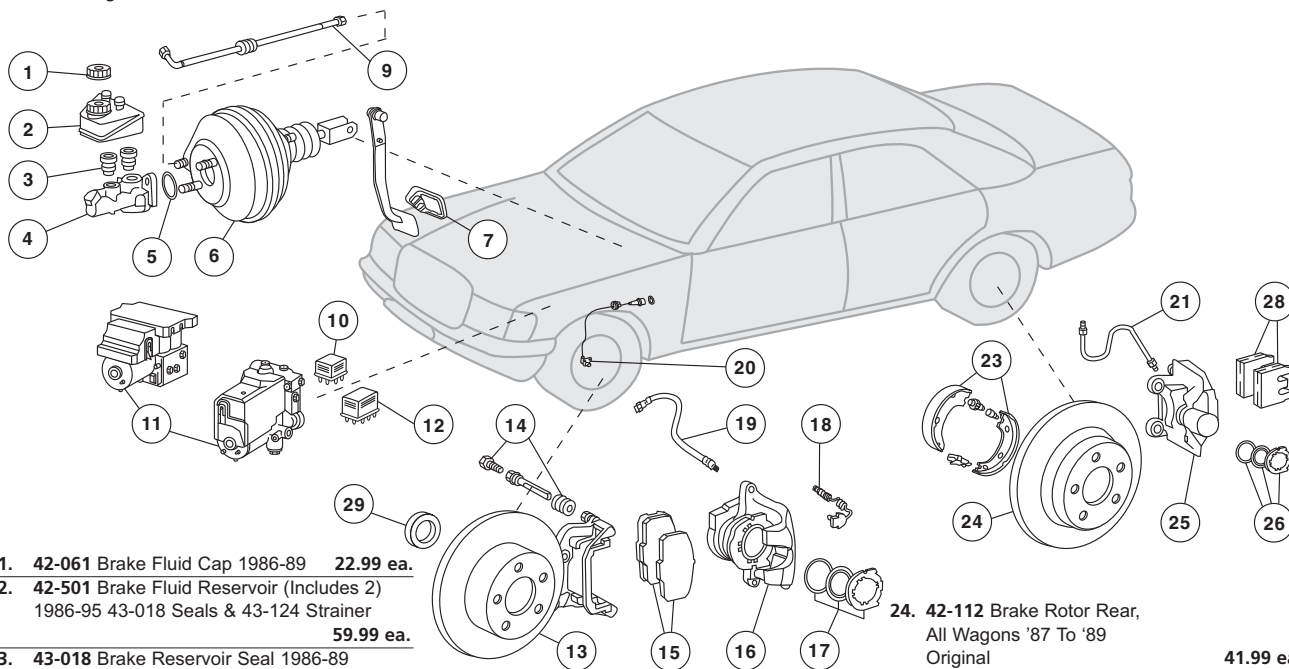
1981-91 Continued

28. 42-042 Caliper Seal Kit, Rear Bendix 1981-91	17.99 ea.
28. 42-052 Caliper Seal Kit, Rear Girling 1981-91	35.99 ea.
30. 42-040 Brake Hose, Front, 1981-91	12.99 ea.
31. 42-041 Brake Hose, Rear, 1981-91 All 300SE/SEL,380/SE/SEL, 300SD, 300SDL; 350SD, 350SDL All 420SEL; 560SEL From 1988 All 380SEC, 560SEC 1988-On	12.99 ea.

31. 42-155 Brake Hose, Rear, 1981-91 All 500SEL, & 560SEL Thru 1987 All 500SEC, & 560SEC Thru 1987	11.99 ea.
35. 54-022 ABS Servo Relay , 1981-91 All Models To VIN# A215295 (Mid '86)	17.99 ea.
36. 54-080 ABS Servo Relay, 1981-91 All Models From VIN# A215296 (Mid '86)	34.99 ea.
37. 54-609 ABS Sensor, Left Front, 1981-91 To VIN# 514906	224.99 kit

37. 54-610 ABS Sensor, Right Front, 1981-91 To VIN# 514906	214.99 kit
37. 54-302 ABS Sensor, Left Front, 1981-91 All Models From VIN# 514907	219.99 ea.
37. 54-303 ABS Sensor, Right Front, 1981-91 All Models From VIN# 514907	191.99 ea.
38. 54-304 ABS Sensor, Rear Axle, 1981-91 All Gas Models From '86	209.99 ea.
39. 43-025 ABS Servo Unit, 1981-91 All Models From VIN# A215296 (Mid '86)	2199.99 ea.

Brake System 1986-89

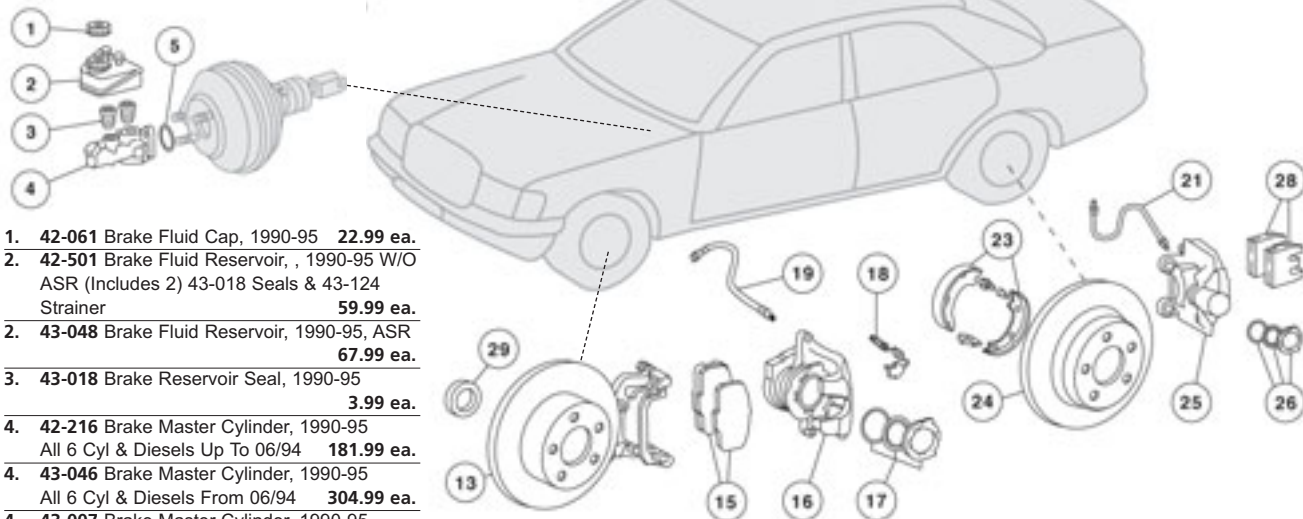


1. 42-061 Brake Fluid Cap 1986-89	22.99 ea.
2. 42-501 Brake Fluid Reservoir (Includes 2) 1986-95 43-018 Seals & 43-124 Strainer	59.99 ea.
3. 43-018 Brake Reservoir Seal 1986-89	3.99 ea.
4. 43-036 Brake Master Cylinder 1986-89	179.99 ea.
5. 42-058 Seal Ring, Mast Cyl To Booster 1986-89	241.99 ea.
6. 43-017 Brake Booster 1986-89	379.99 ea.
7. 29-021 Brake Pedal Pad All Sedans With Manual Transmission, 1986-89	9.99 ea.
7. 29-001 Brake Pedal Pad All Models With Automatic Transmission 1986-89	9.99 ea.
9. 43-019 Vacuum Line All Gasoline Models '86 To '89	57.99 ea.
9. 43-043 Vacuum Line, All Diesel Models '87	59.99 ea.
10. 54-112 Relay, ABS Solenoid 1986-89	52.99 ea.
11. 43-025 ABS Unit, 1986-89	2199.99 ea.
12. 54-080 Relay, ABS Motor, 1986-89	34.99 ea.
13. 42-030 Brake Rotor Front, 1986-89 Original 32.99 ea. 42-030M Meyle Aftermarket 28.99 ea.	
14. 42-094 Caliper Mounting Kit, Front, 1986-89	24.99 ea.

15. 42-010 Brake Pad Set, 1986-89 Original 45.99 ea. 42-010M Meyle Aftermarket 46.99 ea.	
16. 42-053 Brake Caliper, Left Front, 1986-89	116.99 ea.
16. 42-056 Brake Caliper, Right Front, 1986-89	114.99 ea.
17. 42-068 Caliper Repair Kit, Front, 1986-89	6.99 ea.
18. 54-002 Brake Sensor, 1986-89	1.99 ea.
19. 42-040 Brake Hose, Front, 1986-89	12.99 ea.
20. 42-133 ABS Sensor Wires Lt & Rt, 1986-89	219.99 kit
21. 42-041 Brake Hose, Rear, 1986-89	12.99 ea.
23. 42-045 Brake Shoe Set, Rear, 1986-89	24.99 ea.
24. 42-029 Brake Rotor Rear, All Sedans and Coupes '86 To '89 Original 21.99 ea. 42-029M Meyle, Aftermarket 34.99 ea.	

24. 42-112 Brake Rotor Rear, All Wagons '87 To '89 Original 41.99 ea. 42-112M Meyle, Aftermarket 32.99 ea.	
25. 42-054 Brake Caliper, Left, Rear All Sedans & Coupes '86 To '89	216.99 ea.
25. 42-033 Brake Caliper, Left, Rear All Wagons '87 To '89	279.99 ea.
25. 42-055 Brake Caliper, Right, Rear All Sedans & Coupes '86 To '89	229.99 ea.
25. 42-034 Brake Caliper, Right, Rear All Wagons '87 To '89	297.99 ea.
26. 42-067 Caliper Repair Kit, Rear All Sedans & Coupes '86 To '89	24.99 ea.
26. 42-022 Caliper Repair Kit, Rear All Wagons '87 To '89	23.99 ea.
28. 42-007 Brake Pad Set, Rear, All Sedans and Coupes '86 To '89 Original 32.99 ea. 42-007M Meyle Aftermarket 27.99 ea.	
28. 42-057 Brake Pad Set, Rear, All Wagons '87 To '89 Original 42.99 ea. 42-057M Meyle, Aftermarket 32.99 ea.	
29. 33-014 Wheel Bearing Grease Seal, 1986-89	6.99 ea.

Brake System 1990-95



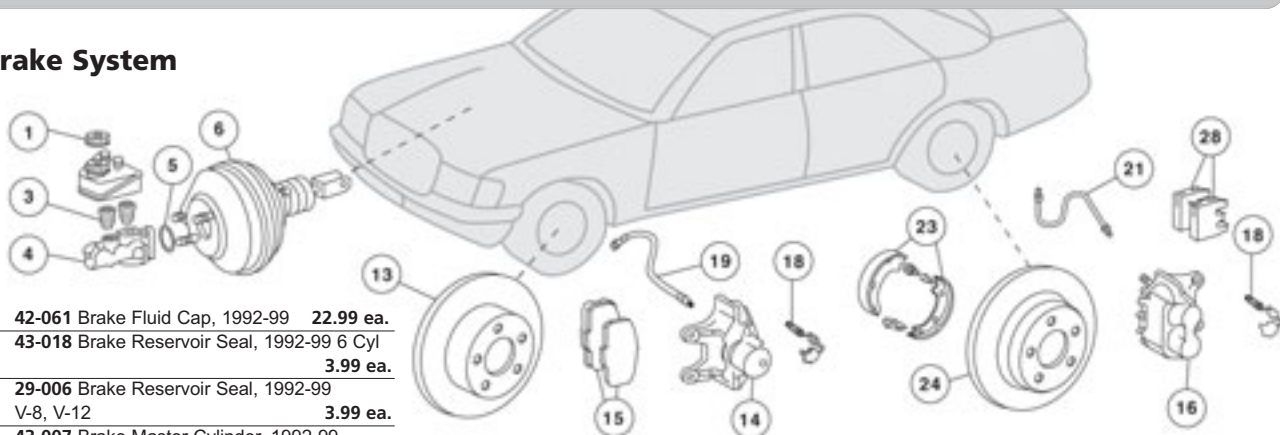
- | | | | |
|--|--|--|--|
| 1. 42-061 Brake Fluid Cap, 1990-95 22.99 ea. | | | |
| 2. 42-501 Brake Fluid Reservoir, , 1990-95 W/O ASR (Includes 2) 43-018 Seals & 43-124 Strainer 59.99 ea. | | | |
| 2. 43-048 Brake Fluid Reservoir, 1990-95, ASR 67.99 ea. | | | |
| 3. 43-018 Brake Reservoir Seal, 1990-95 3.99 ea. | | | |
| 4. 42-216 Brake Master Cylinder, 1990-95 All 6 Cyl & Diesels Up To 06/94 181.99 ea. | | | |
| 4. 43-046 Brake Master Cylinder, 1990-95 All 6 Cyl & Diesels From 06/94 304.99 ea. | | | |
| 4. 43-007 Brake Master Cylinder, 1990-95 All V-8 Models To 06/94 89.99 ea. | | | |
| 4. 42-265 Brake Master Cylinder, 1990-95 E420 Models From 06/94 309.99 ea. | | | |
| 5. 42-058 Seal Ring, Mast Cyl To Booster, 1990-95 7.99 ea. | | | |
| 13. 42-108 Brake Rotor, Front, 1990-95 Coupe & Conv, '90 To VIN# B862121 300E, E320 '93 To VIN# B864307 300TE, '93 To VIN# F242721 400E Up To '92 67.99 ea. | | | |
| 13. 42-107 Brake Rotor, Front, 1990-95 Coupe & Conv, From VIN# B862122 300E, E320 From VIN# B864308 300TE & E320 Wagon From VIN# F242722 400E, E420 From '93 Original 54.99 ea. | | | |
| 42-107M Meyle Aftermarket 49.99 ea. | | | |
| 13. 42-030M Meyle Aftermarket 28.99 ea. | | | |
| 13. 42-164 Brake Rotor, Front, Left Or Right, 1990-95 500E, '92 To VIN# B930494 Original 69.99 ea. | | | |
| 42-164M Meyle Aftermarket 49.99 ea. | | | |
| 13. 42-110 Brake Rotor, Front Left, 1990-95 500E, E500, From VIN# B930495 99.99 ea. | | | |
| 13. 42-111 Brake Rotor, Front Right, 1990-95 500E, E500, From VIN# B930495 99.99 ea. | | | |
| 15. 42-010 Brake Pad Set, Front, 1990-95 All 6 Cyl. Gas Sedans & Wagons To '92; 300CE '88-'89 (No 4-Matic) All Diesels From '90; 300E 2.8 Original 45.99 ea. | | | |
| 42-010M Meyle Aftermarket 46.99 ea. | | | |
| 15. 42-102 Brake Pad Set, Front, 1990-95 All 6 Cyl. Gas Sedans & Wagons From '93 Except 300E 2.8 (No 4-Matic) All 300CE From '90 All 400/E420, 500E/E500 Original 77.99 ea. | | | |
| 42-102M Meyle Aftermarket 39.99 ea. | | | |
| 15. 42-113 Brake Pad Set, Front , 1990-95 All 4-Matic 46.99 ea. | | | |
| 16. 42-053 Brake Caliper, Left Front, 1990-95 300E 2.6; 300E 2.8; 300E, 300D, 300TE Up To '92 116.99 ea. | | | |
| 16. 42-056 Caliper, Right Front, 1990-95 300E 2.6, 300E 2.8; 300E, 300D, 300TE Up To '92 114.99 ea. | | | |
| 16. 42-207 Brake Caliper, Left Front, 1990-95 300E, E320 '93 Up To VIN# B864307 300TE, E320 Wagon Up To VIN# F242721 300CE, E320 CE & Conv Up To VIN# B862121 899.99 ea. | | | |
| 16. 42-209 Brake Caliper, Left Front, 1990-95 300E, E320 From VIN# B864308 300TE, E320 Wagon From VIN# F242722 300CE, E320 Coupe & Conv From VIN# B862122 679.99 ea. | | | |
| 16. 42-208 Brake Caliper, Right Front, 1990-95 300E, E320 From '93 To VIN# B864307 300TE, E320 Wgn Up To VIN# F242721 300CE, E320 Cpe & Conv Up To VIN# B862121 769.99 ea. | | | |
| 16. 42-210 Brake Caliper, Right Front, 1990-95 300E & E320 From VIN# B864308 300TE, E320 Wagon From VIN# F242722 300CE, E320 Cpe & Conv From VIN# B862212 400E, E420 From '93 679.99 ea. | | | |
| 16. 42-211 Brake Caliper, Left Front, 1990-95 500E To VIN# B930494 (Mid '93) 889.99 ea. | | | |
| 16. 42-214 Brake Caliper, Left Front, 1990-95 500E/E500 From VIN# B930495 (Mid '93) 999.99 ea. | | | |
| 16. 42-212 Brake Caliper, Right Front, 1990-95 500E To VIN# B930494 (Mid '93) 889.99 ea. | | | |
| 16. 42-215 Brake Caliper, Right Front, 1990-95 500E/E500 From VIN# B930495 (Mid '93) 999.99 ea. | | | |
| 16. 42-271 Brake Caliper, Left Front, 1990-95 All 4-Matic Sedans/Wagons 321.99 ea. | | | |
| 16. 42-270 Brake Caliper, Right Front, 1990-95 All 4-Matic Sedans/Wagons 321.99 ea. | | | |
| 17. 42-068 Caliper Repair Kit, Front, 1990-95 All 6 Cyl. Sedans/Wagons Up To '92, All Diesels, All 4-Matic 6.99 ea. | | | |
| 17. 42-203 Caliper Repair Kit, Front, 1990-95 All 6 Cyl. Sedans/Wagons From '93; All Coupes 60.99 ea. | | | |
| 17. 42-213 Caliper Repair Kit, Front, 1990-95 500E, E500 Up To VIN# B930494 33.99 ea. | | | |
| 17. 42-203 Caliper Repair Kit, Front, 1990-95 400E, E420; 500E/E500 From VIN# B930495 60.99 ea. | | | |
| 18. 54-002 Brake Sensor, (2 Required), 1990-95 All 6 Cyl. Sedans Up To '92; All Wagons '87-'92 All Diesels, All 500E/E500; Coupes To '89 1.99 ea. | | | |
| 18. 54-001 Brake Sensor, (4 Required), 1990-95 All 6 Cyl. Gas Models From '93 All Coupes From '90, All 400E/E420 0.99 ea. | | | |
| 18. 54-001 Sensor, Rear, (4 Required), 1990-95 Only If Equipped With ASR 0.99 ea. | | | |
| 19. 42-040 Brake Hose, Front, 1990-95 All Models Except 4-Matic 12.99 ea. | | | |
| 19. 42-114 Brake Hose, Front, Each, 1990-95 All 4-Matic Sedans & Wagons 24.99 ea. | | | |
| 21. 42-041 Brake Hose, Rear, 1990-95, All inc. 4-Matic 12.99 ea. | | | |
| 23. 42-045 Brake Shoe Set, Rear, 1990-95 All Including 4-Matic 24.99 ea. | | | |
| 24. 42-029 Brake Rotor, Rear, 1990-95 300E 2.6; 300E 2.8; 300E Up To '92; All Diesels All 4-Matic Sedans; 300CE '88-'89 Original 21.99 ea. | | | |
| 42-029M Meyle Aftermarket 34.99 ea. | | | |
| 24. 42-112 Brake Rotor, Rear, 1990-95 300CE, E320 Coupe & Convertible '90-'95 300E & E320 Sedan, From '93 300TE Up To '92; All 4-Matic Wagons Original 41.99 ea. | | | |
| 42-112M Meyle Aftermarket 32.99 ea. | | | |

1986-95 Continued On Next Page

1986-95 Continued

- | | | |
|--|--|--|
| <p>24. 42-117 Brake Rotor, Rear, 1990-95
300TE, E320 Wagon, '93 To VIN# F323055
85.99 ea.</p> <p>24. 42-163 Brake Rotor, Rear, 1990-95
300TE, E320 Wagon From VIN# F323056
69.99 ea.</p> <p>24. 42-104 Brake Rotor, Rear, 1990-95;
400E, E420 39.99 ea.</p> <p>24. 42-116 Brake Rotor, Rear, 1990-95;
500E, E500 69.99 ea.</p> <p>25. 42-033 Brake Caliper, Left, Rear, 1990-95
300CE, E320 Coupe & Convertible
300E, E320 Sedan From '93; 300TE To '92
4-Matic Wagon 279.99 ea.</p> <p>25. 42-034 Brake Caliper, Right, Rear, 1990-95
300CE, E320 Coupe & Convertible
300E, E320 Sedan From '93
300TE To '92 4-Matic Wagon 297.99 ea.</p> <p>25. 42-054 Brake Caliper, Lft, Rr, W/O ASR,
1990-95 300E 2.6; 300E; All 4-Matic Sedans
300E 2.8; All Diesel Sedans 216.99 ea.</p> <p>25. 42-055 Brake Caliper, Rt, Rr, W/O ASR,
1990-95 300E 2.6; 300E, 300D
All 4-Matic Sedans
300E 2.8; All Diesel Sedans 229.99 ea.</p> | <p>25. 42-217 Brake Caliper, Left Rear, With ASR
90-92 300E2.6, 300E2.8, 300E 321.99 ea.</p> <p>25. 42-218 Brake Caliper, Right Rear, With ASR
90-92 300E2.6, 300E2.8, 300E 317.99 ea.</p> <p>25. 42-199 Brake Caliper, Left Rear, 1990-95
300TE/E320 Wagon 1993 To VIN# F323055
829.99 ea.</p> <p>25. 42-200 Brake Caliper, Right Rear, 1990-95
300TE/E320 Wagon 1993 To VIN# F323055
829.99 ea.</p> <p>25. 42-201 Brake Caliper, Left Rear, 1990-95
E320 Wagon From VIN# F323056
299.99 ea.</p> <p>25. 42-202 Brake Caliper, Right Rear, 1990-95
E320 Wagon From VIN# F323056 299.99 ea.</p> <p>25. 42-105 Brake Caliper, Left Rear, 1990-95
400E/E420, 500E/E500 334.99 ea.</p> <p>25. 42-106 Brake Caliper, Right Rear, 1990-95
400E/E420, 500E/E500 334.99 ea.</p> <p>26. 42-067 Caliper Repair Kit, Rear, 1990-95
300E 2.6; 300E 2.8; 300E Up To '92;
4-Matic Sedans '90-93 Diesels 24.99 ea.</p> <p>26. 42-204 Caliper Repair Kit, Rear, 1990-95
All Coupes & Convertibles
All V-8; 300E '90-'93
E320 Sedan; 300TE Up To '92
All 4-Matic Wagons 33.99 ea.</p> | <p>26. 42-205 Caliper Repair Kit, Rear, 1990-95
300TE & E320 Wagon
From '93 To VIN# F323055 81.99 ea.</p> <p>26. 42-206 Caliper Repair Kit, Rear, 1990-95
E320 Wagon From VIN# F323056 22.99 ea.</p> <p>28. 42-007 Brake Pad Set, Rear, W/O ASR,
1990-95 300E 2.6; 300E 2.8; 300E, 4-Matic,
All Diesels
Original 32.99 ea.
42-007M Meyle Aftermarket 27.99 ea.</p> <p>28. 42-009 Brake Pad Set, Rear, With ASR,
1990-95 300E 2.6; 300E 2.8; 300E 49.99 ea.</p> <p>28. 42-057 Brake Pad Set, Rear
E320, All Coupes & Conv., ALL V-8
300TE/E320 Wagon To VIN#F323055
Original 42.99 ea.
42-057M Meyle Aftermarket 32.99 ea.</p> <p>28. 42-181 Brake Pad Set, Rear, 1990-95
E320 Wagon From VIN# F323056 43.99 ea.</p> <p>29. 33-014 Wheel Bearing Grease Seal, 1990-95
All Models Except V-8 & Convertible
6.99 ea.</p> <p>29. 33-092 Wheel Bearing Grease Seal, 1990-95
All V-8 Models & Convertible 4.99 ea.</p> |
|--|--|--|

Brake System



- | | | |
|---|---|--|
| <p>1. 42-061 Brake Fluid Cap, 1992-99 22.99 ea.</p> <p>3. 43-018 Brake Reservoir Seal, 1992-99 6 Cyl
3.99 ea.</p> <p>3. 29-006 Brake Reservoir Seal, 1992-99
V-8, V-12 3.99 ea.</p> <p>4. 43-007 Brake Master Cylinder, 1992-99
All 6 Cyl & Diesels Up To VIN# A 212244
89.99 ea.</p> <p>4. 43-052 Brake Master Cylinder, 1992-99
All 6 Cyl & Diesels From
VIN# A 212245 To 1992-97 164.99 ea.</p> <p>4. 43-058 Brake Master Cylinder, 1998-99
All 6 Cyl & Diesels 241.99 ea.</p> <p>4. 43-051 Brake Master Cylinder, 1992-99
All V-8 & V-12 Models To
VIN# A 110606 889.99 ea.</p> <p>4. 43-064 Brake Master Cylinder, 1992-99
All V-8 & V-12 From VIN# A 110607 To
A212244 949.99 ea.</p> <p>4. 43-059 Brake Master Cylinder, 1992-97
All V-8 & V-12 Models From
VIN# A 212245 To 1992-97 839.99 ea.</p> <p>4. 43-060 Brake Master Cyl 1998-99
All V-8 & V-12, 919.99 ea.</p> <p>5. 42-058 Seal Ring, Mast Cyl To Booster,
1992-99 241.99 ea.</p> | <p>6. 43-042 Brake Booster, 1992-97
All 6 Cyl & Diesels 429.99 ea.</p> <p>6. 43-062 Brake Booster, 1998-99
All 6 Cyl & Diesels 839.99 ea.</p> <p>6. 43-063 Brake Booster V-8 & V-12, 1992-97
469.99 ea.</p> <p>6. 43-061 Brake Booster V-8 & V-12, 1998-99
869.99 ea.</p> <p>13. 42-185 Brake Rotors, Front, 1992-99
All 6 Cyl & Diesels '92 To VIN# 050547
105.99 ea.</p> <p>13. 42-186 Brake Rotors, Front, 1992-99
All 6 Cyl & Diesels From VIN# 050548
89.99 ea.</p> <p>13. 42-186 Brake Rotors, Front, 1992-99
All V-8 & V-12 89.99 ea.</p> <p>14. 42-460 Front Caliper, Left, 1992-99
300SE/300SD To VIN# A050547 479.99 ea.</p> <p>14. 42-461 Front Caliper, Right, 1992-99
300SE/300SD To VIN# A050547 479.99 ea.</p> | <p>14. 42-239 Front Caliper, Left, 1992-99
All V-8, V-12, Sedans & Coupes
300SE/300SD From VIN# A050548 599.99 ea.</p> <p>14. 42-240 Front Caliper, Right, 1992-99
All V-8, V-12, Sedans & Coupes
300SE/300SD From VIN# A050548 599.99 ea.</p> <p>15. 42-178 Brake Pad Set, Front, 1992-99
All 6 Cyl & Diesels 1992 To VIN# A050547
124.99 ea.</p> <p>15. 42-122 Brake Pad Set, Front, 1992-99
All 6 Cyl & Diesels from VIN# A050548
All V-8, All V-12
Original 84.99 ea.
42-122M Meyle Aftermarket 69.99 ea.</p> <p>16. 42-457 Rear Caliper, Left, 1992-99
300SE, S320, 300SD 314.99 ea.</p> <p>16. 42-456 Rear Caliper, Right, 1992-99
300SE, S320, 300SD 297.99 ea.</p> <p>16. 42-458 Rear Caliper, Left, 1992-99
All V-8, V-12, Sedans & Coupes 269.99 ea.</p> |
|---|---|--|

1992-99 300SE / S320, 300SD / S350, 400SE / SEL / S420, 500SEL / SEC / S500, 600SEL / SEC / S600 **140 Chassis**

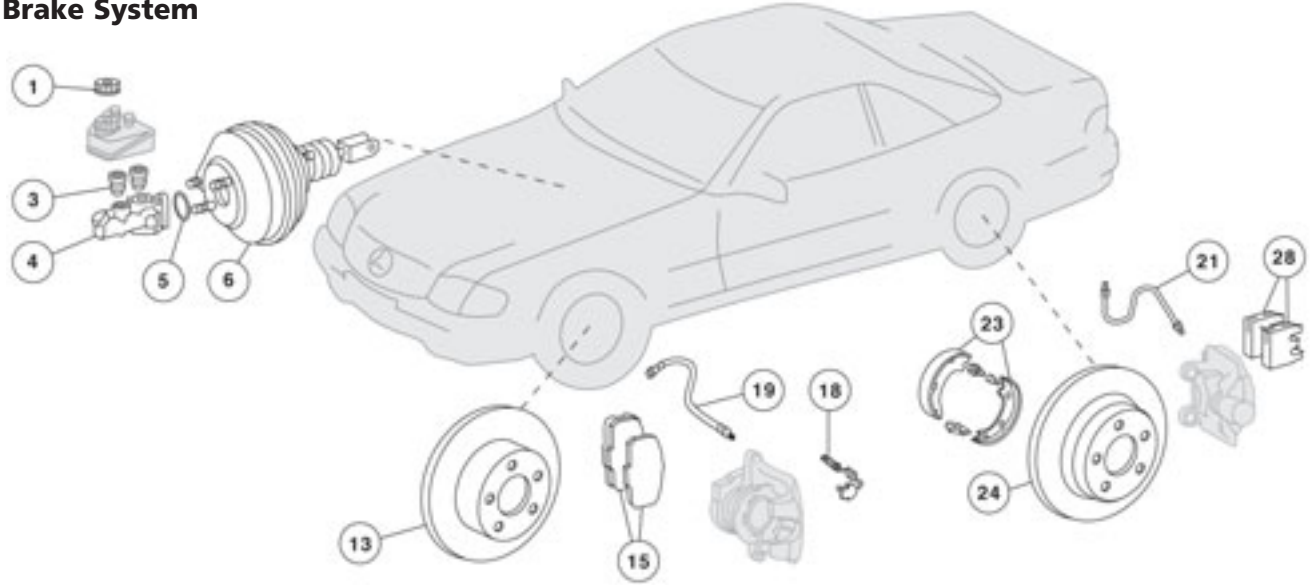
- 16. **42-459** Rear Caliper, Right, 1992-99
All V-8, V-12, Sedans & Coupes **257.99 ea.**
- 18. **54-001** Brake Sensor, Front, (4 Req.),
1992-99 **0.99 ea.**
- 18. **54-001** Brake Sensor, Rear, (4 Req.),
1992-99 **0.99 ea.**
- 19. **42-279** Brake Hose, Front
All Sedans 1992-95, Coupes 1992 To 03/95
19.99 ea.
- 19. **42-473** Brake Hose, Front
All Coupes 04/95 To 09/95 **54.99 ea.**

- 19. **42-280** Brake Hose, Front, , 1996-99
All Models **19.99 ea.**
- 21. **42-041** Brake Hose, Rear, 1992-95 **12.99 ea.**
- 21. **42-281** Brake Hose, Rear, 1996-99 **17.99 ea.**
- 23. **42-045** Brake Shoe Set, Rear, 1992-99
All Models **24.99 ea.**
- 24. **42-183** Brake Rotor Rear, 1992-99
All 6 Cyl & Diesels
Original **13.99 ea.**
42-183M Meyle Aftermarket **39.99 ea.**

- 24. **42-184** Brake Rotor Rear, 1992-99
All V-8 & V-12
Original **63.99 ea.**
42-184M Meyle Aftermarket **46.99 ea.**
- 28. **42-168** Brake Pad Set, Rear, 1992-99
All Models
Original **43.99 ea.**
42-168M Meyle Aftermarket **44.99 ea.**

1990-02 300SL / SL320, 500SL / SL500, 600SL / SL600 **129 Chassis**

Brake System



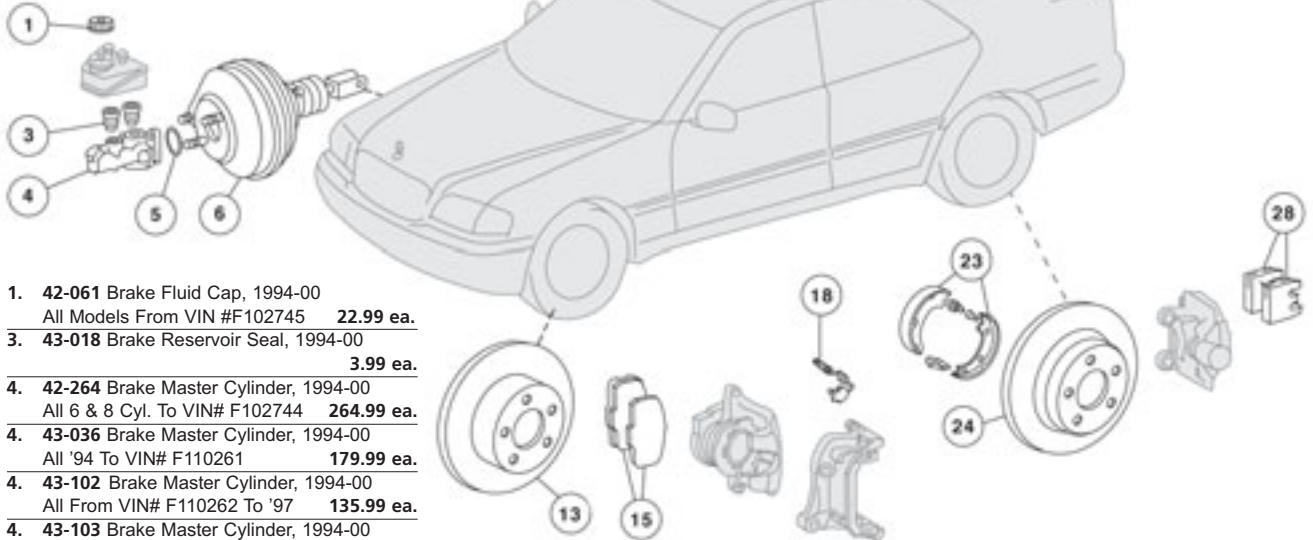
- 1. **42-059** Brake Fluid Cap, 1990-02
All Models To VIN #F102744 **8.99 ea.**
- 1. **42-061** Brake Fluid Cap, 1990-02
All Models From VIN #F102745 **22.99 ea.**
- 3. **43-018** Brake Reservoir Seal, 1990-02
All 6 & 8 Cyl. Models '90-'98 W/O ESP* **3.99 ea.**
- 3. **29-006** Brake Reservoir Seal, 1990-02
All V-12, All V-8 '99-'02 **3.99 ea.**
- 4. **43-007** Brake Master Cylinder, 1990-02
All 6 & 8 Cyl. To VIN# F102744 **89.99 ea.**
- 4. **43-051** Brake Master Cylinder, 1990-02
All V-12 To VIN# F102744 **889.99 ea.**
- 4. **43-052** Brake Master Cylinder, 1990-02
All 6 & 8 Cyl From VIN# F102745 To '97 No ESP* **164.99 ea.**
- 4. **43-097** Brake Master Cylinder, 1990-02
V-12 From VIN.# F102745 To '97
SL500 '96-'97 With ESP* **949.99 ea.**
- 4. **43-098** Brake Master Cylinder, 1998
All V-8 With ESP* **969.99 ea.**
- 4. **43-058** Brake Master Cylinder, 1998
All V-8 & 6 Cyl, No ESP* **241.99 ea.**
- 4. **43-099** Brake Master Cyl, All Models '99-'02
409.99 ea.
- 5. **42-058** Seal Ring, Mast Cyl To Booster,
1990-02 **7.99 ea.**
- 6. **43-042** Brake Booster, '90-'97 **429.99 ea.**

- 6. **43-100** Brake Booster, 1998 **799.99 ea.**
- 6. **43-101** Brake Booster, '99-'02 **1049.99 ea.**
- 13. **42-164** Brake Rotor, Front, 1990-02
All 6 & 8 Cyl '90-'98, No ESP*
Original **69.99 ea.**
42-164M Meyle Aftermarket **49.99 ea.**
- 13. **42-110** Brake Rotor, Front Left
All V-12 '93 To '98 **99.99 ea.**
- 13. **42-111** Brake Rotor, Front Right
All V-12 '93 To '98 **99.99 ea.**
- 13. **42-170** Brake Rotor
All V-8, V-12, '99-'02 Except V-12 Silver
Arrow Edition **154.99 ea.**
- 13. **42-462** Brake Rotor, Front
2002 V-12 Silver Arrow Edition **127.99 ea.**
- 15. **42-102** Brake Pad Set, Front, '90-'98
Original **77.99 ea.**
42-102M Meyle Aftermarket **39.99 ea.**
- 15. **42-169** Brake Pad Set, Front, '99-'02
Original **89.99 ea.**
42-169M Meyle Aftermarket **39.99 ea.**
- 18. **54-001** Brake Sensor, Front (4 Req.),
1990-02 **0.99 ea.**
- 18. **54-001** Brake Sensor, Rear, 1990-02
4 Req To VIN# F102744, 1 Req From
VIN#F102745 **0.99 ea.**

- 19. **42-040** Brake Hose, Front, '90-'95 **12.99 ea.**
- 19. **42-283** Brake Hose, Front, '96-'02 **13.99 ea.**
- 21. **42-041** Brake Hose, Rear, '90-'95 **12.99 ea.**
- 21. **42-281** Brake Hose, Rear, '96-'02 **17.99 ea.**
- 23. **42-045** Brake Shoe Set, Rear, 1990-02
24.99 ea.
- 24. **42-171** Brake Rotor, Rear
6 Cyl '90-'95, V-8 '90-'95 **37.99 ea.**
- 24. **42-173** Brake Rotor, Rear
6 Cyl '96-'98, V-8 '96-'98 (No ESP)* **49.99 ea.**
- 24. **42-172** Brake Rotor, Rear
SL 500 '96-'98 (ESP)*, SL500 '99-'02
103.99 ea.
- 24. **42-172** Brake Rotor, Rear, 1990-02
All V-12 Except Silver Arrow Edition
103.99 ea.
- 24. **42-463** Brake Rotor, Rear 2002 V-12 Silver
Arrow Edition **127.99 ea.**
- 28. **42-057** Brake Pad Set, Rear, All '90-'95
(Except V-12), No ESP
Original **42.99 ea.**
42-057M Meyle Aftermarket **32.99 ea.**
- 28. **42-168** Brake Pad Set, Rear, All '96-'02, All
V-12, No ESP
Original **43.99 ea.**
42-168M Meyle Aftermarket **44.99 ea.**

*ESP = Electronic Stability Program

Brake System



- 1. **42-061** Brake Fluid Cap, 1994-00
All Models From VIN #F102745 **22.99 ea.**
- 3. **43-018** Brake Reservoir Seal, 1994-00
3.99 ea.
- 4. **42-264** Brake Master Cylinder, 1994-00
All 6 & 8 Cyl. To VIN# F102744 **264.99 ea.**
- 4. **43-036** Brake Master Cylinder, 1994-00
All '94 To VIN# F110261 **179.99 ea.**
- 4. **43-102** Brake Master Cylinder, 1994-00
All From VIN# F110262 To '97 **135.99 ea.**
- 4. **43-103** Brake Master Cylinder, 1994-00
All Models '98-'00 Without ESP **304.99 ea.**
- 4. **43-104** Brake Master Cylinder, 1994-00
All Models '98-'00 With ESP **277.99 ea.**
- 5. **42-228** Seal Ring, Master Cyl To Booster,
1994-00 **7.99 ea.**
- 6. **43-017** Brake Booster, 1994-00
C220, C280 '94-'97 **379.99 ea.**
- 6. **43-105** Brake Booster, 1994-00
C230, C280 '98-'00 **549.99 ea.**
- 6. **43-106** Brake Booster, 1994-00
C36 **569.99 ea.**
- 6. **43-107** Brake Booster, 1994-00,
C43 **629.99 ea.**
- 13. **42-229** Brake Rotor, Front, 1994-00
C220
C280 '94-'95
C230 To VIN.# F647650 Or A545905
57.99 ea.
- 13. **42-232** Brake Rotor, Front, 1994-00
C230 From VIN.# F647651 Or A545906
48.99 ea.
- 13. **42-176** Brake Rotor, Front, 1994-00
C230 Kompressor
C280 '96-'00 **74.99 ea.**
- 13. **42-221** Brake Rotor, Front Left, 1994-00
C36 1995 **234.99 ea.**
- 13. **42-222** Brake Rotor, Front Right, 1994-00
C36 1995 **234.99 ea.**
- 13. **42-223** Brake Rotor, Front, 1994-00
C36 '96-'97 **92.99 ea.**
- 13. **42-224** Brake Rotor, Front Left, 1994-00
C43 **297.99 ea.**

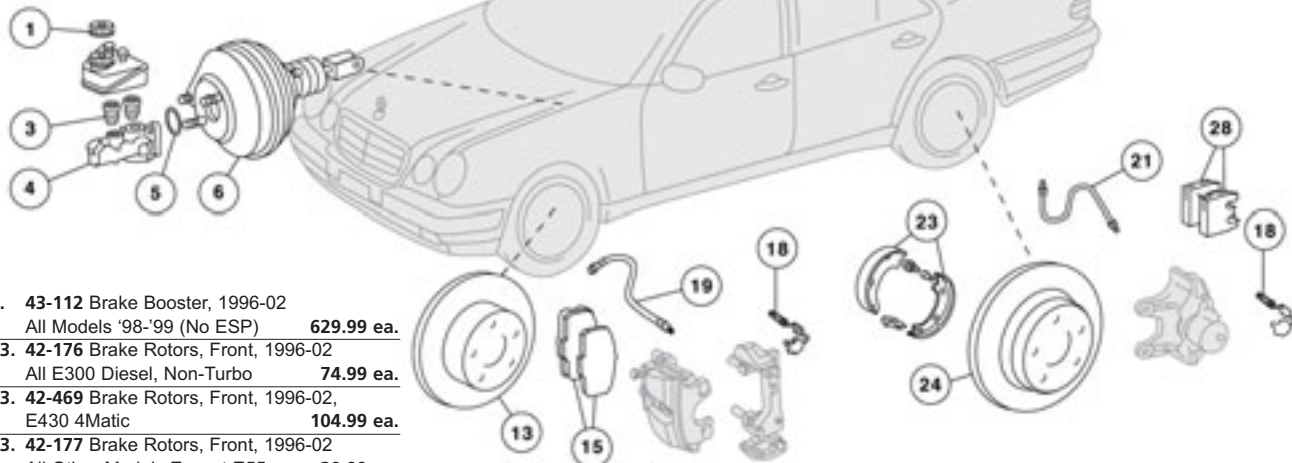
- 13. **42-225** Brake Rotor, Front Right, 1994-00
C43 **297.99 ea.**
- 15. **42-191** Brake Pad Set, 1994-00
C220, C230; C280 '94-'95 **84.99 set**
- 15. **42-187** Brake Pad Set, 1994-00
C230 Kompressor; C280 '96-'00 **67.99 set**
- 15. **42-102** Front Brake Pad Set, 1994-00, C36
Original **77.99 set**
42-102M Meyle Aftermarket **39.99 set**
- 15. **42-219** Brake Pad Set, 1994-00, C43
124.99 set
- 18. **54-001** Brake Sensor, Front (2 Req.),
1994-00 **0.99 ea.**
- 18. **42-220** Brake Sensor, Front, 1994-00
C43 **6.99 ea.**
- 18. **54-001** Brake Sensor, Rear (4 Req.),
1994-00 **0.99 ea.**
- 23. **42-045** Brake Shoe Set, Rear, 1994-00
24.99 ea.
- 24. **42-230** Brake Rotor, Rear, 1994-00
C220
C230
C280 '94-'95 **35.99 ea.**
- 24. **42-112** Rear Brake Rotor, 1994-00
C230 Kompressor
C280 '96-'00
Original **41.99 ea.**
42-112M Meyle Aftermarket **32.99 ea.**
- 24. **42-104** Brake Rotor, Rear C36 '95 **39.99 ea.**
- 24. **42-179** Brake Rotor,
Rear C36 '96-'98 **44.99 ea.**

- 24. **42-269** Brake Rotor, Rear, 1994-00 C43
69.99 ea.
- 28. **42-007** Brake Pads, Rear, 1994-00
C220 To VIN # F443892 (No ASR)
C280 '94-'95 (No ASR)
Original **32.99 ea.**
42-007M Meyle Aftermarket **27.99 ea.**
- 28. **42-009** Brake Pads, Rear, 1994-00
C220 To VIN # F443892 (With ASR)
C280 '94-'95 (With ASR) **49.99 ea.**
- 28. **42-233** Brake Pads, Rear, 1994-00
C220 From VIN # F443893, C230 **44.99 ea.**
- 28. **42-057** Brake Pads, Rear (2 Retaining Pin),
1994-00
C230 Kompressor To A478047, F576240
(2 Pin)
C280 '96 To A478047, F576240 (2 Pin)
C36 1995
Original **42.99 ea.**
42-057M Meyle Aftermarket **32.99 ea.**
- 28. **42-180** Brake Pads, Rear (1 Retaining Pin),
1994-00
C230 Kompressor From A478048, F576241
(1 Pin)
C280 From A478048, F576241 (1 Pin)
45.99 ea.
- 28. **42-181** Brake Pads, Rear, C36 1996 - On
43.99 ea.
- 28. **42-168** Rear Brake Pad Set, , 1994-00 C43
Original **43.99 set**
42-168M Meyle Aftermarket **44.99 set**

Brake System

- 1. **42-061** Brake Fluid Cap, 1996-02 **22.99 ea.**
- 3. **43-018** Brake Reservoir Seal, 1996-02,
All **3.99 ea.**
- 4. **43-113** Brake Master Cylinder, 1996-02
Diesels Non-Turbo **321.99 ea.**
- 4. **43-052** Brake Master Cylinder, 1996-02
E320 '96-'97, '97 E420 **164.99 ea.**
- 4. **42-287** Brake Master Cylinder, 1996-02
All E320 '98-'02, E430 '98-'02
E300D-Turbo **337.99 ea.**
- 4. **43-109** Brake Master Cylinder, 1996-02
E55 '00-'02 E430 4Matic **304.99 ea.**
- 5. **42-058** Seal Ring, Mast Cyl To Booster,
1996-02 All Models **7.99 ea.**
- 6. **43-110** Brake Booster, 1996-02,
E320 '96-'97 E420 **429.99 ea.**
- 6. **43-111** Brake Booster, 1996-02,
E300D, Non Turbo **409.99 ea.**

Brake System

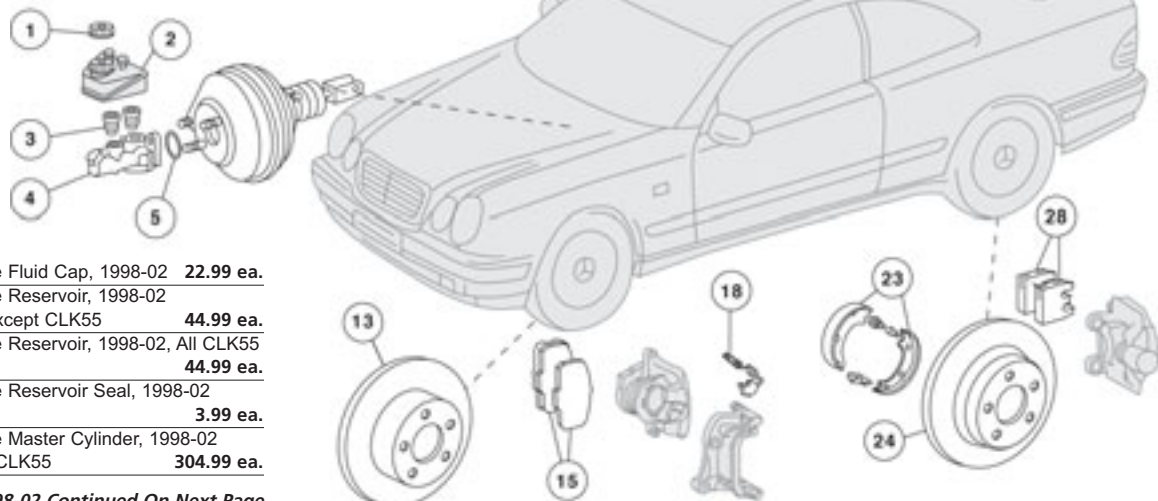


- 6. **43-112** Brake Booster, 1996-02
All Models '98-'99 (No ESP) **629.99 ea.**
- 13. **42-176** Brake Rotors, Front, 1996-02
All E300 Diesel, Non-Turbo **74.99 ea.**
- 13. **42-469** Brake Rotors, Front, 1996-02,
E430 4Matic **104.99 ea.**
- 13. **42-177** Brake Rotors, Front, 1996-02
All Other Models Except E55 **39.99 ea.**
- 13. **42-224** Brake Rotors, Left Front, 1996-02
E55 **297.99 ea.**
- 13. **42-225** Brake Rotors, Right Front, 1996-02
E55 **297.99 ea.**
- 15. **42-174** Brake Pad Set, Front, 1996-02
All E300 Diesel, Non-Turbo **124.99 ea.**
- 15. **42-175** Brake Pad Set, Front, 1996-02
All Others Except E55, E430 4Matic
78.99 ea.
- 15. **42-470** Brake Pad Set, Front, 1996-02,
E430 4Matic **271.99 ea.**
- 15. **42-219** Brake Pad Set, Front, 1996-02,
E55 **124.99 ea.**
- 18. **54-001** Brake Sensor, 1996-02,
All Except E55 E430 4Matic **0.99 ea.**
- 18. **42-220** Brake Sensor, 1996-02,
E55, E430 4Matic **6.99 ea.**
- 19. **42-286** Brake Hose, Front, 1996-02
All Models Except 4Matic **18.99 ea.**

- 21. **42-281** Brake Hose, Rear, 1996-02,
All Models **17.99 ea.**
- 23. **42-045** Brake Shoe Set, Rear, 1996-02,
All Models **24.99 ea.**
- 24. **42-112** Brake Rotor, Rear, 1996-02
E300D, NonT **41.99 ea.**
42-112M Meyle Aftermarket **32.99 ea.**
- 24. **42-190** Brake Rotor, Rear, 1996-02
All Wagons **45.99 ea.**
- 24. **42-269** Brake Rotor, 1996-02,
E55 & E430 4Matic **69.99 ea.**
- 24. **42-179** Brake Rotor, 1996-02,
All Other Models **44.99 ea.**
- 28. **42-057** Brake Pads Set, Rear, 1996-02
E300D Non-Turbo To VIN.# A379346
(2 PIN) **42.99 ea.**
Original **32.99 ea.**
42-057M Meyle Aftermarket

- 28. **42-180** Brake Pads Set, Rear, 1996-02
E300D Non-Turbo From VIN.# A379347,
X000001 (1 PIN) **45.99 ea.**
- 28. **42-181** Brake Pads Set, Rear, 1996-02
E300D Turbo To VIN.# A379346 (2 PIN)
E320, E420, E430 To VIN.# A379346
(2 PIN)
To VIN.# J036478 (2 PIN) **43.99 ea.**
- 28. **42-182** Brake Pads Set, Rear, 1996-02
E300D Turbo From VIN.# A379347,
X000001 (1 PIN)
E320, E420, E430 From VIN.# A379347,
X000001 (1 PIN) **49.99 ea.**
- 28. **42-168** Brake Pads, Rear, 1996-02,
All Wagons (Including 4-Matic); E55
Original **43.99 ea.**
42-168M Meyle Aftermarket **44.99 ea.**
- 28. **42-168** Brake Pads, Rear, 1996-02
E430 4Matic **43.99 ea.**

Brake System



- 1. **42-061** Brake Fluid Cap, 1998-02 **22.99 ea.**
- 2. **43-125** Brake Reservoir, 1998-02
All Models Except CLK55 **44.99 ea.**
- 2. **43-126** Brake Reservoir, 1998-02, All CLK55
44.99 ea.
- 3. **43-018** Brake Reservoir Seal, 1998-02
3.99 ea.
- 4. **43-109** Brake Master Cylinder, 1998-02
All CLK430, CLK55 **304.99 ea.**

1998-02 Continued On Next Page

1998-02 Continued

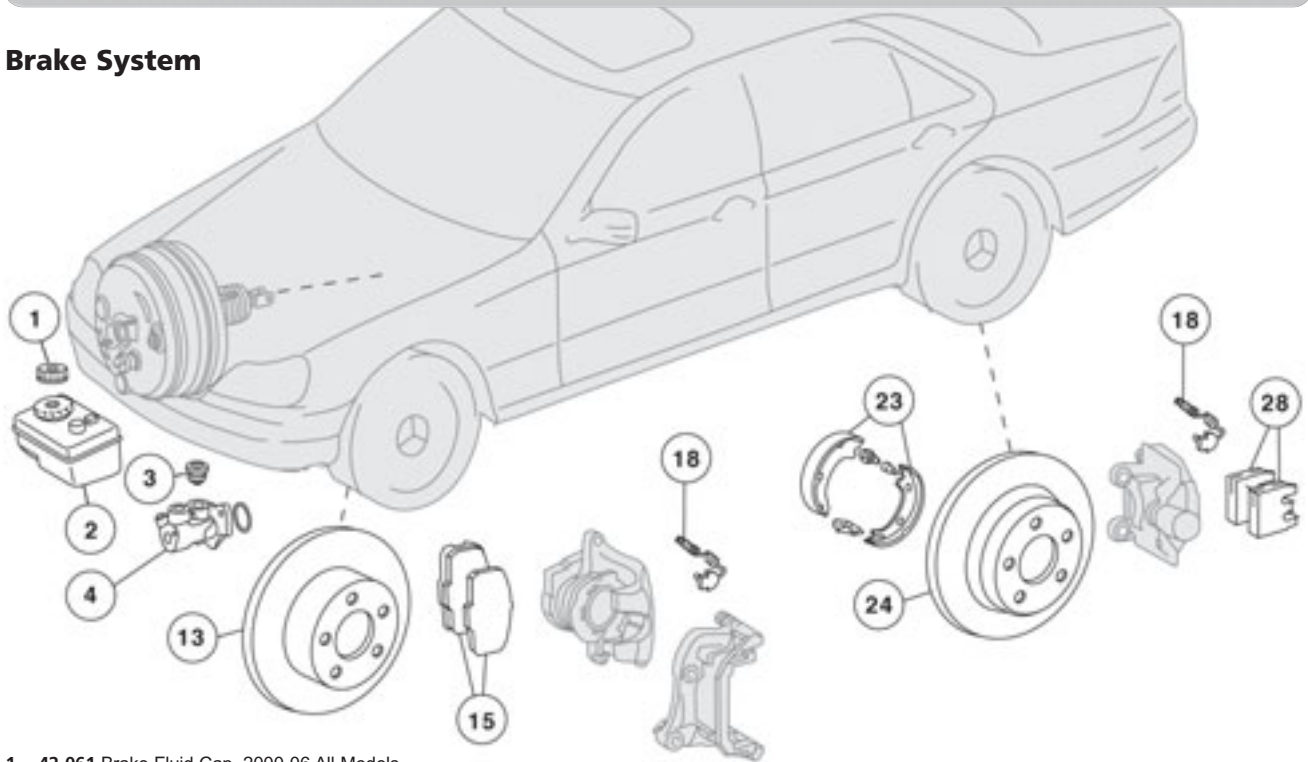
4.	43-103 Brake Master Cylinder, 1998-02 All CLK320 Without ESP*	304.99 ea.
4.	43-104 Brake Master Cylinder, 1998-02 All CLK320 With ESP*	277.99 ea.
5.	42-228 Seal Ring, 1998-02 Master Cyl To Booster	7.99 ea.
13.	42-177 Brake Rotor, Front, 1998-02 CLK320, CLK430	39.99 ea.
13.	42-224 Brake Rotor, Front Left, 1998-02 CLK55	297.99 ea.

13.	42-225 Brake Rotor, Front Right, 1998-02 CLK55	297.99 ea.
15.	42-175 Brake Pad Set, 1998-02 CLK320, CLK430	78.99 ea.
15.	42-219 Brake Pad Set, 1998-02, All CLK55	124.99 ea.
18.	54-001 Brake Sensor, 1998-02 Front (2 Req.)	0.99 ea.
18.	42-220 Brake Sensor, Front, 1998-02, CLK55 (2)	6.99 ea.
23.	42-045 Brake Shoe Set, Rear, 1998-02	24.99 ea.

24.	42-179 Brake Rotor, Rear, 1998-02 CLK320, CLK430	44.99 ea.
24.	42-269 Brake Rotor, Rear, 1998-02 CLK55	69.99 ea.
28.	42-168 Brake Pads, Rear, 1998-02 CLK320, CLK430 Thru 1999 (2 Pin), CLK55 Original	43.99 ea.
	42-168M Meyle Aftermarket	44.99 ea.
28.	42-182 Brake Pads, Rear, 1998-02 CLK320, CLK430 From 2000 (1 Pin)	49.99 ea.

*ESP = Electronic Stability Program

Brake System

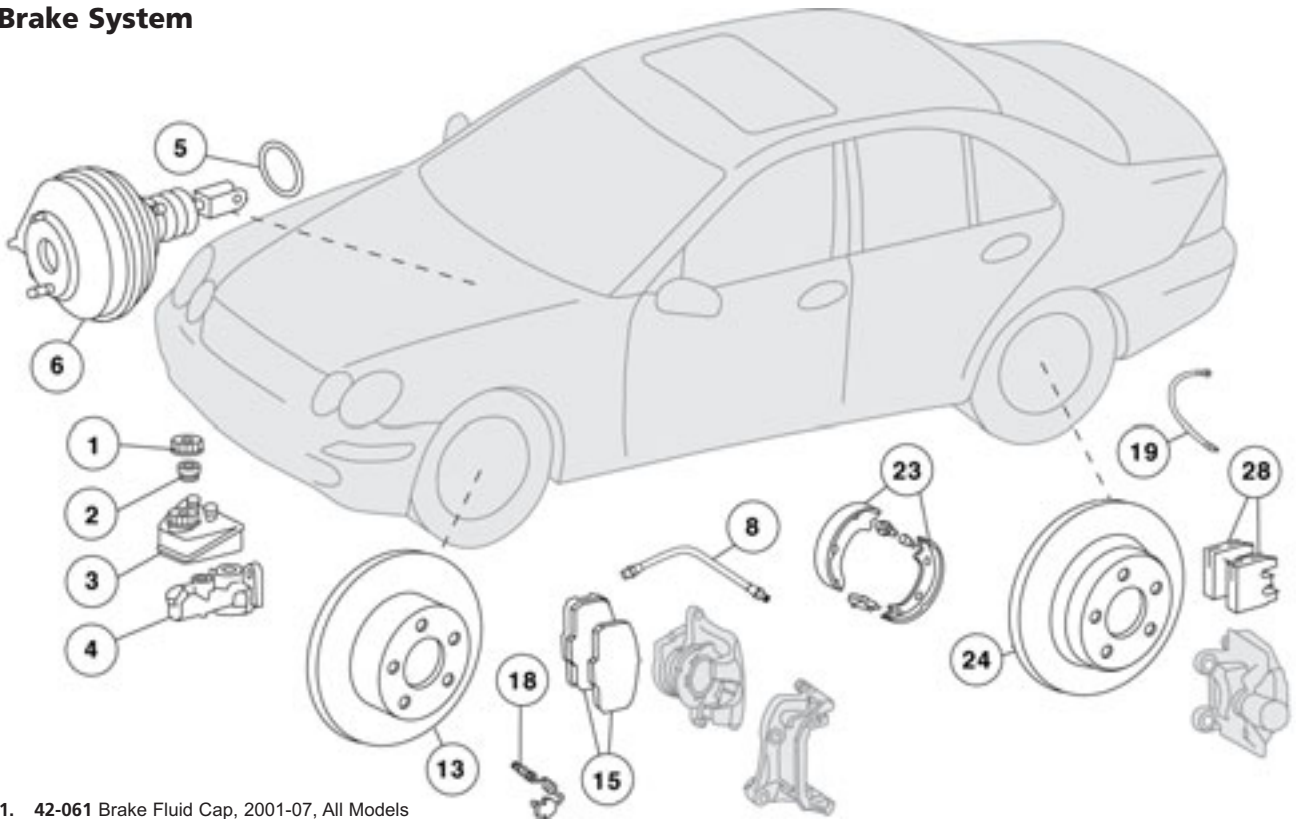


1.	42-061 Brake Fluid Cap, 2000-06 All Models	22.99 ea.
2.	42-298 Brake Master Cylinder Reservoir, See Web for Year/Model	44.99 ea.
3.	43-018 Brake Reservoir Seal, See Web for Year/Model	3.99 ea.
4.	42-297 Brake Master Cylinder, 2000-06 All Models	409.99 ea.
13.	42-275 Brake Rotor, Front (Drilled) 2000-02 S430, S500	115.99 ea.
13.	42-433 Brake Rotor, Front (Drilled) 2003-06 S350, S430, S500 (No 4Matic)	114.99 ea.
13.	42-500 Brake Rotor, Front (Drilled) 2000-06 S430/S500 (4Matic)	124.99 ea.
13.	42-434 Brake Rotor, Front (Drilled) 2001-02 S55	176.99 ea.
13.	42-493 Brake Rotor, Front (Drilled) 2003-06 S55	292.99 ea.
15.	42-478 Brake Pad Set, Front, 2000-06 S350	89.99 ea.

15.	42-272 Brake Pad Set, Front 2000-2002 All Models	74.99 ea.
15.	42-437 Brake Pad Set, Front 2003-06 S430, S500 (No 4Matic)	107.99 ea.
15.	42-489 Brake Pad Set, Front 2003-06 S600	124.99 ea.
15.	42-494 Brake Pad Set, Front 2003-06 S55	379.99 set
15.	42-471 Brake Pad Set, Front, All 4Matic See Web for Year/Model	107.99 set
18.	54-562 Brake Sensor, Front (2 Req.) No 4Matic See Web for Year/Model	2.99 ea.
18.	54-602 Brake Sensor, Front (2 Req.) All 4Matic See Web for Year/Model	4.99 ea.
18.	54-562 Brake Sensor, Rear (2 Req.) See Web for Year/Model	2.99 ea.
23.	42-492 Brake Shoe Set, Rear See Web for Year/Model	69.99 set
24.	42-274 Brake Rotor, Rear 2000-02 S430, S500	75.99 ea.

24.	42-436 Brake Rotor, Rear 2003-06 S350, S430, S500 (No 4Matic)	109.99 ea.
24.	42-435 Brake Rotor, Rear 2001-02 S55	94.99 ea.
24.	42-491 Brake Rotor, Rear 2003-06 S600 (No 4Matic)	124.99 ea.
24.	42-495 Brake Rotor, Rear, 2003-06 S55	134.99 ea.
24.	42-274 Brake Rotor, Rear, All 4Matic See Web for Year/Model	75.99 ea.
28.	42-273 Brake Pads, Rear 2000-02 All Models	62.99 ea.
28.	42-472 Brake Pads, Rear 2003-06 S350, S430, S500, 4Matic & Non 4Matic	101.99 ea.
28.	42-490 Brake Pads, Rear 2003-06 S600	81.99 ea.

Brake System



- 1. **42-061** Brake Fluid Cap, 2001-07, All Models
22.99 ea.
- 2. **43-124** Brake Reservoir Stainer, 2001-07 All
8.99 ea.
- 3. **43-123** Brake Reservoir, 2001-07, All Models
44.99 ea.
- 4. **43-122** Brake Master Cylinder, 2001-07
C230 Cpe/Sdn; C240 Sdn, No 4Matic
354.99 ea.
- 4. **43-121** Brake Master Cylinder, 2001-07
All Other Models Inc. 4Matic & Wagon
389.99 ea.
- 5. **42-058** Seal, Master Cyl. To Booster,
2001-07 All Models **7.99 ea.**
- 6. **43-120** Brake Vacuum Booster, 2001-07,
All Models **489.99 ea.**
- 8. **42-286** Front Brake Hose, 2001-07
All Models Except 4Matic, C350, C55
18.99 ea.
- 8. **42-488** Front Brake Hose, 2001-07,
All 4Matics **47.99 ea.**
- 13. **42-176** Front Brake Rotor, 2001-07
C230 Cpe All; C230 Sdn. '02-'03; C240 Sdn.
& Wgn, No 4Matic **74.99 ea.**
- 13. **42-483** Front Brake Rotor, 2001-07
C320 Sdn/Cpe/Wgn; C280, C350, No Sport
All 4Matic Sdn & Wgn. **87.99 ea.**
- 13. **42-484** Front Brake Rotor, 2001-07
C320 Sport Sdn; C230 Sdn. '04-'07
144.99 ea.
- 13. **42-485** Front Brake Rotor, 2001-07
C32, C55, C350 Sport Sdn. **144.99 ea.**
- 15. **42-476** Front Brake Pads, 2001-07
C320 Cpe, Sdn, Wgn; C280, C350, No Sport
All 4Matic Models **124.99 ea.**

- 15. **42-477** Front Brake Pads, 2001-07
C230 Cpe All; C230 Sdn '02-'03; C240 Sdn
& Wgn No 4Matic **19.99 ea.**
- 15. **42-478** Front Brake Pads, 2001-07
C320 Sport Sdn. C230 Sedan '04 To
VIN# A660226, F565688, R318317
89.99 ea.
- 15. **42-479** Front Brake Pads, 2001-07
C320 Sport Sdn. C230 Sedan From
VIN# A660227, F565689, R138318
118.99 ea.
- 15. **42-478** Front Brake Pads, 2001-07
C32, C55, C350 Sport Sd **89.99 ea.**
- 18. **54-562** Brake Wear Sensor, 2001-07
All Models, Front Or Rear **2.99 ea.**
- 19. **42-281** Rear Brake Hose, 2001-07,
All Models **17.99 ea.**
- 23. **42-487** Emergency Brake Shoe Kit, 2001-07
All Models **47.99 kit**

- 24. **42-112** Rear Brake Rotor, 2001-07
C230 Cpe All; C230 Sdn '02-'03; C240 Sdn,
No 4Matic
Original **41.99 ea.**
42-112M Meyle Aftermarket **32.99 ea.**
- 24. **42-179** Rear Brake Rotor, 2001-07
C320 Cpe/Sdn All; C230 Sport Sdn '04-'07;
C280, C350, All Wagons, All 4Matics
44.99 ea.
- 24. **42-269** Rear Brake Rotor, 2001-07,
C32, C55 **69.99 ea.**
- 28. **42-481** Rear Brake Pads, 2001-07
C230 Cpe All; C230 Sdn '02-'03; C240 Sdn.
No 4Matic **54.99 ea.**
- 28. **42-168** Rear Brake Pads, 2001-07
C240 Wagon; C230 Sedan '04-'07 **43.99 ea.**
- 28. **42-480** Rear Brake Pads, 2001-07
C320 Sdn/Cpe/Wgn; C280, C350
All 4Matic Sedans & Wagons **101.99 ea.**
- 28. **42-168** Rear Brake Pads, 2001-07,
C32, C55 **43.99 ea.**



Unsurpassed Technical Expertise

At Performance Products, we pride ourselves on having the largest team of technical experts in the business standing by to help you tech the products you buy from us.

