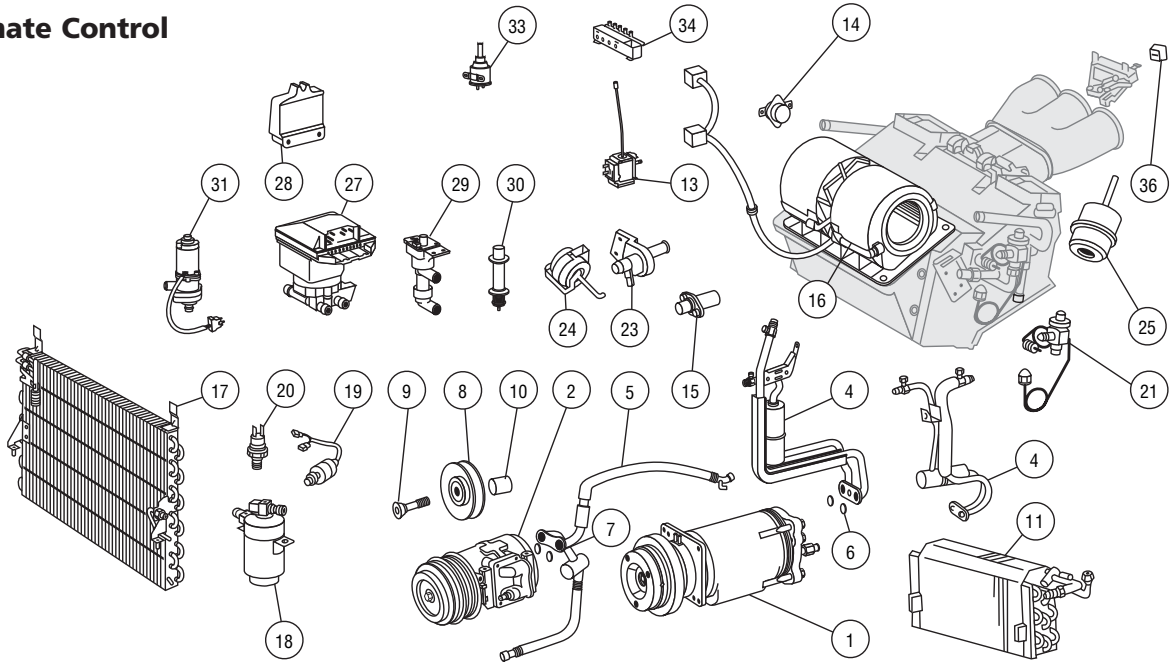
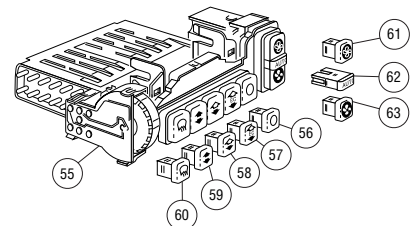
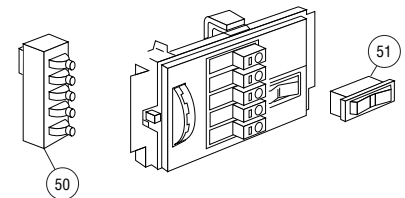
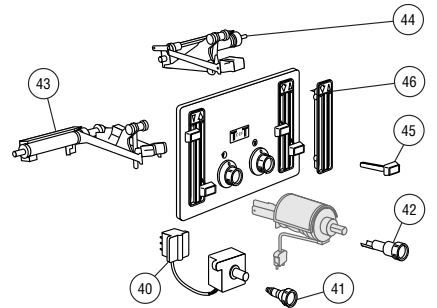


Climate Control



- 1. **13-053 AC Compressor, A6** 1972-89
All Models to '85 **575.99 ea.**
- 2. **13-042 AC Comp** 1972-89, Reman
Includes Clutch, 560SL,
Core Charge 60.00 **387.99 ea.**
- 4. **13-183 AC Manifold Hose** 1972-89
450SL/SLC To ENG# 028923 **439.99 ea.**
- 4. **13-087 AC Manifold Hose** 1972-89
450SL/SLC From ENG#
117.982.12.028924 To '80 **315.99 ea.**
- 4. **13-102 AC Manifold Hose**, 1972-89
380SL, 380SLC.
Note: 380SL From '82 Thru Eng# 018044
Must Also Buy 1) 83-373 O-Ring Seal
174.99 ea.
- 5. **13-085 AC Manifold Hose** 1972-89
560SL **63.99 ea.**
- 6. **83-155 Compressor Seal** 1972-89
All Models To '85 (2 Required) **1.99 ea.**
- 7. **83-186 Compressor Seal** 1972-89
560SL (4 Required) **1.99 ea.**
- 8. **13-001 AC Idler Pulley** 1972-89
All Models To '85 **43.99 ea.**
- 9. **13-009 AC Idler Pulley Bolt** 1972-89
All Models To '85 **13.99 ea.**
- 10. **13-008 AC Idler Pulley Spacer** 1972-89
All Models To '85 **8.99 ea.**
- 11. **83-442 Evaporator** 1972-89
All Models **184.99 ea.**
- 13. **83-216 ETR Switch** 1972-89
All Models To '77 **344.99 ea.**
- 13. **83-255 ETR Switch** 1972-89
All Models To '78 **39.99 ea.**
- 14. **82-310 Diode** 1972-89
All Models '78 To '81 **179.99 ea.**
- 15. **83-253 Ambient Temp. Sensor, Firewall**
1972-89 All Models '78 To '81 **59.99 ea.**
- 16. **83-217 Blower Motor** 1972-89
450SL To '77, 450SLC To '77 **499.99 ea.**

- 17. **83-419 AC Condenser** 1972-89
450SL To VIN# 021762 ('74)
450SLC To VIN# 008207 ('74) **639.99 ea.**
- 17. **83-417 AC Condenser** 1972-89
450SL From VIN# 021763 ('75)
450SLC From VIN# 008208 ('75) **428.99 ea.**
- 17. **83-219 AC Condenser** 1972-89
380SL, 380SLC **337.99 ea.**
- 17. **83-220 AC Condenser** 1972-89
560SL **317.99 ea.**
- 18. **83-252 Receiver Drier** 1972-89 450SL
To VIN# 021762 ('74) also From VIN# 027715
To VIN# 030252
450SLC To VIN# 008207 ('74)
From VIN# 010966
To VIN# 012231 **25.99 ea.**
- 18. **83-222 Receiver Drier** 1972-89
450SL From VIN# 021763 ('75)
To VIN# 027714 also
From VIN# 030254 To VIN# 035459
450SLC From VIN# 008208 ('75)
To VIN# 010965 also
From VIN# 012232 To VIN# 015124
18.99 ea.
- 18. **83-223 Receiver Drier** 1972-89
450SL From VIN# 035460
450SLC From VIN# 015125
380SL, 380SLC **15.55 ea.**
- 18. **83-224 Receiver Drier** 1972-89
560SL **17.99 ea.**
- 19. **83-011 Auxiliary Fan Temp. Switch** 1972-89
All Models To '77 **25.99 ea.**
- 19. **83-012 Auxiliary Fan Temp. Switch** 1972-89
All Models To '78 **19.99 ea.**
- 20. **83-014 Freon Pressure Switch** 1972-89
All Models **10.99 ea.**



- 21. **83-095 Expansion Valve** 1972-89
All Models **42.20 ea.**
- 23. **83-418 Heater Valve** 1972-89
450SL To VIN# 021762 ('74)
450SLC To VIN# 008207 ('74) **59.99 ea.**

1972-89 450SL / SLC, 380SL / SLC, 560SL

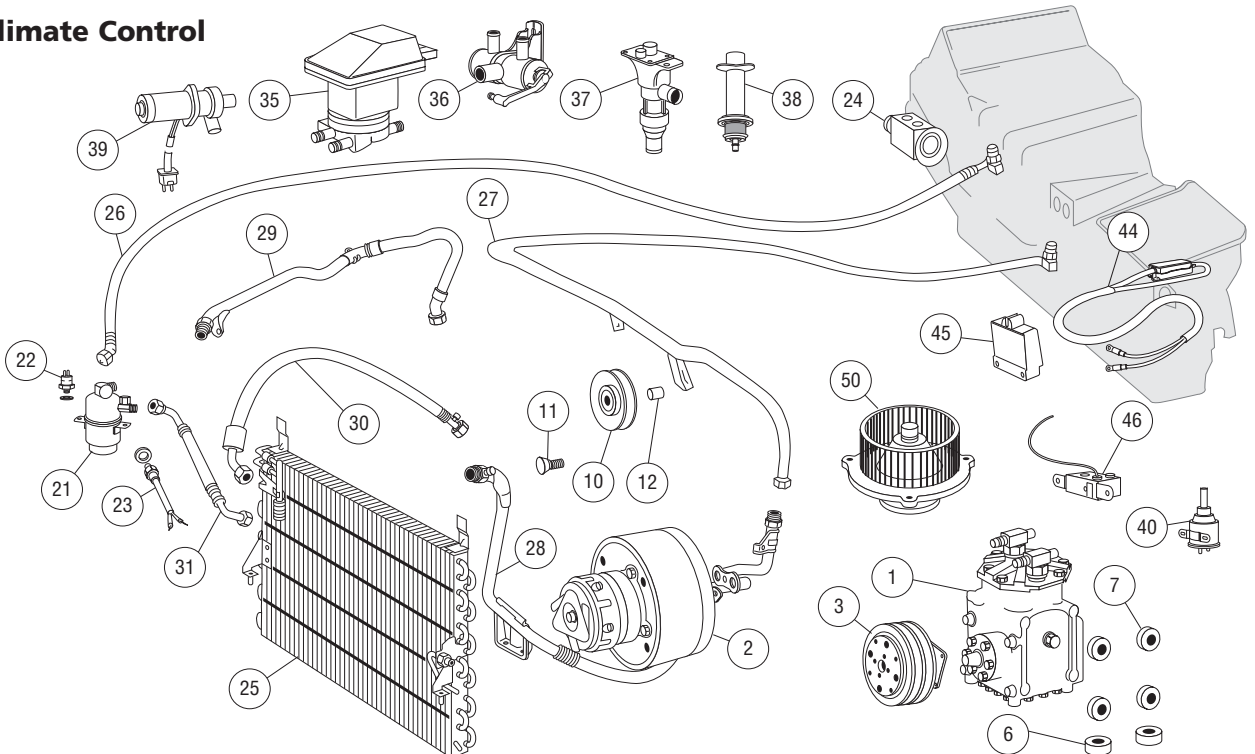
107 Chassis

- | | | |
|---|---|---|
| <p>23. 83-226 Heater Valve 1972-89
450SL From '75 To '77
450SLC From '75 To '77 32.99 ea.</p> <p>24. 80-057 Vacuum Element, Heater Core
1972-89, 450SL To VIN# 021762 ('74)
450SLC To VIN# 008207 ('74) 94.99 ea.</p> <p>25. 80-056 Vacuum Element, Defrost Flap
1972-89, All Models 62.99 ea.</p> <p>27. 83-018 Climate Control Servo 1972-89
All Models From '78 To '81 1899.99 ea.</p> <p>27. 83-500 Digital AC Servo Upgrade Kit
See website for year/model 699.99 kit</p> <p>28. 83-065 Climate Control Amplifier 1972-89
All Models From '78 To '81 109.99 ea.</p> <p>29. 83-225 Mono Valve 1972-89
380SL From '82, 560SL 317.99 ea.</p> <p>30. 83-064 Mono Valve Repair Kit 1972-89
380SL From '82, 560SL 64.99 kit</p> <p>31. 83-066 Auxiliary Water Pump 1972-89
All Models From '78 119.99 ea.</p> <p>33. 54-240 Vacuum Switch-Over Valve 1972-89
All Models From '78 To '81 39.99 ea.</p> <p>33. 80-037 Vacuum Switch-Over Valve 1972-89
380SL From '82 65.99 ea.</p> <p>34. 83-310 Vac Switch-Over Valve 1972-89
560SL 184.99 ea.</p> | <p>36. 83-249 Knob, Center Fresh Air Vent 1972-89
All Models 8.99 ea.</p> <p>40. 82-255 Blower Switch 1972-89
450SL To VIN# 015860
450SLC To VIN# 004834 186.99 ea.</p> <p>40. 82-257 Blower Switch 1972-89
450SL From VIN# 015861 To VIN# 043357 ('77)
450SLC From VIN# 004835 To VIN# 019097 ('77) 161.99 ea.</p> <p>41. 83-214 Blower Knob 1972-89
All Models To '77 41.99 ea.</p> <p>42. 83-413 Temperature Knob 1972-89
All Models From '75 To '77 167.99 ea.</p> <p>43. 83-228 Heater Control Lever, Left 1972-89
All Models From '75 To '77 214.99 ea.</p> <p>44. 83-229 Heater Control Lever, Right 1972-89
All Models From '75 To '77 317.99 ea.</p> <p>46. 83-250 Face Plate, Left 1972-89
All Models From '75 To '77 42.99 ea.</p> <p>46. 83-251 Face Plate, Right 1972-89
All Models From '75 To '77 42.99 ea.</p> <p>51. 83-010 AC Compressor Switch 1972-89
All Models From '78 To '81 49.99 ea.</p> <p>55. 83-227 Push Button Control Unit 1972-89,
New, 380SL From '82 484.99 ea.</p> | <p>55. 83-227R Push Button Control Unit 1972-89,
Rebuilt, 380SL From '82
Core Charge 50.00 379.99 ea.</p> <p>55. 83-282 Push Button Control Unit 1972-89,
New, 560SL 694.99 ea.</p> <p>55. 83-282R Push Button Control Unit 1972-89,
Reman, 560SL
Core Charge 200.00 249.99 ea.</p> <p>56. 83-001 "Off Button" 1972-89
All Models 15.99 ea.</p> <p>57. 83-002 "Compressor Off" Button 1972-89
See web for year/model 17.99 ea.</p> <p>58. 83-003 "Compressor On" Button 1972-89
See web for year/model 17.99 ea.</p> <p>59. 83-004 "Overall Ventilation" Button 1972-89
See web for year/model 17.99 ea.</p> <p>60. 83-005 "Defrost" Button 1972-89
All Models 12.99 ea.</p> <p>61. 83-006 "Maximum Blower" Button 1972-89
See web for year/model 23.99 ea.</p> <p>62. 83-007 "Automatic Blower" Button 1972-89
See web for year/model 16.99 ea.</p> <p>63. 83-008 "Minimum Blower" Button 1972-89
See web for year/model 23.99 ea.</p> |
|---|---|---|

1977-85 230, 240D, 280E, 280CE, 300CD, 300D, 300TD, 300 Turbo

123 Chassis

Climate Control



- | | | |
|--|--|--|
| <p>1. 13-003 Piston Compressor 1977-85
(York) 429.99 ea.</p> <p>2. 13-002 Rotary Compressor 1977-85
From '81 347.99 ea.</p> <p>3. 13-006 AC Clutch For 13-003, 1977-85
See web for year/model 154.99 ea.</p> | <p>3. 13-006A AC Clutch For 13-003, 1977-85
Single Groove - 280E, CE 196.99 ea.</p> <p>5. 13-059 Compressor Mounting Kit, (York)
1977-85, See web for year/model 197.99 ea.</p> <p>6. 13-004 Comp Mount Grom, 1977-85
Thick, 2 Req 37.99 ea.</p> | <p>7. 13-005 Comp Mount Grom, 1977-85
Thin, 10 Req 9.99 ea.</p> <p>10. 13-001 AC Idler Pulley 1977-85
See web for year/model 43.99 ea.</p> |
|--|--|--|

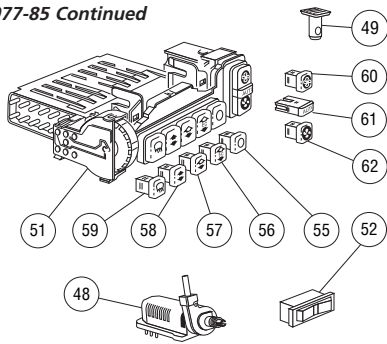
1977-85 Continued On Next Page

Air Conditioning & Heater

1977-85 230, 240D, 280E, 280CE, 300CD, 300D, 300TD, 300 Turbo

123 Chassis

1977-85 Continued



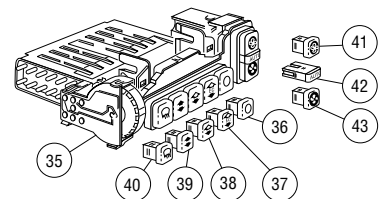
- 11. **13-009** AC Pulley Bolt 1977-85
See web for year/model **13.99 ea.**
- 12. **13-008** AC Pulley Spacer 1977-85
See web for year/model **8.99 ea.**
- 21. **83-016** Receiver Dryer 1977-85
All '77 Models Must Also Order 83-014
19.70 ea.
- 22. **83-009** Freon Pressure Switch 1977-85
Female Connection
See web for year/model **12.99 ea.**
- 22. **83-014** Freon Pressure Switch 1977-85
Male Connection
See web for year/model **10.99 ea.**
- 23. **83-011** Auxiliary Fan Temp Switch 1977-85
123 Models **25.99 ea.**
- 24. **83-068** Expansion Valve 1977-85
To Mid 1980
230, 280E To VIN# 070365
240D To VIN# 169394
300D To VIN# 181830
300TD To VIN# 015279
280CE To VIN# 018750
300CD To VIN# 005563 **32.99 ea.**
- 24. **83-069** Expansion Valve 1977-85
From Mid 1980
All Turbo Models &:
280E From VIN# 070366
240D From VIN# 169395
300D From VIN# 181831
300TD From VIN# 015280
280CE From VIN# 018751
300CD From VIN# 005564 **29.99 ea.**
- 25. **83-146** AC Condenser 1977-85
All 123 Turbos; 240D From '82
300CD From VIN# 003812 (Mid '79)
300D From VIN# 133346 (Mid '79)
300TD Turbo & Nonturbo **203.99 ea.**
- 26. **83-283** AC Hose 1977-85
Expansion Valve To Receiver Dryer
See web for year/model **54.99 ea.**
- 27. **83-430** AC Hose 1977-85
'82 To '84
Expansion Valve To Compressor **161.99 ea.**
- 27. **83-559** AC Hose 1977-85
'85, Expansion Valve To Compressor
287.99 ea.
- 28. **13-031** AC Manifold Hose 1977-85,
No Turbos, 240D From ENG# 10-086379
240D From ENG# 12-027799
300D, CD, TD From ENG# 067786 **469.99 ea.**
- 28. **13-029** AC Manifold Hose 1977-85
Turbos To '85, Federal
Turbos, '84 California **397.99 ea.**

- 28. **13-030** AC Manifold Hose 1977-85
Turbos, '85 California **364.99 ea.**
- 29. **13-052** AC Manifold Hose, Upper 1977-85
240D From '82
300D, CD, TD From ENG# 126949
Turbos To '85, Federal
Turbos, '84 California **49.99 ea.**
- 29. **13-182** AC Manifold Hose, Upper 1977-85
Turbos, '85 California **129.99 ea.**
- 30. **83-144** Hose – Comp To Condenser 1977-85
240D From '81
300D From '81; 300D Turbo **39.99 ea.**
- 31. **83-325** Hose – Condenser To Drier 1977-85
See web for year/model **36.99 ea.**
- AC Line O-Rings 1977-85
See web for year/model
- 83-155** Comp To Manifold Hose (2 Req)
1.99 ea.
- 13-038** Comp To Manifold Hose Seal Kit
17.99 kit
- 83-147** Drier (2 Required) **1.99 ea.**
- O-Rings For Expansion Valve 83-068 / 83-069
1977-85, See web for year/model
- 83-147** QTY(1) **1.99 ea.**
- 83-149** QTY(2) **1.99 ea.**
- 83-152** QTY(1) **1.99 ea.**
- 35. **83-019** AC Servo 1977-85, New
All Models To '80, Except 240D **1999.99 ea.**
- 35. **83-500** Digital AC Servo, Upgrade Kit
1977-85 (See Website) **699.99 kit**
- 36. **83-097** Heater Valve, 1977-85
230, 240D Models **61.99 ea.**
- 37. **83-067** Mono Valve 1977-85
300 Models From '81 **314.99 ea.**
- 38. **83-064** Mono Valve Repair Kit 1977-85
Contains Plunger Chamber & Seal
See web for year/model **64.99 kit**
- 39. **83-066** Auxiliary Water Pump 1977-85
See web for year/model **119.99 ea.**
- 40. **54-240** Switch-Over Valve 1977-85
3 Way, Multi-Purpose
See web for year/model **39.99 ea.**
- 44. **54-280** Fuse Box/Blower Repair Kit 1977-85
If Your 16 Amp AC Blower Motor Fuse Has
Melted Or Blown, Replace It With This 30
Amp Mercedes® Recommended Repair Kit!
See web for year/model **43.99 kit**
- 45. **83-065** Climate Control Amp 1977-85
All Models To '80, Except 240D **109.99 ea.**
- 46. **83-255** ETR Switch 1977-85
All Models **39.99 ea.**
- 48. **83-190** Heater Blower Switch 1977-85
230, 240D **83.99 ea.**
- 49. **83-277** Ambient Temperature Sensor 1977-85
All Models To '80 **43.99 ea.**
- 49. **83-278** Ambient Temperature Sensor 1977-85
All Models From '80 **35.99 ea.**

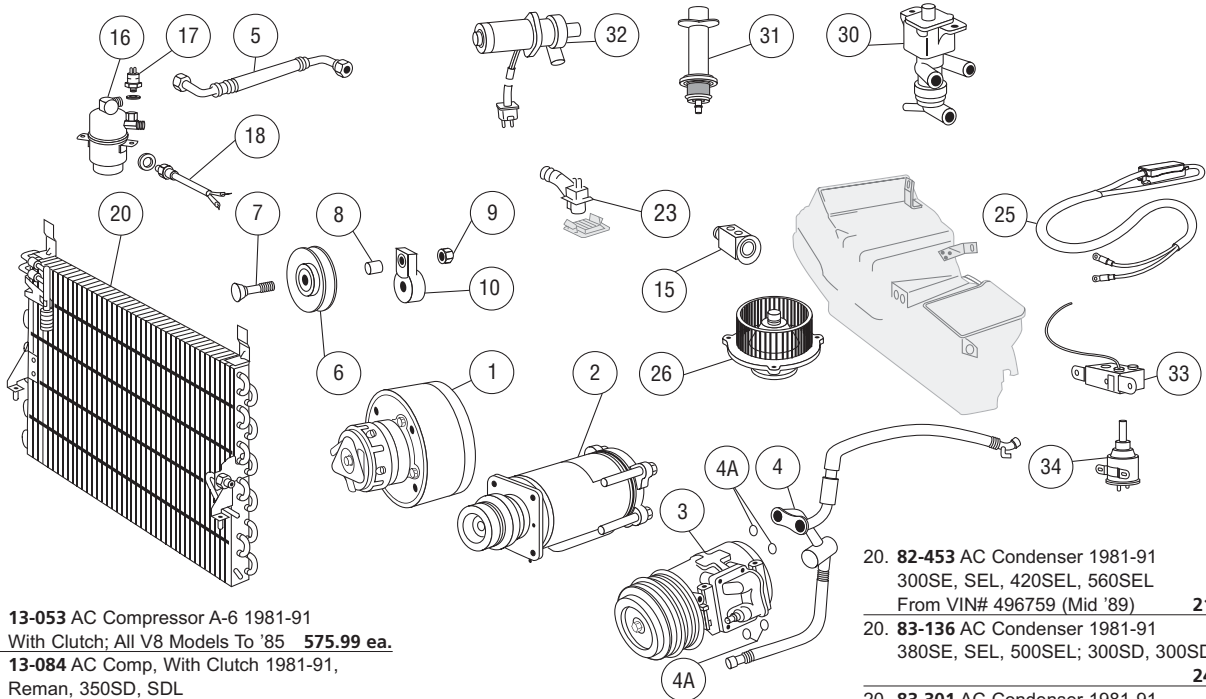
- 50. **82-114** Blower Motor, 1977-85 New
Non-Turbo Models
230 To VIN# 108179 (Mid '79)
240D To VIN# 087738 (Mid '79)
280E To VIN# 045304 (Mid '79)
280CE To VIN# 011166 (Mid '79)
300D To VIN# 110886 (Mid '79)
300CD To VIN# 002973 (Mid '79)
300TD To VIN# 001795 (Mid '79) **499.99 ea.**
- 50. **82-102** Blower Motor, 1977-85 New
Non-Turbo Models
230 From VIN# 108180 (Mid '79) To #159737
240D From VIN# 087739 (Mid '79) To
#153771 (mid '80)
280E From VIN# 045305 (Mid '79) To #071040
280CE From VIN# 011167 (Mid '79) To #021199
300D From VIN# 110887 (Mid '79) To
#168000 (mid '80)
300CD From VIN# 002974 (Mid '79) To '81
300TD From VIN# 001796 (Mid '79) To '81
459.99 ea.
- 50. **82-026** Blower Motor, 1977-85 New
All Turbo Models
240D From VIN# 153772 (Mid '80) To
207386 (Mid '80)
300D From VIN# 168001 (Mid '80)
280E From VIN# 071041 (Mid '80)
280CE From VIN# 021200 ('81)
300CD From '81; 300TD From '81 **609.99 ea.**
- 50. **82-116** Blower Motor, 1977-85 New
240D From VIN# 207387 (Mid '80) **431.99 ea.**
- 51. **83-070** AC Switch Assembly, 1977-85 New
123 Models From '81 **964.99 ea.**
- 51. **83-070R** AC Switch Assembly-Rebuilt
1977-85, 123 Models From '81
Core Charge 50.00 **169.99 ea.**
- 52. **83-010** On-Off Compressor Switch 1977-85
123 Models To '80
280E To VIN# 080148, # 080210 CA ('80)
280CE To VIN# 021155, # 021191 CA ('80)
49.99 ea.
- 55. **83-001** "Off" Button 1977-85
All Models **15.99 ea.**
- 56. **83-002** "Compressor Off" Button 1977-85
See web for year/model **17.99 ea.**
- 57. **83-003** "Compressor On" Button 1977-85
See web for year/model **17.99 ea.**
- 58. **83-004** "Overall Ventilation" Button 1977-85
See web for year/model **17.99 ea.**
- 59. **83-005** "Defrost" Button 1977-85
See web for year/model **12.99 ea.**
- 60. **83-006** "Maximum Blower" Button 1977-85
See web for year/model **23.99 ea.**
- 61. **83-007** "Automatic Blower" Button 1977-85
See web for year/model **16.99 ea.**
- 62. **83-008** "Minimum Blower" Button 1977-85
See web for year/model **23.99 ea.**

1981-91 300SE / SEL, 300SD / SDL, 350SD / SDL, 280SE / SEC / SEL... 126 Chassis

- 1. **13-002** AC Compressor W/Clutch (R-4)
1981-91, 300SD **347.99 ea.**
- 83-155** R-4 Compressor AC O-Ring 1981-91
(2 Required) Manifold Hose To Compressor.
All Models To '85 With An R4 Or A6
Compressor
See web for year/model **1.99 ea.**



Climate Control



- | | | |
|---|--|---|
| 2. 13-053 AC Compressor A-6 1981-91
With Clutch; All V8 Models To '85 575.99 ea. | 6. 13-001 AC Idler Pulley 1981-91
All Models Except 300SDL, 350SD, SDL 43.99 ea. | 20. 82-453 AC Condenser 1981-91
300SE, SEL, 420SEL, 560SEL
From VIN# 496759 (Mid '89) 213.99 ea. |
| 3. 13-084 AC Comp, With Clutch 1981-91,
Reman, 350SD, SDL
Core Charge 66.00 399.99 ea. | 7. 13-009 AC Pulley Bolt 1981-91
All Models Except 300SDL, 350SD, SDL 13.99 ea. | 20. 83-136 AC Condenser 1981-91
380SE, SEL, 500SEL; 300SD, 300SDL 249.99 ea. |
| 3. 13-036 AC Comp, With Clutch 1981-91,
Reman, 300SDL
300SE, SEL To ENG# 098026
Core Charge 66.00 319.99 ea. | 8. 13-008 AC Pulley Spacer 1981-91
All Models Except 300SDL, 350SD, SDL 8.99 ea. | 20. 83-301 AC Condenser 1981-91
380SEC, 500SEC 569.99 ea. |
| 3. 13-084 AC Comp, With Clutch 1981-91,
Reman, 300SE, SEL From ENG# 098027
Core Charge 66.00 399.99 ea. | 9. 13-014 AC Pulley Nut 1981-91
300SD 1.99 ea. | 20. 83-447 AC Condenser 1981-91
560SEC 629.99 ea. |
| 3. 13-042 AC Com, With Clutch 1981-91,
Reman, 420SEL, 560SEL, 560SEC
Core Charge 60.00 387.99 ea. | 10. 13-007 AC Pulley Bracket 1981-91
300SD 55.99 ea. | 23. 83-178 Temperature Sensor 1981-91
'81 To '85 43.99 ea. |
| 4A. 83-186 Compressor AC O-Ring 1981-91
(4 Required) Manifold Hose To Compressor
All Models From '86 1.99 ea. | 15. 83-069 Expansion Valve 1981-91
Block Type, All Models
(Req O-Rings [1] 83-147, [1] 83-149,
[2] 83-152) 29.99 ea. | 23. 83-177 Temperature Sensor 1981-91
Interior Sensor At Headliner
All Models From '86 33.99 ea. |
| 4. 13-028 AC Manifold Hose 1981-91
300SD 120.99 ea. | Expansion Valve O-Ring 1981-91
(See web for year/model)
83-147 (1 Required) 1.99 ea.
83-149 (1 Required) 1.99 ea.
83-152 (2 Required) 1.99 ea. | 25. 54-280 Fuse Box/Blower Repair Kit 1981-91
See web for year/model
If Your 16A ACC Blower Motor Fuse Has
Melted Or Blown, Replace It With This 30A
Mercedes-Benz® Recommended Repair Kit 43.99 kit |
| 4. 13-070 AC Manifold Hose 1981-91
All V8 Models To '85 107.99 ea. | 16. 83-017 Receiver Drier 1981-91
All Models Thru '85 Must Order 83-012 Aux
Fan Switch Also (Requires O-Rings
[2] 83-147) 24.99 ea. | 26. 82-101 Blower Motor 1981-91
All Models Except 560SEC 259.99 ea. |
| 4. 13-076 AC Manifold Hose 1981-91
All V8 Models From '86 459.99 ea. | 17. 83-014 Freon Pressure Switch 1981-91
See web for year/model 10.99 ea. | 26. 82-397 Blower Motor W/O Fan Blade 1981-91
All Models Except 560SEC 129.99 ea. |
| 4. 13-074 AC Manifold Hose 1981-91
300SDL 1089.99 ea. | 18. 83-012 Auxiliary Fan Switch 1981-91
See web for year/model 19.99 ea. | 26. 82-450 Blower Motor 1981-91
All 560SEC Models 354.99 ea. |
| 4. 13-040 AC Manifold Hose 1981-91
300SE, SEL To ENG# 098026 739.99 ea. | 20. 82-454 AC Condenser 1981-91
350SD, SDL 187.99 ea. | 30. 83-096 Mono Valve 1981-91
Note: Not For Use With Heated Windshield
300SD To VIN# 012843 (Mid '81)
380SEC To VIN# 000422 (Mid '82)
380SEL To VIN# 023557 (Mid '82) 219.99 ea. |
| 4. 13-075 AC Manifold Hose 1981-91
300SE, SEL From ENG# 098027 339.99 ea. | 20. 82-452 AC Condenser 1981-91
300SE, SEL, 420SEL, 560SEL
To VIN# 496758 (Mid '89) 225.99 ea. | 30. 83-094 Mono Valve 1981-91
Note: For Use With Heated Windshield
All Models From '82
300SD From VIN# 012844 (Mid '81)
380SEC From VIN# 000423 (Mid '82)
380SEL From VIN# 023558 (Mid '82) 267.99 ea. |
| 4. 13-077 AC Manifold Hose 1981-91
350SD, SDL 699.99 ea. | | 31. 83-064 Mono Valve Repair Kit 1981-91
See web for year/model
For Heater Solenoid Valve, As Needed 64.99 ea. |
| 5. 83-300 AC Hose Condenser To Drier 1981-91
All Sedans From 1981-85
& 300SDL, 350SD/SDL 1986-91 47.99 ea. | | |
| 5. 83-459 AC Hose Condenser To Drier 1981-91
All Models '86-On
Except Diesels & Coupes 33.99 ea. | | |
| 5. 83-557 AC Hose Condenser To Drier 1981-91
380SEC, 500SEC 104.99 ea. | | |
| 5. 83-558 AC Hose Condenser To Drier 1981-91
560SEC 33.99 ea. | | |

1981-91 Continued On Next Page

Air Conditioning & Heater

1981-91 300SE / SEL, 300SD, 350SD, 380SL / SEL, 420SEL, 500SEL, 560SEL

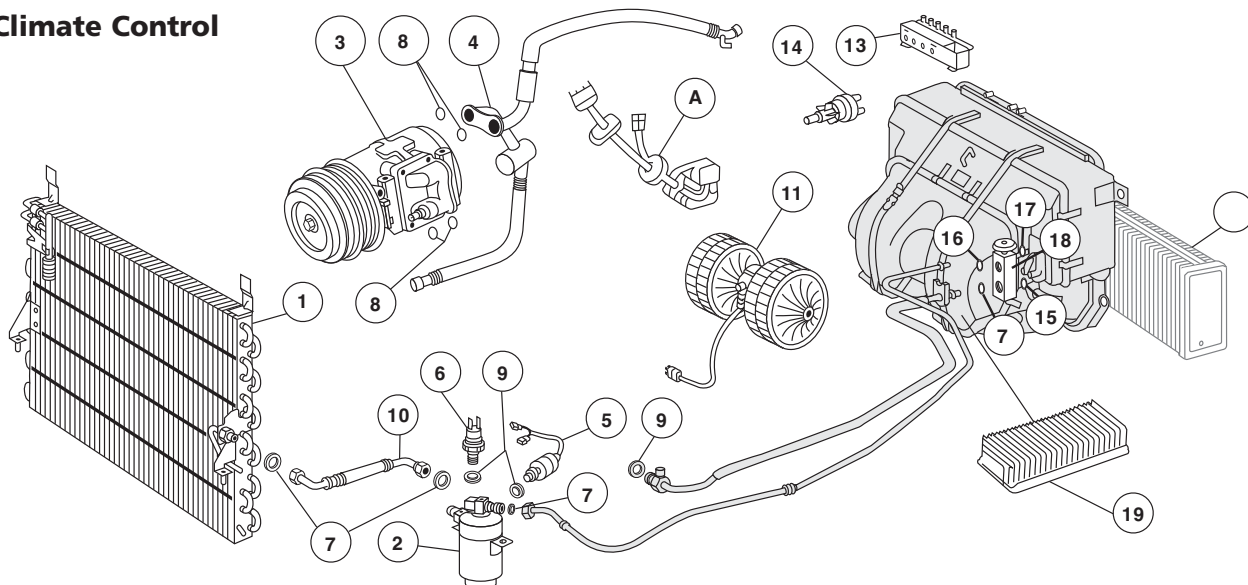
126 Chassis

1981-91 Continued

32. 83-066 Auxiliary Water Pump 1981-91 For Climate Control, All Models	119.99 ea.	35. 83-317R AC Switch Assembly 1981-91, Reman, '86 To '87 Models Core Charge 50.00	241.99 ea.	39. 83-004 "Overall Ventilation" Button 1981-91 See web for year/model	17.99 ea.
33. 83-255 E.T.R. Switch 1981-91 All Models Thru '84	39.99 ea.	35. 83-133 AC Switch Assembly, 1981-91 New Models from '88	999.99 ea.	40. 83-005 "Defrost" Button 1981-91 See web for year/model	12.99 ea.
34. 54-240 Switch-Over Valve 1981-91 3 Way, Multi-Purpose See web for year/model	39.99 ea.	35. 83-133R AC Switch Assembly 1981-91, Reman, Models from '88 Core Charge 61.00	404.99 ea.	41. 83-006 "Maximum Blower" Button 1981-91 See web for year/model	23.99 ea.
35. 83-071 AC Switch Assembly, 1981-91 New '81 To '85 Models	629.99 ea.	36. 83-001 "Off" Button 1981-91 To '85	15.99 ea.	41. 83-175 "Maximum Blower" Button 1981-91 '86-On	17.99 ea.
35. 83-071R AC Switch Assembly 1981-91, Reman, '81 To '85 Models Core Charge 175.00	239.99 ea.	36. 83-158 "Off" Button 1981-91 '86-On	17.99 ea.	42. 83-007 "Automatic Blower" Button 1981-91 See web for year/model	16.99 ea.
35. 83-317 AC Switch Assembly, 1981-91 New '86 To '87 Models	511.99 ea.	37. 83-002 "Compressor Off" Button 1981-91 See web for year/model	17.99 ea.	42. 83-191 "Automatic Blower" Button 1981-91 '86-On	17.99 ea.
		38. 83-003 "Compressor On" Button 1981-91 See web for year/model	17.99 ea.	43. 83-008 "Minimum Blower" Button 1981-91 See web for year/model	23.99 ea.
				43. 83-212 "Minimum Blower" Button 1981-91 '86-On	17.99 ea.

1986-95 260E / 300E2.6, 300D2.5, 300E2.8, 300E / E320, 300CE, 300TD, 300TE, 400E / E420, 500E / E500, E300D 124 Chassis

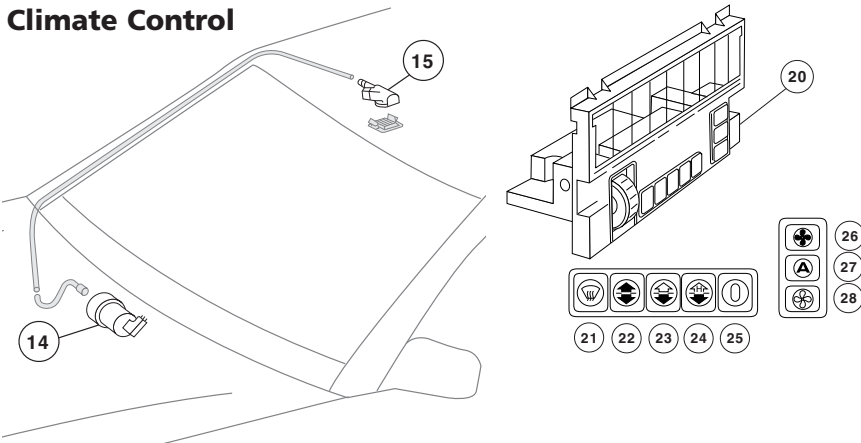
Climate Control



1. 83-347 Condenser 1986-95 '90-On All Models Except V-8	164.99 ea.	3. 13-081 AC Compress. & Clutch 1986-95, Reman, 300TE, All Models With Self Leveling Suspension To ENG# 142408 300D, TD From ENG# 12-023876 300D 2.5 From ENG# 003245; No 4Matic E300D All Core Charge 66.00	339.99 ea.	4. 13-096 Compressor Line 1986-95 4Matic From ENG# 12-021253 300CE From '90 Thru 92	1199.99 ea.
1. 83-440 Condenser, All V-8 1986-95	394.99 ea.	3. 13-084 AC Compress. & Clutch 1986-95, Reman, 260E, 300E 2.6 From ENG# 056428 300E, TE, CE From ENG# 142409; All E320 All 4Matic Sedans/Wagons Core Charge 66.00	399.99 ea.	4. 13-098 Compressor Line 1986-95 300D 2.5 Turbo To Engine# 12-012820	497.99 ea.
1. 83-327 Condenser 1986-95 '86 To '89	197.99 ea.	4. 13-025 Compressor Line 1986-95 260E To ENG# 12-056426 300E, 300 CE To ENG# 12-142408	269.99 ea.	4. 13-099 Compressor Line 1986-95 300D 2.5 Turbo From Engine# 12-012821	619.99 ea.
2. 83-276 Receiver Drier 1986-95 All Models Except V-8	19.99 ea.	4. 13-026 Compressor Line 1986-95 260E From ENG# 12-056427 To '90 300E From ENG# 12-142409 To '90 300CE From ENG# 12-142409 To '89	579.99 ea.	4. 13-101 Compressor Line 1986-95 300E 2.8; 300E, CE, TE From '93; All E320	1299.99 ea.
2. 83-428 Receiver Drier 1986-95 All V-8	41.99 ea.	4. 13-032 Compressor Line 1986-95 300E 2.6; 300E, TE '90 To 92 4Matic To ENG# 12-021252	1299.99 ea.	4. 13-100 Compressor Line 1986-95 All V-8 Models	739.99 ea.
3. 13-088 AC Compress. & Clutch 1986-95, Reman, 400E To Engine# 12-006401 500E To Engine# 12-006122 Core Charge 66.00	419.99 ea.			4. 13-023 Compressor Line 1986-95 300D, TD	83.99 ea.
3. 13-065 AC Compress. & Clutch 1986-95, Reman, 400E From Engine# 12-006402 500E From Engine# 12-006123 Core Charge 66.00	399.99 ea.			5. 83-012 Auxiliary Fan Switch 1986-95 See web for year/model	19.99 ea.
3. 13-036 AC Compress. & Clutch 1986-95, Reman, 260E, All Models To ENG# 056427 300E, CE All Models To ENG# 142408 300D, TD To ENG# 12-023875 300D 2.5 To ENG# 003244; No 4Matic Core Charge 66.00	319.99 ea.			6. 83-014 Freon Pressure Switch 1986-95 See web for year/model	10.99 ea.
				7. 83-147 Seal Ring, At Dryer 1986-95 See web for year/model	1.99 ea.
				8. 83-186 Seal Ring 1986-95 (4 Required) See web for year/model	1.99 ea.

1986-95 260E / 300E2.6, 300D2.5, 300E2.8, 300E / E320, 300CE, 300TD, 300TE, 400E / E420, 500E / E500, E300D 124 Chassis

Climate Control



- | | | |
|--|--|---|
| <p>9. 83-349 Seal Ring 1986-95
See web for year/model 0.99 ea.</p> <p>10. 83-238 AC Hose, Condenser To Drier
1986-95 All Models Except V-8 49.99 ea.</p> <p>10. 83-429 AC Hose, Condenser To Drier
1986-95 All V-8 114.99 ea.</p> <p>11. 82-146 Blower Motor, Not For Dust Filter
1986-95, See web for year/model 99.99 ea.</p> <p>11. 83-350 Blower Motor, For Dust Filter 1986-95
See web for year/model 129.99 ea.</p> <p>11A.82-537 Blower Regulator, Not For Dust Filter
1986-95, See web for year/model 169.99 ea.</p> <p>11A.82-957 Blower Regulator, For Dust Filter
1986-95, See web for year/model 224.99 ea.</p> <p>12. 83-145 Evaporator Core 1986-95
See web for year/model 199.99 ea.</p> <p>13. 83-034 Vacuum Switchover Valve 1986-95
See web for year/model 194.99 ea.</p> <p>14. 80-046 Three Way Vacuum Valve 1986-95
All Gasoline Models '86 To '89 5.99 ea.</p> <p>14. 83-179 Three Way Vacuum Valve 1986-95
All Diesel Models '87 11.99 ea.</p> <p>9. 83-349 Seal Ring 1986-95
See web for year/model 0.99 ea.</p> <p>10. 83-238 AC Hose, Condenser To Drier
1986-95 All Models Except V-8 49.99 ea.</p> | <p>10. 83-429 AC Hose, Condenser To Drier
1986-95 All V-8 114.99 ea.</p> <p>11. 82-146 Blower Motor, Not For Dust Filter
1986-95, See web for year/model 99.99 ea.</p> <p>11. 83-350 Blower Motor, For Dust Filter 1986-95
See web for year/model 129.99 ea.</p> <p>11A.82-537 Blower Regulator, Not For Dust Filter
1986-95, See web for year/model 169.99 ea.</p> <p>11A.82-957 Blower Regulator, For Dust Filter
1986-95, See web for year/model 224.99 ea.</p> <p>12. 83-145 Evaporator Core 1986-95
See web for year/model 199.99 ea.</p> <p>13. 83-034 Vacuum Switchover Valve 1986-95
See web for year/model 194.99 ea.</p> <p>14. 80-046 Three Way Vacuum Valve 1986-95
All Gasoline Models '86 To '89 5.99 ea.</p> <p>14. 83-179 Three Way Vacuum Valve 1986-95
All Diesel Models '87 11.99 ea.</p> <p>14. 83-179 Three Way Vacuum Valve 1986-95
All Models '90 To '95 Except V-8 11.99 ea.</p> <p>14. 80-046 Three Way Vacuum Valve 1986-95
All V-8 5.99 ea.</p> <p>15. 83-149 O-Ring Seal 1986-95
See web for year/model 1.99 ea.</p> <p>16. 83-153 O-Ring Seal 1986-95
See web for year/model 1.99 ea.</p> | <p>17. 83-152 O-Ring Seal 1986-95
See web for year/model 1.99 ea.</p> <p>18. 83-108 Expansion Valve 1986-95
See web for year/model 19.99 ea.</p> <p>19. 83-348 Dust Filter, Pair 1986-95
See web for year/model 26.99 pr.</p> <p>20. 83-118 Push Button Control Unit 1986-95,
New, 260E '87
300E '86 To '87 577.99 ea.</p> <p>20. 83-118R Push Button Control Unit 1986-95,
Rebuilt, 260E '87
300E '86 To '87
Core Charge 50.00 257.99 ea.</p> <p>20. 83-332 Push Button Control Unit 1986-95,
New, All Models 1988-On, Gas & Diesel
442.99 ea.</p> <p>20. 83-332R Push Button Control Unit 1986-95,
Rebuilt, All Models 1988-On, Gas & Diesel
Core Charge 50.00 354.99 ea.</p> <p>20. 83-311 Push Button Control Unit 1986-95,
New, All Diesel Models '87 719.99 ea.</p> <p>20. 83-311R Push Button Control Unit 1986-95,
Rebuilt, All Diesel Models '87
Core Charge 50.00 259.99 ea.</p> <p>21. 83-005 Defrost Button 1986-95
See web for year/model 12.99 ea.</p> <p>22. 83-004 Overall Ventilation 1986-95
See web for year/model 17.99 ea.</p> <p>23. 83-003 Compressor "On" Button 1986-95
See web for year/model 17.99 ea.</p> <p>24. 83-002 Compressor "Off" Button 1986-95
See web for year/model 17.99 ea.</p> <p>25. 83-158 "Off" Button 1986-95
See web for year/model 17.99 ea.</p> <p>26. 83-175 Blower Max Button 1986-95
See web for year/model 17.99 ea.</p> <p>27. 83-191 Auto Blower Button 1986-95
See web for year/model 17.99 ea.</p> <p>28. 83-212 Blower Minimum Button 1986-95
See web for year/model 17.99 ea.</p> <p>29. 83-176 Temperature Sensor Fan 1986-95
All Models Except Convertible 63.99 ea.</p> <p>30. 83-177 Temperature Sensor, Overhead
1986-95, All Models Except Convertible
33.99 ea.</p> |
|--|--|---|

1986-95 260E / 300E2.6, 300D2.5, 300E2.8, 300E / E320, 300CE, 300TD, 300TE, 400E / E420, 500E / E500, E300D 124 Chassis

Heating System

See Illustration On Next Page

- | | | |
|--|---|--|
| <p>1. 83-156 Auxiliary Water Pump 1986-95
260E '87 To '89
300E 2.6; 300E '86 To '91
300CE '86 To '91; 300TE '86 To '91
300D 2.5 Turbo '90 To '91
All V-8's 137.99 ea.</p> <p>1. 83-460 Auxiliary Water Pump 1986-95
300E 2.6; 300E '92
300CE '92; 300TE '92
300D 2.5 Turbo '92 249.99 ea.</p> <p>2. 83-326 Heater Valve 1986-95
300E 2.6; 300E, CE, TE '86 To '90
300D 2.5 Turbo '93 147.99 ea.</p> <p>2. 83-285 Heater Valve 1986-95
300E 2.6; 300E, CE, TE '91
V-8 Up To VIN# C096886 139.99 ea.</p> | <p>2. 83-432 Heater Valve 1986-95
V-8 From VIN# C096887 317.99 ea.</p> <p>3. 83-286 Heater Valve (W/Aux Water Pump)
1986-95, 300E 2.8; 300E, TE From '93;
All E320 291.99 ea.</p> <p>3. 83-287 Heater Valve (W/Aux Water Pump)
1986-95, 300D 2.5 Turbo '93;
E300D '95 489.99 ea.</p> <p>4. 83-333 Heater Hose 1986-95
260E '87; 300E '86 26.99 ea.</p> <p>4. 83-338 Heater Hose 1986-95
All Diesel Models '87 22.99 ea.</p> <p>5. 83-334 Heater Hose 1986-95
260E '87, 300E '86 14.99 ea.</p> <p>6. 83-335 Heater Hose 1986-95
260E '87 To '88
300E '87 To '88
300TE '88; 300CE Coupe '88 11.99 ea.</p> | <p>6. 83-335 Heater Hose 1986-95
300E 2.6; 300E, TE '89 To '92 11.99 ea.</p> <p>6. 83-434 Heater Hose 1986-95
300E 2.8; 300E, '93 To '95; All E320 14.99 ea.</p> <p>7. 83-339 Heater Hose 1986-95
260E '87; 300E '86 9.99 ea.</p> <p>7. 83-340 Heater Hose 1986-95
260E '87 To '88
300E '87 To '88; 300TE '88
300CE Coupe '88 To '89 9.99 ea.</p> <p>8. 83-436 Heater Hose 1986-95
300D 2.5 Turbo '90 To '93 71.99 ea.</p> <p>9. 83-341 Heater Hose 1986-95
300E 2.6; 300E, CE, TE;
All '86 To '90 11.99 ea.</p> |
|--|---|--|

1986-95 Continued On Next Page

Air Conditioning & Heater

1986-95 260E / 300E2.6, 300D2.5, 300E2.8, 300E / E320, 300CE, 300TD, 300TE, 400E / E420, 500E / E500, E300D 124 Chassis

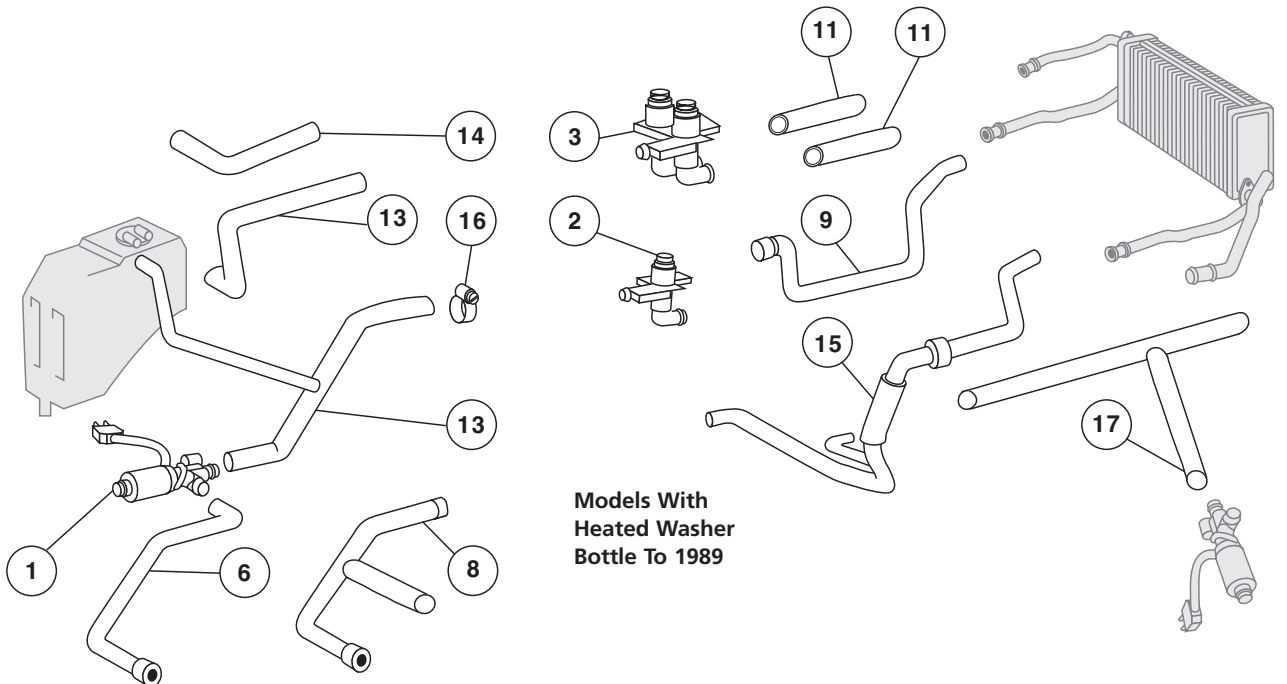
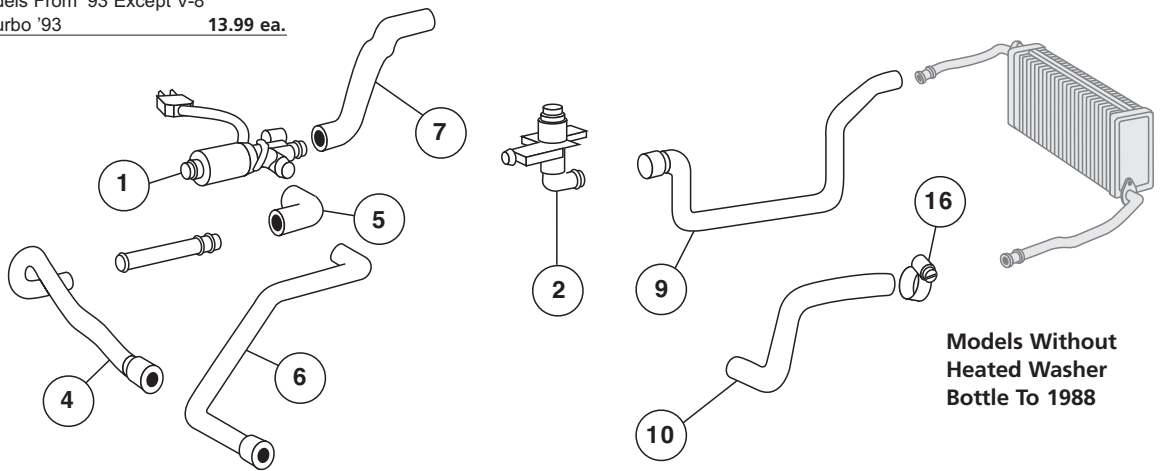
1986-95 Continued

Heating System

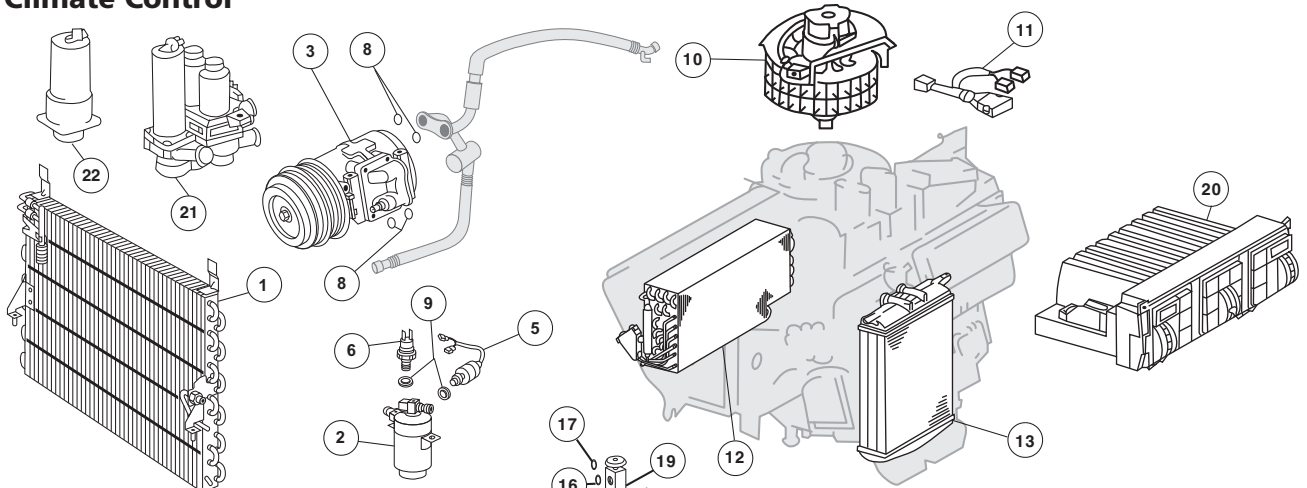
- 10. **83-342** Heater Hose 1986-95
260E '86; 300E '86 **19.99 ea.**
- 10. **83-343** Heater Hose 1986-95
260E '87 To '88
300E '87 To '88
300TE '88; 300CE Coupe '88 **5.99 ea.**
- 11. **83-433** Heater Hose, Right 1986-95
300E 2.6; 300E, CE, TE '91 To '92 **27.99 ea.**
- 11. **83-437** Heater Hose, Left 1986-95
300E 2.6; 300E, CE, TE '91 To '92 **11.99 ea.**
- 10. **83-439** Heater Hose, Left 1986-95
All Gas Models From '93 Except V-8
300D 2.5 Turbo '93 **13.99 ea.**
- 11. **83-431** Heater Hose, Right 1986-95
All Gas Models From '93 Except V-8
300D 2.5 Turbo '93 **13.99 ea.**

- 17. **83-346** Heater Hose 1986-95
All Diesel Models '87 **13.99 ea.**
- 13. **83-336** Heater Hose 1986-95
300E 2.6; 300E '89 To '91
300CE '89 To '91
300TE '89 To '91 **27.99 ea.**
- 13. **83-340** Heater Hose 1986-95
300CE 1991-92
300TE '91 To '92
300E 2.6; 300E '91 To '92 **9.99 ea.**
- 14. **83-337** Heater Hose 1986-95
300E 2.6; 300E, TE '89 To VIN# B527022 **15.99 ea.**
- 14. **83-288** Heater Hose 1986-95
300E 2.6; 300E, TE From VIN# B527023 **14.99 ea.**

- 15. **83-344** Heater Hose 1986-95
300E 2.6; 300E, CE, TE '89 To '92 **34.99 ea.**
- 15. **83-351** Heater Hose 1986-95
300E 2.8; 300E, CE, TE From '93;
All E320 **59.99 ea.**
- 16. **98-002** Hose Clamp 1986-95
All Heater Hoses **1.99 ea.**
- 17. **83-352** Heater Hose 1986-95
300D 2.5 Turbo To 02/93 **104.99 ea.**
- 17. **83-353** Heater Hose 1986-95
300D 2.5 Turbo From 02/93 **61.99 ea.**
- 17. **83-354** Heater Hose 1986-95
E300D '95 **81.99 ea.**
- 17. **83-355** Heater Hose 1986-95
V-8 Models Up To VIN# C096886 **61.99 ea.**
- 17. **83-356** Heater Hose 1986-95
V-8 Models From VIN# C096887 **71.99 ea.**



Climate Control



1. 83-366 Condenser 1992-99 All Models 134.99 ea.		17. 83-147 O-Ring Seal 1992-99 See web for year/model 1.99 ea.
2. 83-383 Receiver Drier 1992-99 All Models '92 To '95 39.99 ea.		16. 83-153 O-Ring Seal 1992-99 See web for year/model 1.99 ea.
2. 83-456 Receiver Drier 1992-99 All Models '96 To '99 40.99 ea.		17. 83-147 O-Ring Seal 1992-99 See web for year/model 1.99 ea.
3. 13-117 AC Compress. & Clutch 1992-99, Reman, 6 Cylinder '92 To '96 Core Charge 66.00 499.99 ea.	3. 13-117 AC Compress. & Clutch 1992-99, Reman, V-12 '92 To '99 Core Charge 66.00 499.99 ea.	18. 83-152 O Ring Seal 1992-99 See web for year/model 1.99 ea.
3. 13-106 AC Compress. & Clutch 1992-99, Reman, 6 Cylinder '97 To '99 Core Charge 66.00 419.99 ea.	5. 83-457 Temperature Sensor 1992-99 '96 To '99 41.99 ea.	19. 83-108 Expansion Valve 1992-99 '92 To '96 19.99 ea.
3. 13-083 AC Compress. & Clutch 1992-99, Reman, All Diesels '92 - Eng.# 12 018393 Core Charge 66.00 397.99 ea.	6. 83-458 Freon Press. Switch 1992-99 All Models 59.99 ea.	19. 83-393 Expansion Valve 1992-99 '97 To '99 29.99 ea.
3. 13-117 AC Compress. & Clutch 1992-99, Reman, All Diesels From Eng.# 12 018394 - '98 Core Charge 66.00 499.99 ea.	8. 83-186 O-Ring Seals 1992-99, 4 Req. See web for year/model 1.99 ea.	20. 83-387R Push Button Control Unit 1992-99, Rebuilt, '92 Sedans Core Charge 100.00 519.99 ea.
3. 13-116 AC Compress. & Clutch 1992-99, Reman, V-8 '92 (8 Groove Pulley) Core Charge 100.00 499.00 ea.	9. 83-349 Seal Ring 1992-99 See web for year/model 0.99 ea.	20. 83-455 Push Button Control Unit 1992-99, New, '93 To '95 Sedans & Coupes 1359.99 ea.
3. 13-115 AC Compress. & Clutch 1992-99, Reman, V-8 '93 To '95 (6 Groove Pulley) Core Charge 66.00 449.99 ea.	10. 83-386 Blower Motor 1992-99 See web for year/model 269.99 ea.	20. 83-455A Push Button Control Unit 1992-99, Rebuilt, '93 To '95 Sedans & Coupes Core Charge 50.00 619.99 ea.
3. 13-120 AC Compress. & Clutch 1992-99, New V-8 '96 499.99 ea.	11. 83-470 Blower Motor Regulator 1992-99 See web for year/model 79.99 ea.	20. 83-384 Push Button Control Unit 1992-99, New, '96 To '99 1119.99 ea.
3. 13-106 AC Compress. & Clutch 1992-99, Reman, V-8 '97 To '99 Core Charge 66.00 419.99 ea.	12. 83-471 Evaporator Core 1992-99 See web for year/model 404.99 ea.	21. 83-367 Electromagntic Heater Valve 1992-99 No Rear AC Controls See web for year/model 599.99 ea.
	13. 83-469 Heater Core 1992-99 '92 To VIN # A133638 237.99 ea.	22. 83-368 Pump For Heater Valve 1992-99 See web for year/model 284.99 ea.
	13. 83-472 Heater Core 1992-99 From VIN # A133639 264.99 ea.	
	15. 83-149 O-Ring Seal 1992-99 See web for year/model 1.99 ea.	
	16. 83-153 O-Ring Seal 1992-99 See web for year/model 1.99 ea.	

Climate Control

See Illustration On Next Page

1. 83-551 Condenser 1990-02 300SL, 500SL 1990-91 (R-12 Freon) 419.99 ea.	2. 83-553 Receiver Drier 1990-02 All Models '97 To '02 149.99 ea.	3. 13-065 AC Compress. & Clutch 1990-02, Reman, V-8 '90 To '96 (Six Groove Clutch Pulley) Core Charge 66.00 399.99 ea.
1. 83-451 Condenser, 1992-02 All Models Except V-12 (R134A Freon) 339.99 ea.	3. 13-084 AC Compress. & Clutch 1990-02, Reman, 6 Cylinder '90 To '96 Core Charge 66.00 399.99 ea.	3. 13-066 AC Compress. & Clutch, 1990-02 New V-8 '97 To '98 1149.99 ea.
1. 83-552 Condenser, 1992-02 V-12 (R-134A) 519.99 ea.	3. 13-117 AC Compress. & Clutch 1990-02, Reman, V-12 '93 To '96 Core Charge 66.00 499.99 ea.	3. 13-129 AC Compress. & Clutch, 1990-02 New V-8 '99 To '02 1149.99 ea.
2. 83-554 Receiver Drier 1990-02 All Models '90 To '96 21.99 ea.	3. 13-049 AC Compress. & Clutch, 1990-02 New V-12 '97 To '02 1990-02 New 6 Cylinder '90 To '96 1099.99 ea.	5. 82-789 Temperature Sensor 1990-02 '90 To '98 15.99 ea.

1990-02 Continued On Next Page

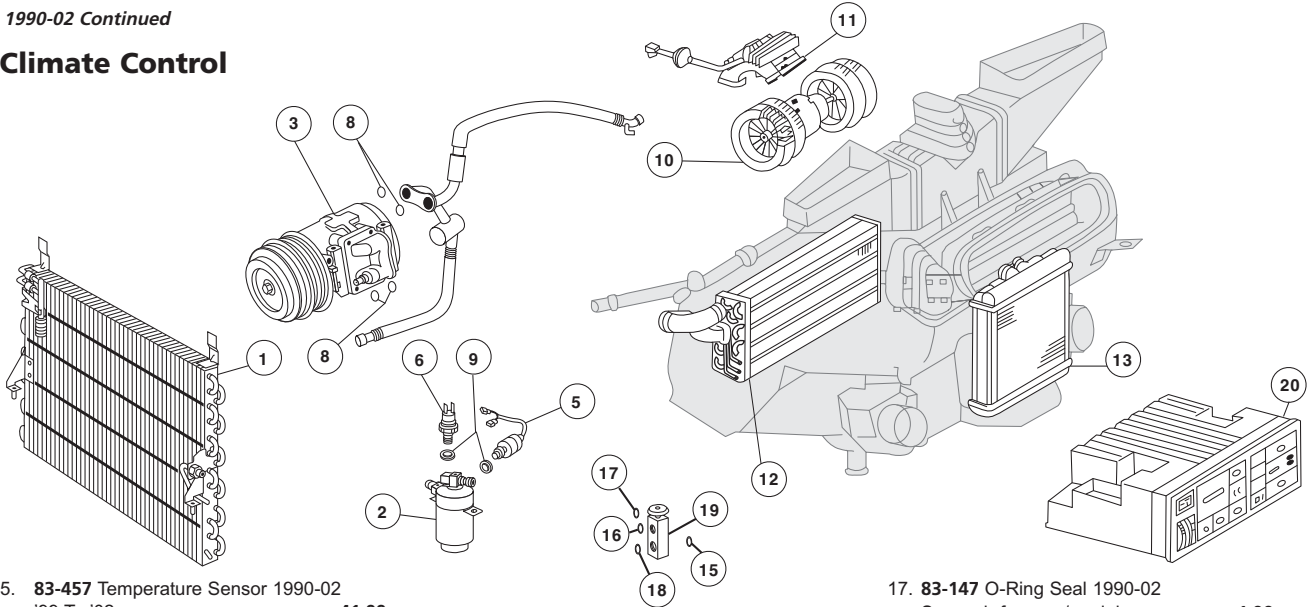
Air Conditioning & Heater

1990-02 300SL / SL320, 500SL / SL500, 600SL / SL600

129 Chassis

1990-02 Continued

Climate Control



5. 83-457 Temperature Sensor 1990-02 '99 To '02	41.99 ea.
6. 83-014 Freon Press. Switch 1990-02 '90 To '98	10.99 ea.
6. 83-458 Freon Press. Switch 1990-02 All Models '99 To '02	59.99 ea.
8. 83-186 O-Ring Seals 1990-02, 4 Req. See web for year/model	1.99 ea.
9. 83-349 Seal Ring 1990-02 See web for year/model	0.99 ea.
10. 82-790 Blower Motor 1990-02 See web for year/model	249.99 ea.

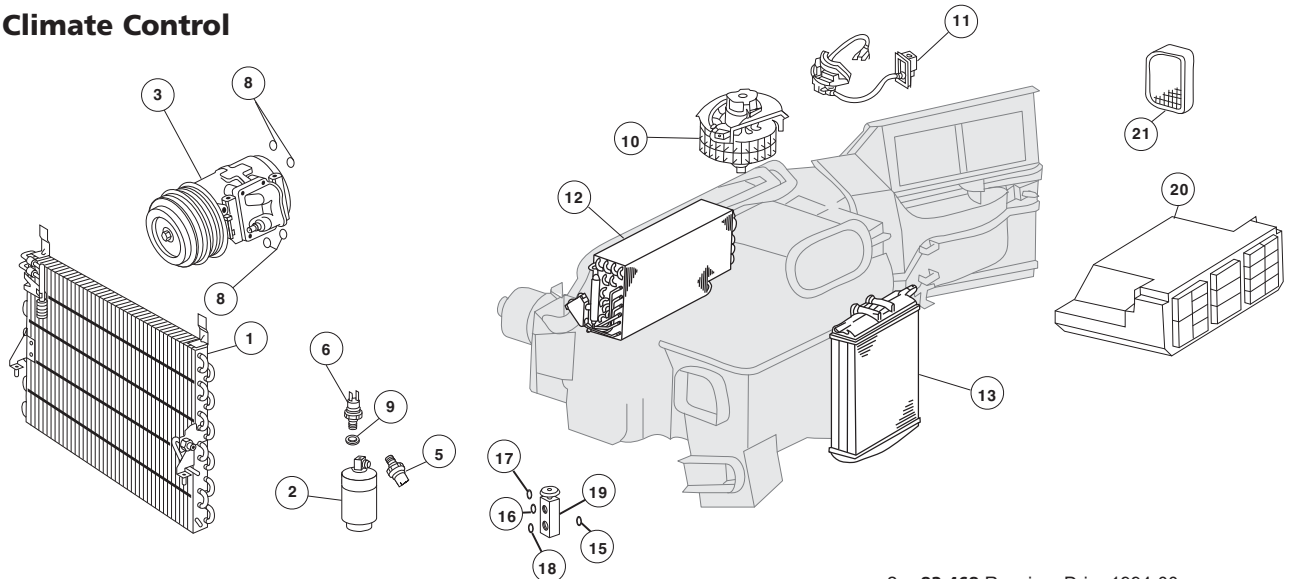
11. 82-791 Blower Motor Regulator 1990-02 See web for year/model	299.99 ea.
12. 83-461 Evaporator Core 1990-02 See web for year/model	349.99 ea.
13. 83-555 Heater Core 1990-02 See web for year/model	199.99 ea.
15. 83-149 O-Ring Seal 1990-02 See web for year/model	1.99 ea.
16. 83-153 O-Ring Seal 1990-02 See web for year/model	1.99 ea.

17. 83-147 O-Ring Seal 1990-02 See web for year/model	1.99 ea.
18. 83-152 O Ring Seal 1990-02 See web for year/model	1.99 ea.
19. 83-393 Expansion Valve, 1990-02 SL500 '98 To '02	29.99 ea.
19. 83-108 Expansion Valve 1990-02, All Others See web for year/model	19.99 ea.
20. 83-446 Push Button Control Unit 1990-02, New, All Models '90 To '96	1029.99 ea.
20. 83-556 Push Button Cont Unit 1990-02, New, All Models '97 To '02	819.99 ea.

1994-00 C220, C230, C230K, C280, C36, C43

202 Chassis

Climate Control



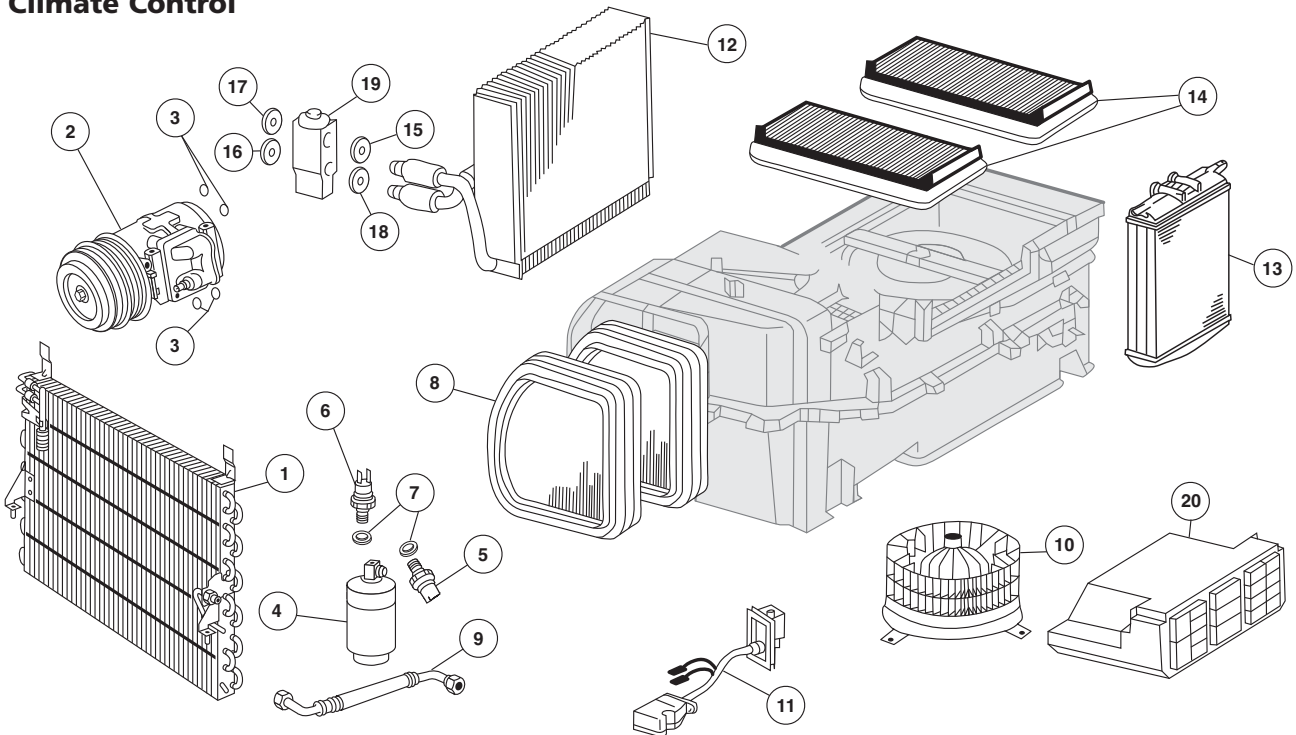
1. 83-450 Condenser 1994-00 '94 To '98 C220, C43, C280	145.99 ea.
1. 83-254 Condenser 1994-00 '99 To '00 C230, C280	165.99 ea.

1. 83-256 Condenser 1994-00 C230 Kompressor	119.99 ea.
2. 83-390 Receiver Drier 1994-00 All Models '94 To '95	29.99 ea.

2. 83-468 Receiver Drier 1994-00 All Models '96 To '00	31.99 ea.
3. 13-103 AC Compress. & Clutch 1994-00, Reman, All Models '94 To '95 Core Charge 66.00	499.99 ea.

3. 13-106 AC Compress. & Clutch 1994-00, Rebuilt, All Models '96 To '00 Core Charge 66.00 419.99 ea.	11. 82-305 Blower Motor Reg 1994-00 All Models '94 To '95 146.99 ea.	17. 83-147 O-Ring Seal 1994-00 See web for year/model 1.99 ea.
5. 83-457 Temperature Sensor 1994-00 '96 To '00 41.99 ea.	11. 82-306 Blower Motor Regulator 1994-00 All Models '96 To '00 89.99 ea.	18. 83-152 O Ring Seal 1994-00 See web for year/model 1.99 ea.
6. 83-458 Press.Switch 1994-00 '90 To '98 59.99 ea.	12. 83-188 Evaporator Core 1994-00 See web for year/model 269.99 ea.	19. 83-393 Expansion Valve 1994-00 See web for year/model 29.99 ea.
8. 83-186 O-Ring Seals 1994-00, 4 Req. See web for year/model 1.99 ea.	13. 83-261 Heater Core 1994-00 All Models '94 To '95 161.99 ea.	20. 83-469R Push Button Control Unit 1994-00, Rebuilt, All Models '94 To '95 Core Charge 75.00 419.99 ea.
9. 83-349 Seal Ring 1994-00 See web for year/model 0.99 ea.	13. 83-262 Heater Core 1994-00 All Models '96 To '00 187.99 ea.	20. 83-556 Push Button Cont Unit 1994-00, New All Models '96 To '00 819.99 ea.
10. 82-303 Blower Motor 1994-00 All Models '94 To '95 289.99 ea.	15. 83-149 O-Ring Seal 1994-00 See web for year/model 1.99 ea.	21. 83-453 Interior Dust Filter 1994-00 See web for year/model 15.99 ea.
10. 82-304 Blower Motor 1994-00 All Models '96 To '00 139.99 ea.	16. 83-153 O-Ring Seal 1994-00 See web for year/model 1.99 ea.	

Climate Control



1. 83-452 Condenser 1996-02 All Models Except E300D Turbo 134.99 ea.	8. 83-463 Charcoal Filters 1996-02 (Pair) See web for year/model 88.99 pr.	14. 83-462 Dust Filters 1996-02 (Pair) See web for year/model 13.99 pr.
1. 83-475 Condenser 1996-02 E300D Turbo 169.99 ea.	9. 83-400 AC Hose 1996-02 Receiver Drier To Condenser See web for year/model 41.99 ea.	15. 83-149 O-Ring Seal 1996-02 See web for year/model 1.99 ea.
2. 13-106 AC Compress & Clutch 1996-02 Reman, All Models Core Charge 66.00 419.99 ea.	10. 82-727 Blower Motor 1996-02 All Models '96 To '99 349.99 ea.	16. 83-153 O-Ring Seal 1996-02 See web for year/model 1.99 ea.
3. 83-186 O-Ring Seals 1996-02, 4 Req. See web for year/model 1.99 ea.	10. 82-814 Blower Motor 1996-02 All Models '00 To '02 239.99 ea.	17. 83-147 O-Ring Seal 1996-02 See web for year/model 1.99 ea.
4. 83-399 Receiver Drier 1996-02 All Models * 24.99 ea.	11. 82-835 Blower Motor Regulator 1996-02 All Models '96 To '99 ** 419.99 ea.	18. 83-152 O-Ring Seal 1996-02 See web for year/model 1.99 ea.
5. 83-457 Temperature Sensor 1996-02 See web for year/model 41.99 ea.	11. 82-832 Blower Motor Regulator 1996-02 All Models '00 To '02 72.99 ea.	19. 83-393 Expansion Valve 1996-02 All Models 29.99 ea.
6. 83-458 Press. Switch 1996-02 See web for year/model 59.99 ea.	12. 83-474 Evaporator Core 1996-02 See web for year/model 399.99 ea.	20. 83-454 Push Button Control Unit 1996-02 All Models 899.99 ea.
7. 83-349 Seal Ring 1996-02 See web for year/model 0.99 ea.	13. 83-262 Heater Core 1996-02 All Models 187.99 ea.	

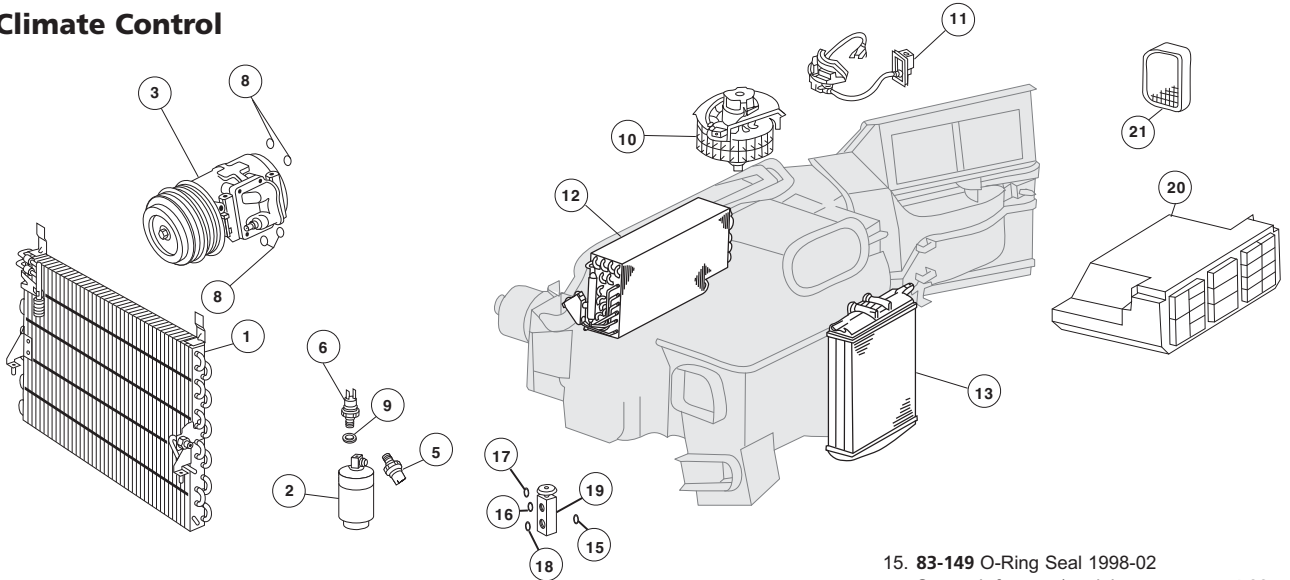
*All Models To Vin# A 160165 or J023680...
Add 1 Of Part 83-400.
**Original Part Is N/a. Replacement Requires Multiple Parts As Per Mercedes-Benz Of N. America.

Air Conditioning & Heater

1998-02 CLK320, CLK430, CLK55

208 Chassis

Climate Control

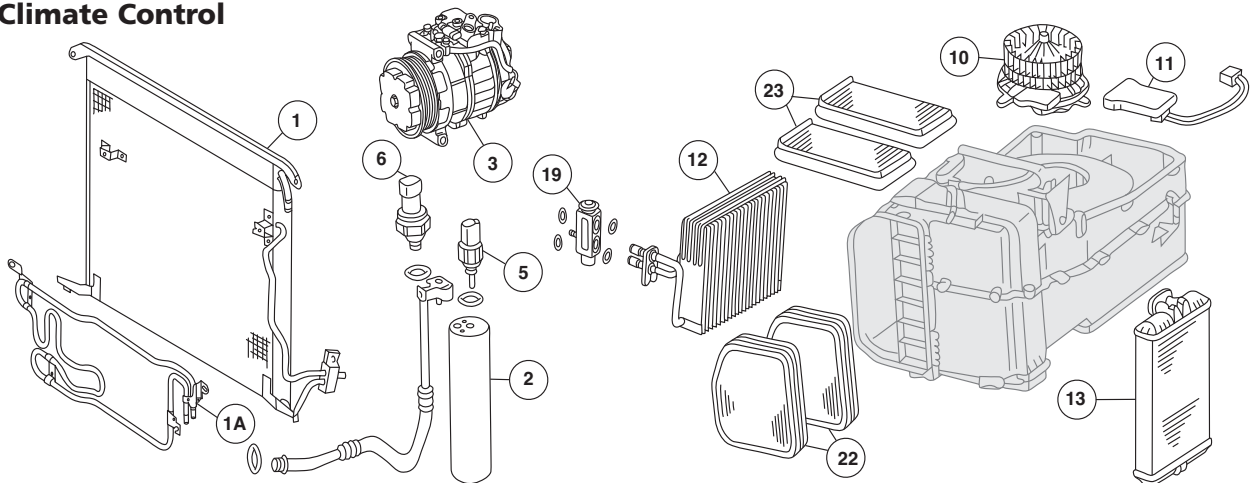


1. 83-254 Condenser 1998-02 CLK320	165.99 ea.	8. 83-186 O-Ring Seals 1998-02, 4 Req. See web for year/model	1.99 ea.	15. 83-149 O-Ring Seal 1998-02 See web for year/model	1.99 ea.
1. 83-450 Condenser 1998-02 CLK430, CLK55	145.99 ea.	9. 83-349 Seal Ring 1998-02 See web for year/model	0.99 ea.	16. 83-147 O-Ring Seal 1998-02 See web for year/model	1.99 ea.
2. 83-468 Receiver Drier 1998-02 All Models	31.99 ea.	10. 82-304 Blower Motor 1998-02 All Models	139.99 ea.	17. 83-147 O-Ring Seal 1998-02 See web for year/model	1.99 ea.
3. 13-106 AC Compress. & Clutch 1998-02 Rebuilt Core Charge 66.00	419.99 ea.	11. 82-306 Blower Motor Reg 1998-02 All Models	89.99 ea.	18. 83-152 O-Ring Seal 1998-02 See web for year/model	1.99 ea.
5. 83-457 Temperature Sensor 1998-02 See web for year/model	41.99 ea.	12. 83-188 Evaporator Core 1998-02 All Models	269.99 ea.	19. 83-393 Expansion Valve 1998-02 See web for year/model	29.99 ea.
6. 83-458 Press. Switch 1998-02 See web for year/model	59.99 ea.	13. 83-262 Heater Core 1998-02 All Models	187.99 ea.	20. 83-491 Push Button Control Unit 1998-02 All Models	1199.99 ea.
				21. 83-453 Interior Dust Filter 1998-02 See web for year/model	15.99 ea.

2000-06 S350, S430, S500, S600, S55

220 Chassis

Climate Control



1. 83-488 Condenser 2000-06 All Models	279.99 ea.	3. 13-123 AC Compress 2000-06, Rebuilt S430, S500, S55 '01 To '02 Core Charge 66.00	499.99 ea.	1. 83-488 Condenser 2000-06 All Models	279.99 ea.
1A. 46-274 Steer Fluid Cooling Pipe* 2000-06 All Models	124.99 ea.	5. 83-457 Temperature Sensor 2000-06 See web for year/model	41.99 ea.	1A. 46-274 Steer Fluid Cooling Pipe* 2000-06 All Models	124.99 ea.
2. 83-481 Receiver Drier 2000-06 All Models	41.99 ea.			2. 83-481 Receiver Drier 2000-06 All Models	41.99 ea.

2000-06 S350, S430, S500, S600, S55

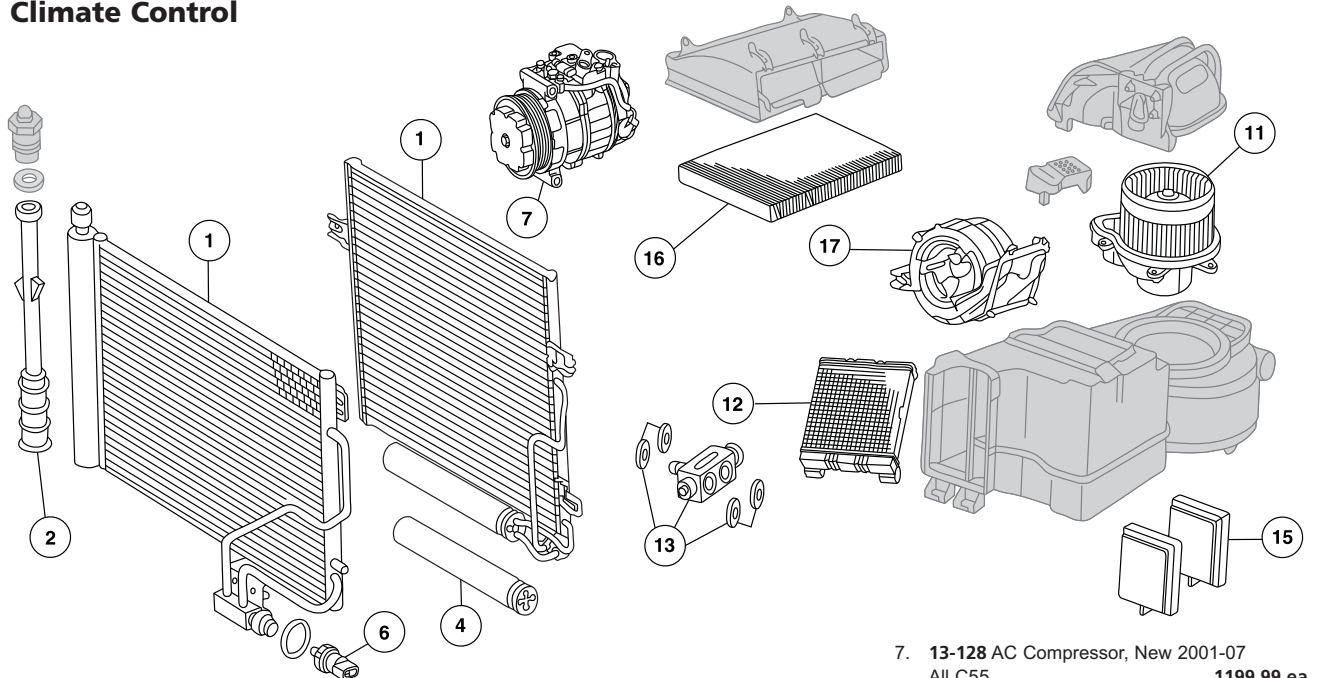
220 Chassis

3. 13-123 AC Compress 2000-06, Rebuilt S430, S500, S55 '01 To '02 Core Charge 66.00 499.99 ea.	12. 83-485 Evaporator Core 2000-06 2000 Only 409.99 ea.	19. 83-480 Expansion Valve 2000-06 W/4 O-Rings All Models From VIN.# A102764 35.99 ea.	
5. 83-457 Temperature Sensor 2000-06 See web for year/model 41.99 ea.	12. 83-486 Evaporator Core 2000-06 '01 To '02 209.99 ea.	22. 83-462 Interior Dust Filter 2000-06 All Models (Pack Of 2) 13.99 pr.	
6. 83-458 Press. Switch 2000-06 See web for year/model 59.99 ea.	12. 83-487 Evaporator Core 2000-06 '03 To '06 375.99 ea.	23. 83-463 Activated Charcoal Filter 2000-06 (Pack Of 2) See web for year/model 88.99 pr.	
10. 83-483 Blower Motor 2000-06 All Models 329.99 ea.	13. 83-482 Heater Core 2000-06 All Models 207.99 ea.	* Please Order This Cooling Pipe When Replacing Condensor On 2000-01 Model Year Vehicle ^S .	
11. 83-484 Blower Motor Regulator 2000-06 All Models 206.99 ea.	19. 83-479 Expansion Valve 2000-06 W/4 O-Rings All Models To VIN.# A102763 35.99 ea.		

2001-07 C230, C240, C320, C350, C32, C55

203 Chassis

Climate Control



1. 83-506 Condenser 2001-07 All Models Thru '04 Except: C55 Thru '05 149.99 ea.	7. 13-123 AC Compressor 2001-07 Rebuilt C230K Coupe '02; C240/C320 Sdn/Cpe/Wgn Inc 4Matic To VIN# A507495, F410068, R108312 Core Charge 66.00 499.99 ea.	7. 13-128 AC Compressor, New 2001-07 All C55 1199.99 ea.
1. 83-507 Condenser 2001-07 All Models '05 To '07 Except C55 '06 To VIN# F827273, R243404 189.99 ea.	7. 13-150 AC Compressor 2001-07 New C240/C320 Sdn/Cpe/Wgn Inc 4Matic From VIN# A507496, F410069, R108313 Thru '04 379.99 ea.	11. 82-874 Blower Motor 2001-07 All Models 159.99 ea.
1. 83-513 Condenser 2001-07 C55 From VIN# F827274, R243405 329.99 ea.	7. 13-125 AC Compressor 2001-07 New C240/C320 Sdn/Cpe/Wgn Inc 4Matic From '05 380.99 ea.	12. 83-501 Heat Exchanger 2001-07 All Models, (Requires 2) Seal Rings 83-502 164.99 ea.
2. 83-508 Receiver Dryer 2001-07 All Models Thru '04, Requires 1) 83-510 O-Ring 21.99 ea.	7. 13-124 AC Compressor 2001-07, New C230K Sedans & Coupes '03 To '05 1049.99 ea.	13. 83-479 Expansion Valve 2001-07 Inc. All O-Rings, C240/C320/C230K/C32 Sdn/Cpe/Wgn Inc 4Matic To VIN# A339770, F284050, R070868 35.99 ea.
4. 83-509 Receiver Drier 2001-07 All Models '05 To '07, Requires 1) 83-147 O-Ring 44.99 ea.	7. 13-127 AC Compressor, New 2001-07 C230/C280/C350 Sedans Inc 4Matic, '06 From VIN# A793763, F723555, R186467 1119.99 ea.	13. 83-480 Expansion Valve 2001-07 Inc. All O-Rings, C240/C320/C230K/C32 Sdn/Cpe/Wgn Inc 4Matic From VIN# A339771, F284051, R070869 35.99 ea.
6. 83-511 Temp. Sensor 2001-07 C230 Cpe/Sdn '02 To '04; C240/C320 Sdn/Cpe/Wgn Inc. 4Matic '01 To '04; All C32 79.99 ea.	7. 13-126 AC Compressor, New 2001-07 All C32 1099.99 ea.	15. 83-503 Activated Charcoal Filters 2001-07 Only Models With 581 Code (Auto Climate Control) Need VIN # 54.99 pr.
6. 83-512 Pressure Sensor 2001-07 C230K Cpe/Sdn '05; C240/C320 Sdn/Cpe/ Wgn Inc 4Matic '05 51.99 ea.		16. 83-504 Dust Filter 2001-07 All Models 7.99 ea.
		17. 83-505 Booster Blower Motor 2001-07 Only Models With Codes 589, 589/581 (No Coupes) Need VIN # 154.99 ea.